

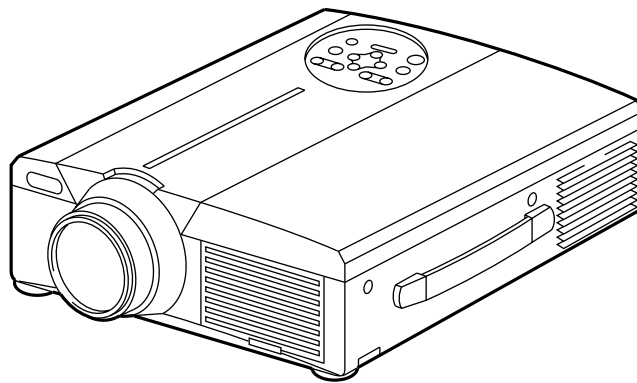
Liquid Crystal Projector

Model

MP-650i

USER'S GUIDE

Thank you for purchasing this LCD projector. Please read this user's manual thoroughly to ensure correct usage. After reading, store this instruction manual in a safe place for future reference.



Outline

This LCD projector is used to project various computer signals as well as NTSC/PAL/SECAM video signals onto a screen. Little space is required for installation and large images can easily be realized.

Features

- (1) Outstanding brightness**
 The UHB lamp and high-efficiency optical system assure a high level of brightness.
- (2) Partial magnification function**
 Interesting parts of images can be magnified for closer viewing.
- (3) Distortion correction function**
 Distortion-free images are quickly available.
- (4) Power zoom and power focus.**
- (5) P in P function**
- (6) USB jack**

Contents

Page

Before Use	3
Checking the package Contents	8
Names and functions of each part	8
Installation	12
Basic operations	13
Adjustments and functions	17
Connection to the video signal terminals	22
Connection to the RGB signal terminal	22
Connecting to the USB	25
Connection to the CONTROL signal terminal	26
Example of system setup	31
Cleaning the air filter	31
Lamp	32
Message table	32
Troubleshooting	33
Specifications	34
About the warranty and after-service	35

About Trademarks

- VGA and XGA are trademarks of IBM (International Business Machines Corporation).
 - Macintosh is a registered trademark of Apple Computer Corporation of the U.S.
 - VESA and SVGA are trademarks or registered trademarks of Video Electronics Standards association.
 - Windows95 and Windows98 are registered trademarks of Microsoft Corporation in the U.S. and other countries.
- Carefully observe the trademarks and registered trademarks of all companies, even when not mentioned.

FOR THE CUSTOMERS IN U.K

THIS PRODUCT IS SUPPLIED WITH A TWO PIN MAINS PLUG FOR USE IN MAINLAND EUROPE.
FOR THE U.K PLEASE REFER TO THE NOTES ON THIS PAGE.

IMPORTANT FOR UNITED KINGDOM

WORDING FOR CLASS I EQUIPMENT INSTRUCTION BOOKS AND LABELS

The mains lead on this equipment is supplied with a moulded plug incorporating a fuse, the value of which is indicated on the pin face of the plug. Should the fuse need to be replaced, an ASTA or BSI approved BS 1362 fuse must be used of the same rating. If the fuse cover is detachable never use the plug with the cover omitted. If a replacement fuse cover is required, ensure it is of the same colour as that visible on the pin face of the plug. Fuse covers are available from your dealer.

DO NOT cut off the mains plug from this equipment. If the plug fitted is not suitable for the power points in your home or the cable is too short to reach a power point, then obtain an appropriate safety approved extension lead or consult your dealer.

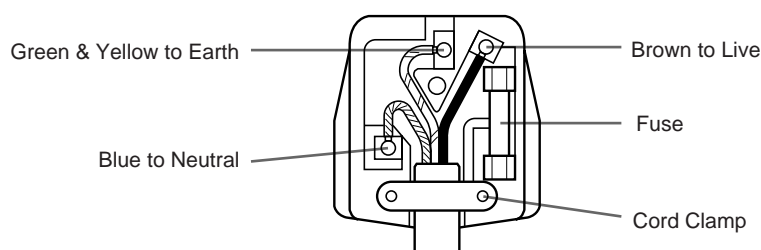
Should it be necessary to change the mains plugs, this must be carried out by a competent person, preferably a qualified electrician.

If there is no alternative to cutting off the mains plug, ensure that you dispose of it immediately, having first removed the fuse, to avoid a possible shock hazard by inadvertent connection to the mains supply.

WARNING: THIS EQUIPMENT MUST BE EARTHED **IMPORTANT:**

The wires in the mains lead are coloured in accordance with the following code:

Green and Yellow = Earth, Blue = Neutral, Brown = Live.



As these colours may not correspond with the coloured markings identifying the terminals in your plug, proceed as follows:

The wire which is coloured Green and Yellow must be connected to the terminal in the plug which is marked with the letter E or by the earth symbol \oplus or coloured Green or Green and Yellow.

The wire coloured Blue must be connected to the terminal marked with the letter N or coloured BLUE or BLACK. The wire coloured BROWN must be connected to the terminal marked with the letter L or coloured BROWN or RED.

WARNING: This equipment has been tested and found to comply with the limits for a Class A digital device, pursuant to Part 15 of the FCC Rules. These limits are designed to provide reasonable protection against harmful interference when the equipment is operated in a commercial environment. This equipment generates, uses, and can radiate radio frequency energy and, if not installed and used in accordance with the instruction manual, may cause harmful interference to radio communications, Operation of this equipment in a residential area is likely to cause harmful interference in which case the user will be required to correct the interference at his own expense.

Instructions to Users:

This equipment complies with the requirements of FCC (Federal Communication Commission) Class A equipments provided that following conditions are met.

(1) Video signal cables:

Double shielded coaxial cables (so called FCC shield cable) must be used and the outer shield must be connected to the ground. Or, if normal coaxial cables are used, the cables must be enclosed in metal pipes or similar way to reduce the interference noise radiation.

(2) Power cord:

Shielded power cord must be used. The outer shield must be connected to the ground.

(3) Video inputs:

The input signal amplitude must not exceed the specified level.

Before Use

<Before Using>

About the Symbols Various symbols are used in this instruction manual and on the product itself to ensure correct usage, to prevent danger to the user and others, and to prevent property damage. The meanings of these symbols are described below. It is important that you read these descriptions thoroughly and fully understand the contents.



Warning

This symbol indicates information that, if ignored, could possibly result in personal injury or even death due to incorrect handling.



Caution

This symbol indicates information that, if ignored, could result possibly in personal injury or physical damage due to incorrect handling.

Typical Symbols



This symbol indicates an additional warning (including cautions). An illustration is provided to clarify the contents (the illustration to the left indicates danger of electrical shock).



This symbol indicates a prohibited action. The contents will be clearly indicated in an illustration or nearby (the symbol to the left indicates that disassembly is prohibited).



This symbol indicates a compulsory action. The contents will be clearly indicated in an illustration or nearby (the symbol to the left indicates that the power plug should be disconnected from the power outlet).

[Safety Precaution]

Warning

■ If a problem should occur.

- If smoke or a strange odor arise, continued use could result in fire or electrical shock. In such case, immediately turn off the power switch and then disconnect the power plug from the power outlet. After making sure that the smoke or odor has stopped, contact your dealer for repairs. Never attempt to make repairs yourself because this is dangerous.

- Do not use this projector if there is no image or sound, or if the sound is distorted. Continued use could result in fire or electrical shock.



Disconnect the plug from the power outlet.

In such case, immediately turn off the power switch, disconnect the power plug from the power outlet and contact your dealer.

- If water should enter the inside of this projector, immediately turn off the power switch, disconnect the power plug from the power outlet and contact your dealer.

■ Do not install on an unstable surface.

- Do not install this projector on an unstable surface such as a wobbly stand or incline because this could result in the projector falling and causing injury.



■ Do not open the cabinet.

- Never open the cabinet. There is high voltage inside which can cause electrical shock. Contact your dealer for internal inspection, adjustment and repair.



Do not disassemble.



Electric shock hazard.

■ Do not modify.

- Do not modify this projector because this could result in fire or electrical shock.



Do not disassemble.

■ Do not use in the bathroom.

- Do not use this projector in the bathroom because this could result in fire or electrical shock.



Do not use near water.

■ Do not insert foreign objects.

- Do not insert metal objects through the ventilation openings, etc., of this projector or drop such objects inside because this could result in fire or electrical shock.



- If a foreign object should enter this projector, immediately turn off the power switch, disconnect the power plug from the power outlet and contact your dealer.



Disconnect the plug from the power outlet.

Continued use could result in fire or electrical shock. Use special caution in households where children are present.

■ Do not look through the lens when the lamp is on.



Never look through the lens when the lamp is on. The powerful light could adversely affect vision. Use special caution in households where children are present.

■ Avoid shock or impact on the projector.

If the projector should fall, resulting in damage to the cabinet, immediately turn off the power switch, disconnect the power plug from the power outlet and contact your dealer. Continued use could result in fire or electrical shock.



Disconnect the plug from the power outlet.

■ Do not place this projector in a container containing liquid.

Do not place flower vases, flower pots, cups, cosmetics, liquids such as water, etc., on top of this projector. Spillage could result in fire or electrical shock.



■ Use only the indicated power supply.

The use of any other power supply could result in fire or electrical shock.



Warning

■ Handle the power cord with care.

- Do not damage, cut, process or strongly twist the power cord. Placing heavy objects on the power cord, heating or strongly pulling the power cord can result in damage as well as fire or electrical shock.

- Pulling on the power cord
- Placing heavy objects on the power cord
- Damaging the cord
- Placing near heaters



- Do not position the power cord under the projector. This can damage the power cord and cause fire or electrical shock. Also, do not place a spread, cover, etc., over the power cord because this could result in the inadvertent placing of heavy objects on the concealed power cord.

- If the power cord is damaged (exposed or broken core wires, etc.), contact your dealer for replacement; otherwise, fire or electrical shock could result.

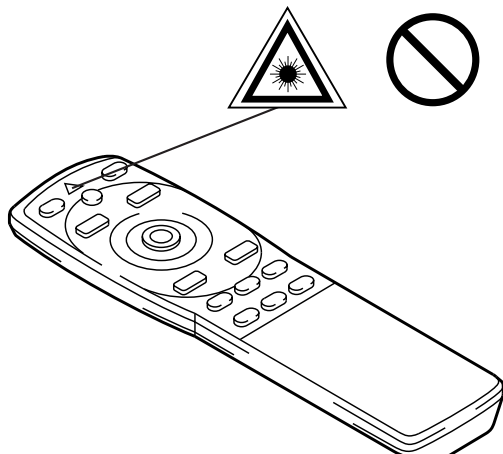


- Make sure there is no dust, etc., on the power plug and make sure that there is no looseness.

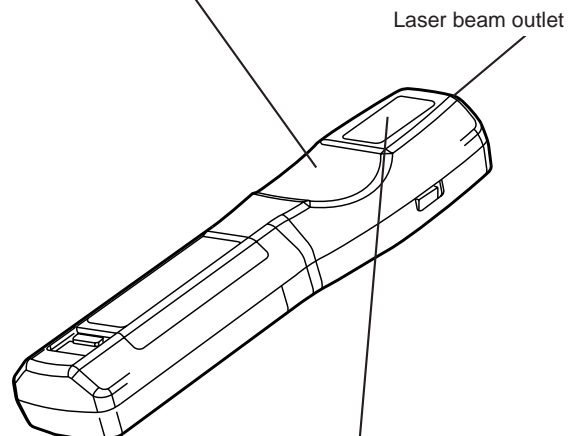
■ Do not allow the laser beam to enter the eyes.

- This remote control is equipped with a laser pointer and a laser beam is emitted from the laser outlet. Do not look directly into the laser beam outlet or direct the laser beam at other people.

Vision can be impaired if the laser beam enters the eyes. Especially pay attention if children are present.



■ High temperatures are generated when the lamp is lit, so do not place objects in front of the lens.



AVOID EXPOSURE-
LASER RADIATION IS
EMITTED FROM THIS
APERTURE

Caution

■ Do not sit or place heavy objects on this projector.

● Do not sit on this projector.

This could result in overturning, leading to damage or personal injury. Use special caution in households where children are present.



● Do not place heavy objects on this projector.

Placing heavy objects on this projector could result in loss of balance or falling and cause personal injury.

■ Do not block the ventilation openings. Do not block the ventilation openings of this projector.

Blocking ventilation could lead to internal overheating which could result in fire. Do not place this projector on its side during use or push it into a small, poorly ventilated location. Do not place this projector on a carpet or bedding or cover it with a table cloth, etc. Also, when installing this projector, make sure the ventilation openings are at least 30cm from the wall.



■ Care and maintenance.

For safety purposes, disconnect the power plug from the power outlet before starting the care and maintenance of this projector.



Disconnect the plug from the power outlet.

■ Battery usage.

● Use only the specified batteries with this projector remote. Do not mix old and new batteries because this could result in fire or personal injury due to battery cracking or leakage.



● Make sure the plus and minus terminals are correctly aligned when loading the batteries.



Incorrect loading could result in personal injury or contamination of the surroundings due to battery cracking or leakage.

■ Clean the projector interior once every two years.

Request your dealer to clean the interior of the projector approximately every two years. Accumulations of dust inside the projector can result in fire or malfunction if not cleaned for an extended period. This cleaning is more effective if performed before very humid periods. Ask your dealer for details about internal cleaning.



■ Avoid installation in humid or dusty locations.

● Do not install this projector in a humid or dusty location. This could result in fire or electrical shock.



● Avoid installation near the kitchen, a humidifier or other locations where there is oily smoke or humidity. This could result in fire or electrical shock.

■ Use the caster brakes.

When installing this projector on a stand with casters, use the caster brakes to prevent the stand from moving or overturning and causing personal injury.



■ Do not handle the power cord roughly.

● Keep the power cord away from heaters because the heat could melt the power cord and cause fire or electrical shock.

● Do not touch the power plug with wet hands because this could result in electrical shock.



● When disconnecting the power plug, do not pull on the power cord. This could damage the power cord and cause fire or electrical shock. Always grip the plug when disconnecting, not the cord.

Caution

■ When the projector is not to be used for an extended period.

For safety purposes when the projector is not to be used for an extended period because of travel, etc., always disconnect the power plug from the power outlet. Also close the lens cover to prevent the lens surface being scratched.



Disconnect the plug from the power outlet.

■ Moving the projector.

- When moving the projector, be sure to replace lens cap, disconnect the power plug from the power outlet and disconnect all external connections. Failure to do this could damage the power cord and cause fire or electrical shock.



Disconnect the plug from the power outlet.

Avoid any impact or shock to the projector because this could result in malfunction.

- When moving this projector outdoors, protect it from getting wet due to rain, etc. If the projector should become wet, dry it thoroughly before further use. Continued use while wet could result in fire or electrical shock.



[General Cautions]

■ Avoid excessively hot locations.

Do not place this projector in direct sunlight or near a hot object such as a stove, etc., because the heat could have adverse influence on the cabinet and other parts.



■ Sound volume.

Set the volume at a suitable level to avoid bothering other people. It is also better to keep the volume level low and close the windows at night to protect the neighborhood environment.

■ Lens care

Use commercially available lens tissue to clean the lens (used to clean cameras, eyeglasses, etc.). Be careful not to scratch the lens with hard objects.



■ Cabinet care.

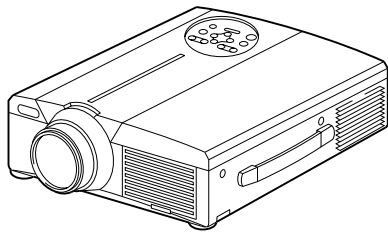
- The cabinet is made of plastic and discoloration or paint peeling can occur if wiped with a solvent such as benzine, thinner, etc.
- Before using chemical wipes, be sure to read and observe the instructions.
- Do not spray volatile substances on the cabinet. Also, do not allow long-term close contact with rubber or vinyl products because this could result in discoloration, peeling paint, etc.
- Use a soft cloth to clean the cabinet and operation panel. When excessively soiled, dilute a neutral detergent in water, wet and wring out the cloth and afterward wipe with a dry cloth. Do not apply undiluted detergent directly to the projector.

■ Extended usage.

When using this projector for an extended period, stop periodically to rest the eyes to prevent eye fatigue.

Checking the package Contents

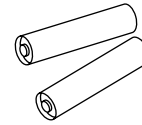
Make sure all of the following items are included in the package. If anything is missing, please contact your dealer.



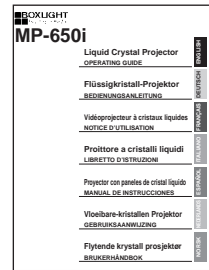
Projector unit



Remote control



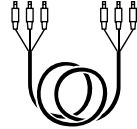
Remote control Batteries



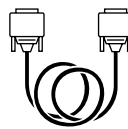
User's Guide (this document)



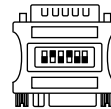
**Power Cord
110V-US
Europe**



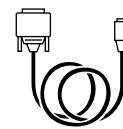
**3-Conductor
video/Audio cable**



**RGB cable
(15-15 pin M/M)**



**Mac adapter
with dip switch**



Mouse cable × 3

Names and functions of each part

Main unit

ZOOM button

Used to adjust the size of the image. (Refer to page 13.)

MUTE button

This button turns the sound on and off. Press once to turn the sound off; then press again to turn the sound back on.

STANDBY / ON button

Press this button to turn the power on and off. When turned off, the projector enters standby status. Refer to page 13 - 14 for details.

LAMP indicator

Lights or flashes when the temperature inside the projector increases or the lamp does not light. Refer to page 33 for details.

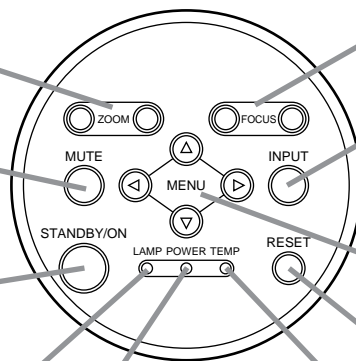
POWER indicator

This indicator lights or blinks during standby and during operation. Refer to page 33 for details.

Remote control I/R receiver

Lens

Lens cap



FOCUS button

Used to adjust the focus of the image on the screen. (Refer to page 13.)

INPUT button

Press this button to switch the input. The input changes in the following sequence each time this button is pressed.



MENU button

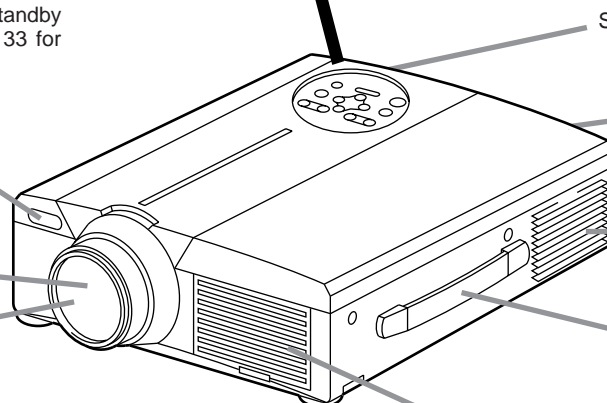
Displays the menu. Refer to page 17 - 21 for details.

RESET button

Used to reset the initial settings. Refer to page 10.17.25.26 for details.

TEMP indicator

Blinks when the fan malfunctions. Refer to page 33 for details.



Speaker

Speaker

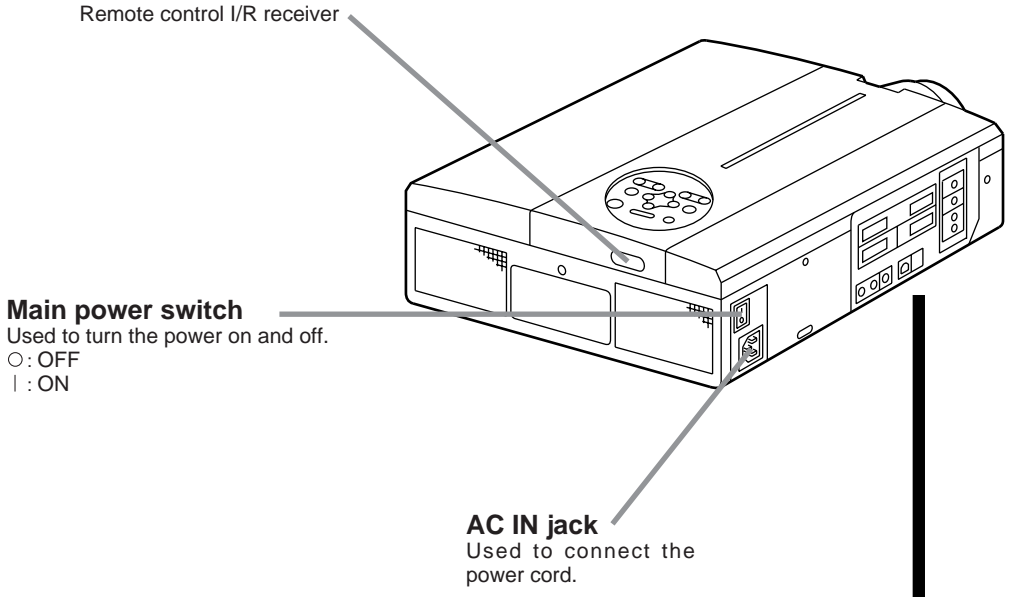
Cooling fan
(exhaust side)

Carrying handle

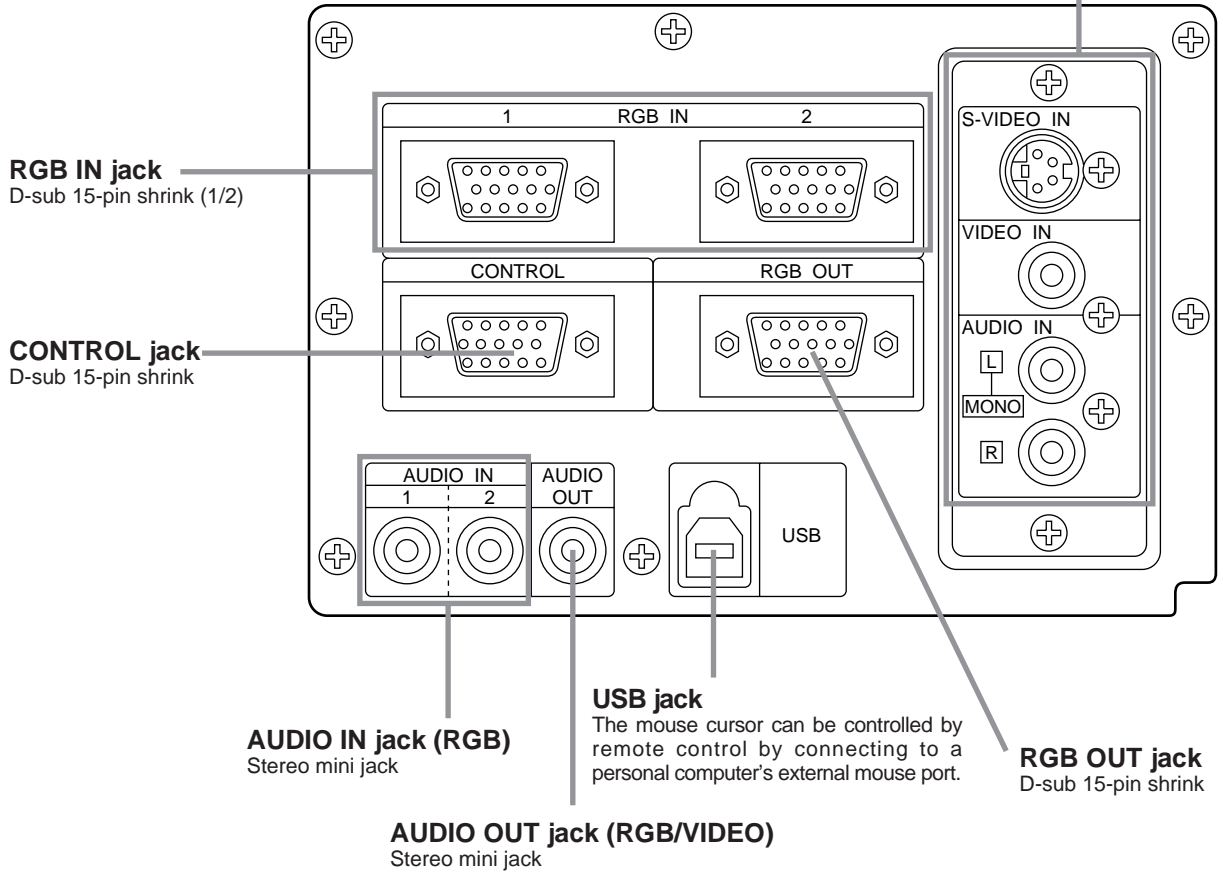
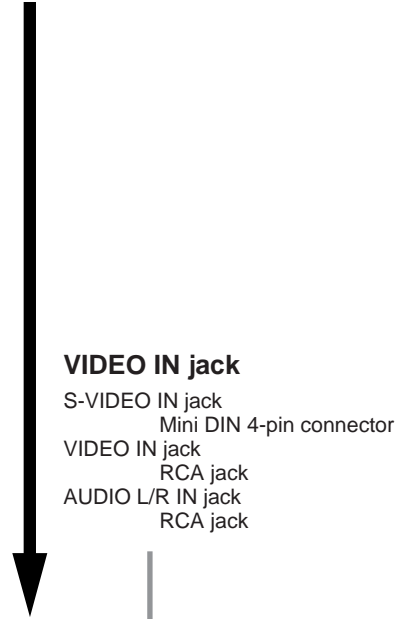
Cooling fan
(intake side)

- Use the remote control in front of the remote control photoreceptor at a distance of about 16.4 feet (5m) or less and an angle of 30 degrees to the left or right of the center.

Names and functions of each part (continued)

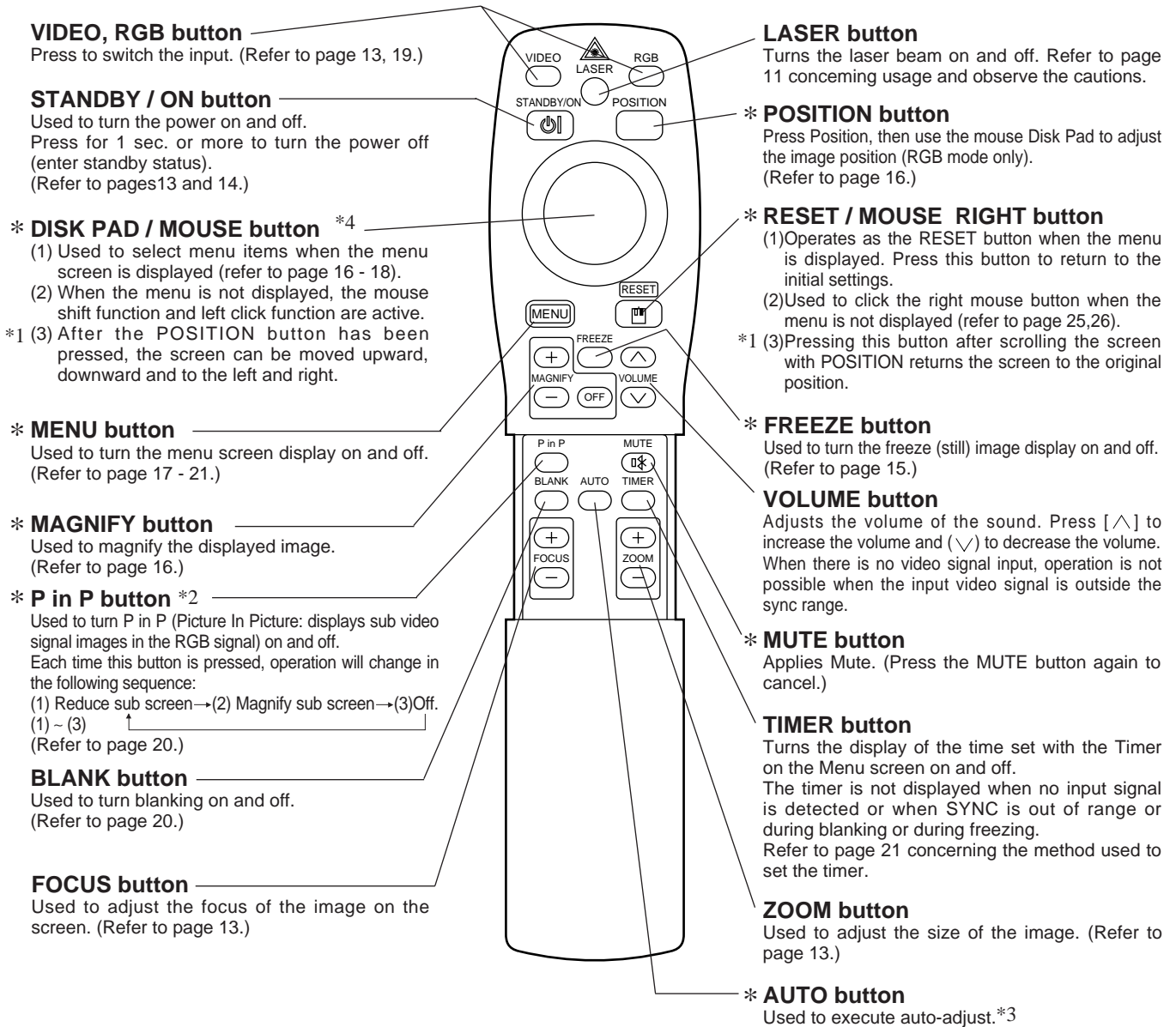


⚠ Caution **Connecting to the AC IN jack**
Make sure the power cord is plugged into the AC IN jack as far as it will go. Incomplete connection can result in fire or electrical shock.



Names and functions of each part (continued)

Remote control transmitter



*These functions do not operate when initial screen message "NO INPUT IS DETECTED" or "SYNC IS OUT OF RANGE" is displayed.

*1 **POSITION icon**
When the POSITION button is pressed, the moving display icon will appear at the bottom right of the screen.
While displaying the icon, you can operate POSITION.



*2 **P in P function**
With the P in P function, signals are input to both RGB and VIDEO. This function operates only when the RGB signal has been selected. There is no display in the case of the no signal and when the RGB signal is outside the sync range.
When P in P is used, audio is automatically switched to video.
In P in P, audio input can be switched by pressing the VOL ^ and VOL v keys of the remote control, displaying the audio bar and moving DISK PAD left and right during the display.



*3 **Auto adjustment function**
The projector automatically adjusts 4 items (V. POSIT, H. POSIT, H. PHASE, H. SIZE).
When you choose AUTO (move the cursor to the right from the manual operation position), the AUTO confirmation menu is shown.

*4 **Disk Pad method of operation**

- Move and select by tilting Disk Pad in the required direction.
- Press Disk Pad in to realize the function of the mouse left button.
- A mouse cable is necessary if a mouse is to be used. (Refer to pages 26, 27.)

Names and functions of each part (continued)

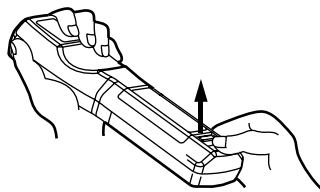
Caution

- Auto adjust can take up to 30 seconds.
- Auto adjust may not operate correctly in some cases, depending on the computer connected and the signal.
- Be sure to expand images to full screen size when displaying low resolution images.
- After auto adjust, the image may be slightly dark in some cases due to automatic adjustment of the signal level.
- Auto adjust can not execute when the initial display is “NO INPUT IS DETECTED” or “SYNC IS OUT OF RANGE” during FREEZE or MAGNIFY.
- Auto Adjust is executed when the following operations are performed.
 1. When the type of input source signal is changed.
 2. When the Auto Adjust (AUTO) button is pressed.
- The message AUTO IN PROGRESS will be displayed on the screen during automatic adjustment.
- The screen may be disrupted during automatic adjustment but this is not a malfunction.
- RGB1 or RGB2 only can be used as the input signal.
- Auto Adjust can also be executed using the operation buttons of the main unit. Hold down the RESET button and press the input switch (INPUT) button.

Loading the batteries Loading AA batteries into the remote control.

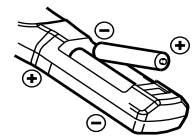
1 Remove the battery cover.

Push the knob while lifting up the battery cover.



2 Loading the batteries.

Make sure the plus and minus poles are correctly oriented.



3 Close the battery cover.

Caution Battery usage cautions

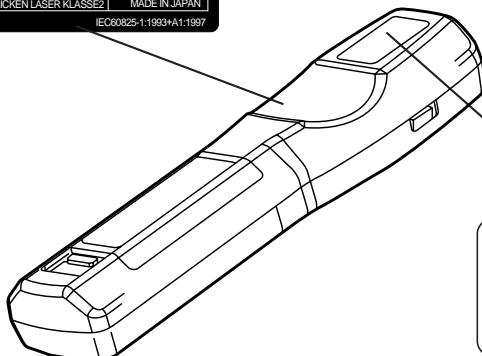
- Use only the specified batteries with this projector. Also, do not mix new and old batteries. This could cause in battery cracking or leakage, which could result in fire or personal injury.
- When loading the batteries, make sure the plus and minus poles are correctly oriented as indicated in the projector. Incorrect orientation could cause battery cracking or leakage, which could result in personal injury or pollution of the surrounding environment.

Caution Remote control usage cautions

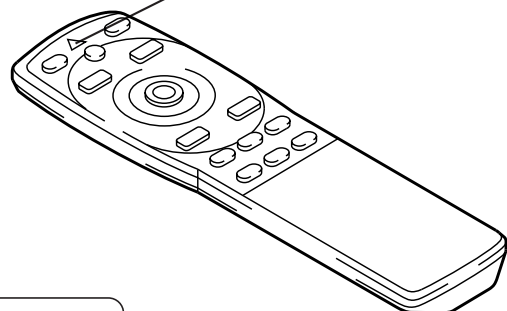
- Do not drop the remote control or apply impact.
- Do not wet the remote control or place it on any wet object. Such actions could result in malfunction.
- When not to be used for an extended period, remove the batteries from the remote control.
- Replace the batteries when remote control operation becomes difficult.
- Do not place the remote control close to the cooling fan of the projector.
- Do not disassemble the remote control in case of malfunction. please bring it to the service station.

Warning

The laser pointer of the remote control is used as a pointer. Never look directly into the laser beam outlet or point the laser beam at other people. The laser beam can cause vision problems.



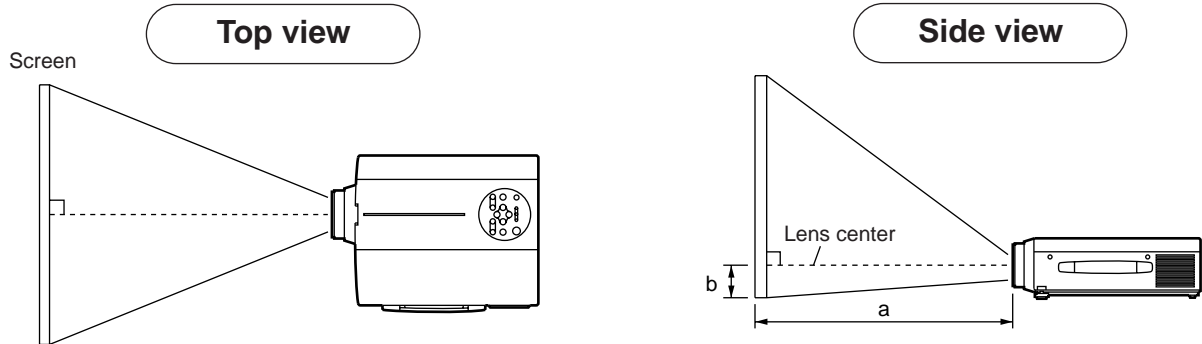
AVOID EXPOSURE-
LASER RADIATION IS
EMITTED FROM THIS
APERTURE



Installation

Typical LCD Projector and Screen Installation

Use the diagram below as reference to determine the screen size and projection distance.



Screen size (inches/cm)	a (inches/cm)		b (inches/cm)
	Minimum	Maximum	
40/102	55/140	73/185	1/2.5
60/152	85/216	114/290	2/5
80/203	114/290	151/384	2/5
100/254	144/366	191/485	3/8
120/305	176/447	231/587	3/8
150/381	220/559	282/716	4/10
200/508	291/739	386/980	6/15

- a. Distance from the LCD projector to the screen
 b. Distance from the lens center to the bottom of the screen (a,b : +/-10%).

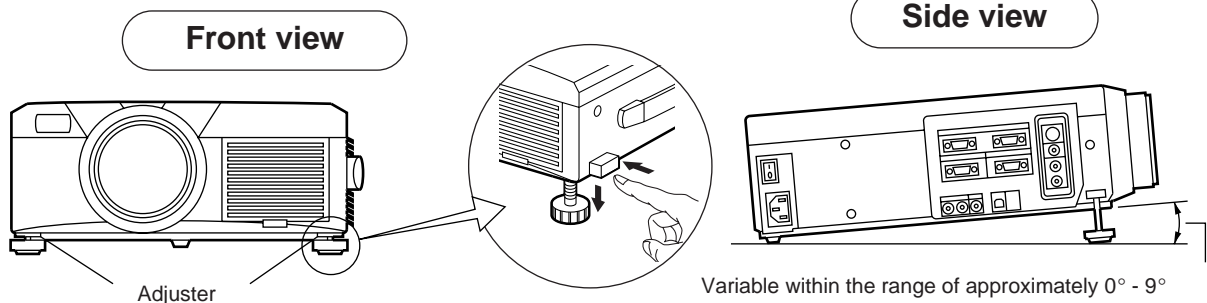
Caution

The LCD projector should normally be used level (the legs can point upward). Positioning the projector sideways, or with the lens pointing upward or downward can cause the internal temperature to rise, which could result in a malfunction.

The projection distances shown in the diagram to the left are for full size (1,024 x 768 dots).

Using the adjusters

Use the adjusters on the bottom to adjust the projection angle.



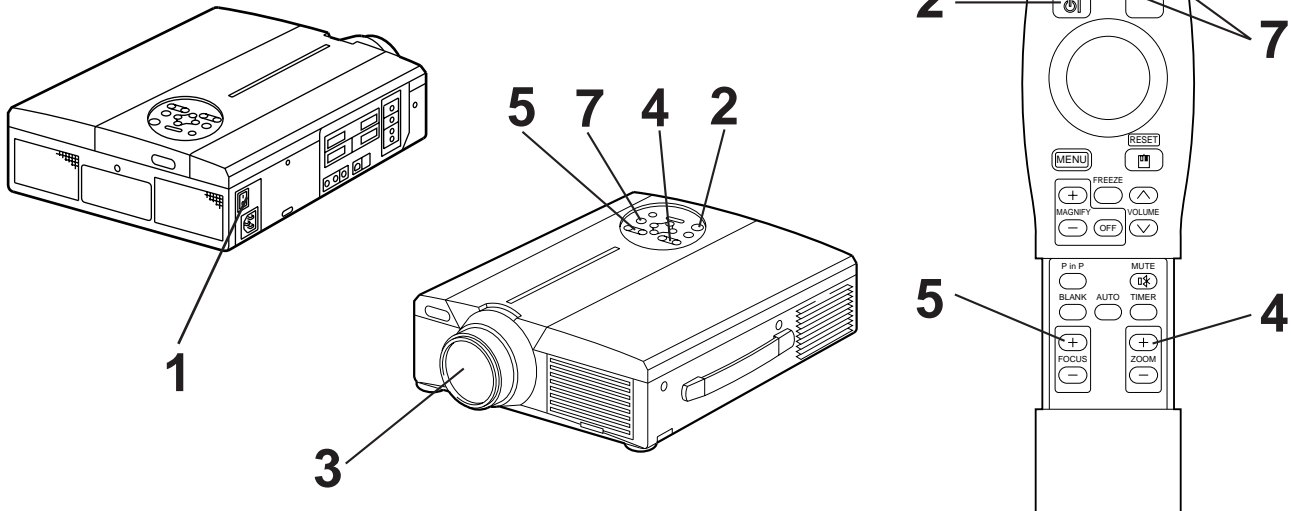
1. Lift up the projector and release the adjuster lock.
2. After adjusting the projection angle, firmly lock the adjusters.
3. Rotate the adjusters for fine adjustment.

Caution

- Do not release the locks unless the projector is being held; otherwise, the projector could overturn or the fingers could get caught and cause personal injury.
- Do not force the adjusters to rotate. This could damage the adjusters or cause the lock to fail.
- Lock the adjusters firmly. If the lock is difficult to operate, change the angle slightly and try again.

Basic operations

To project



1 Turn on the main power switch of the projector [I: ON].

- The Power indicator lights orange.

2 Press the STANDBY / ON button.

- The Power indicator will blink green and then light green.
- The green blinking indicates warmup.

3 Remove the lens cap.

4 Use the ZOOM button to adjust the screen size.

5 Use the FOCUS button to adjust the focus.

- (1) The display shown to the right will appear when the FOCUS button is pressed.
- (2) Use the FOCUS button to adjust the focus until the image is sharp.
- (3) The message "Focus" will disappear if any other button is pressed.

- (When there is no input signal, the Focus characters are not displayed when the input signal is outside the sync range.)

+++FOCUS+++

6 Turn on the power to the connected equipment.

Refer to page 31 concerning the connection of other equipment.

7 Press either the INPUT button of the projector or the VIDEO/RGB button of the remote control to select the signal to be projected on the screen.

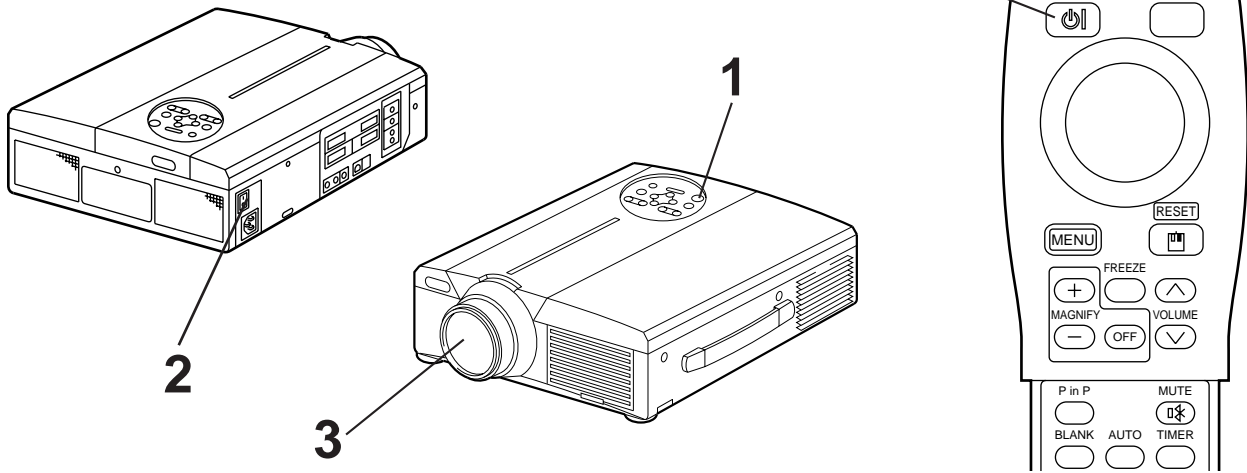
The selected signal input channel will be displayed in the lower right part of the screen.

Example on-screen display

RGB 1

Basic operations (continued)

Turning off the power



1 Press the **STANDBY/ON** button for approximately 1 second.

- The Power indicator will blink orange, then the lamp will turn off. Approximately 1 second. after that, the indicator will light orange.
- After the power is turned off, the lamp will be cooled for approximately 1 min. and the power cannot be turned off even by pressing the STANDBY/ON button.
- The standby status will not be entered if the time which the STANDBY/ON button is pressed is too short.

2 Turn off the main power switch of the projector [: OFF].

3 Attach the lens cap.

Caution The fan will continue running for approximately 1 min. after the STANDBY/ON button is pressed. Do not turn off the main power switch while the lamp is on because this will shorten the service life of the lamp.

Plug & Play

This projector is VESA DDC 1/2B compatible. Plug & play is possible by connecting to a computer that is VESA DDC (Display Data Channel) compatible.

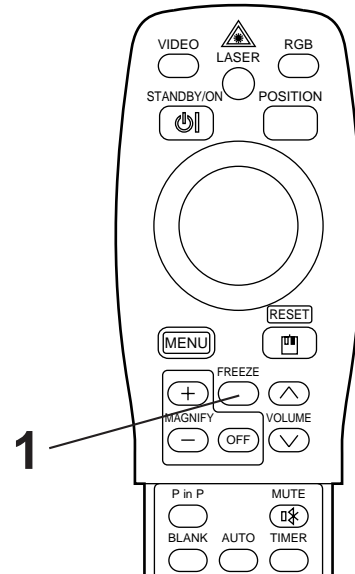
(Plug & play is a system configured with peripheral equipment including a computer and display, and an operating system.)

- Caution**
- Use the RGB cable included with this projector when using plug & play. With other cables, pins (12) - (15) are sometimes not connected (effective only for RGB1).
 - This device is recognized as a plug-and-play monitor. Use the standard Windows95/98 display drivers.
 - This function may not operate, depending on the personal computer used.
 - When the DDC function does not operate on a personal computer running Windows95/98, select the display type from Screen Priority. It is recommended that Super VGA 1024 x 768 (60-75Hz) be selected as the display type.
The DDC function will not operate when connected to a Macintosh.

Basic operations (continued)

Freeze function

This function is used to freeze the image being displayed.
(refer to page 10)



1 Press the FREEZE button.

- The image being displayed will freeze.
- The [■■] mark appears in the lower right corner of the screen when the Freeze function is on.

Cancelling the FREEZE function

1 Press the FREEZE button.

- The FREEZE function will be cancelled.
- The [▶] mark will be displayed for approximately 3 sec. when the FREEZE function is cancelled.

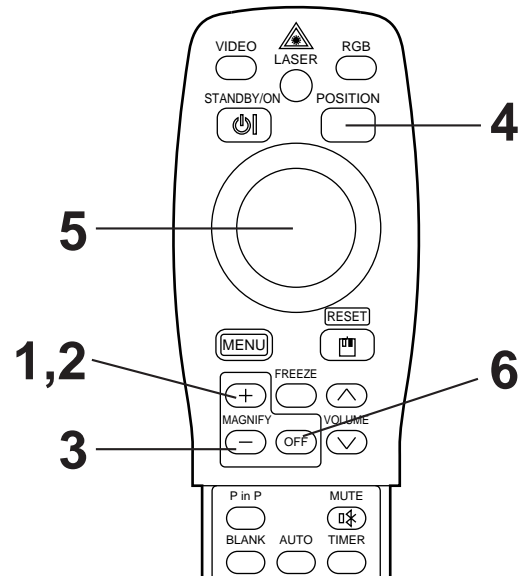
Caution

- When there is no input signal, the Freeze function is not effective when the input signal is outside the sync range.
- Pressing the FREEZE button alternately turns the freeze function on and off.
- The FREEZE function will be cancelled when the input select button is pressed or the display mode of the PC being used for display is changed.
- When a still image signal is input when the FREEZE function is on, make sure not to forget to cancel the FREEZE function.
- FREEZE function will be cancelled after the operations such as “FOCUS +, -”, “TIMER”, “P in P”, “AUTO”, “BLANK”, “VOLUME ^ v”, “MENU”, “MUTE” and “POSITION”.

Basic operations (continued)

Magnify function

Part of an image can be displayed magnified.
(refer to page 10)



1 Press the MAGNIFY + button.

- The center part of the image will be displayed magnified approximately 2x.

Changing the magnification ratio

2 Press the MAGNIFY + button.

- When this button is pressed, the image will be displayed even larger.

3 Press the MAGNIFY – button.

- When this button is pressed, the image will be displayed even smaller.

Moving the display area

4 Press the POSITION button.

5 Press the DISK PAD up, down, left and right buttons.

- The magnified area will move in accordance with the button pressed.

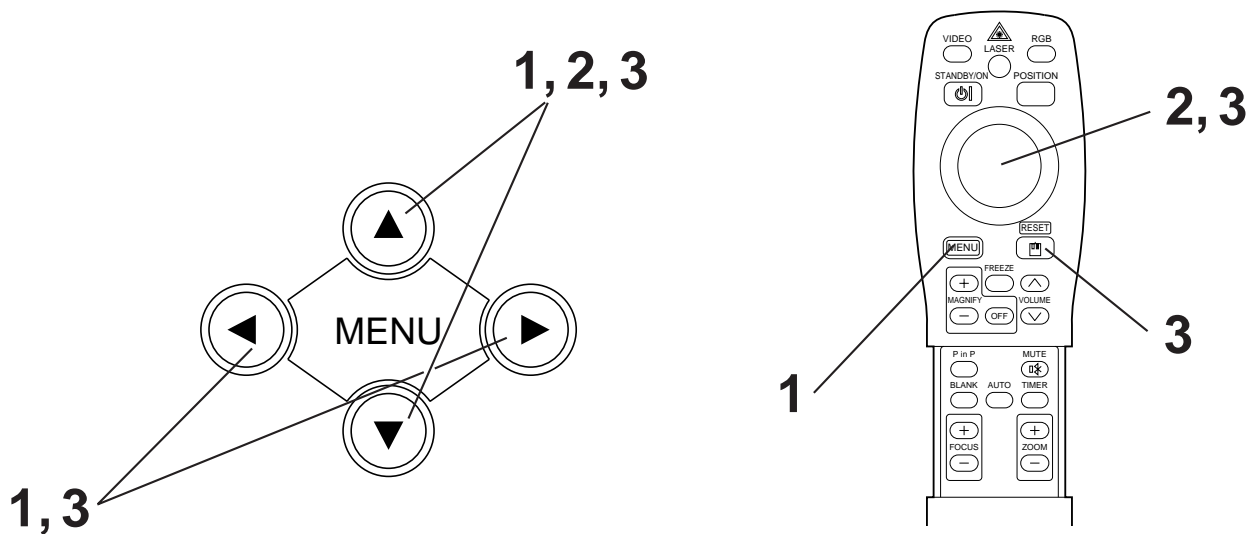
Returning to normal display

6 Press the MAGNIFY OFF button.

Caution

- When there is no video signal input, Magnify is not effective when the video signal input is outside the sync range.
- The magnify function will be cancelled when the input select button is pressed or the display mode of the PC being used for display is changed.
- The Magnify function will be cancelled after the operations such as “AUTO”, “KEYSTONE”.

Adjustments and functions



1 Press the MENU (▲▼◀▶) buttons of the projector or the MENU button of the remote control.

- The Menu screen will appear. (refer to page 18 - 21 for details.)

2 Press the MENU (▲▼◀▶) buttons of the projector or the DISK PAD button of the remote control to select the menu item to be adjusted. • The selected menu item will be displayed in orange.

3 Adjust the selected menu item with the MENU (▲▼◀▶) buttons of the projector or the DISK PAD button of the remote control.

- The selected menu item will be displayed in orange.

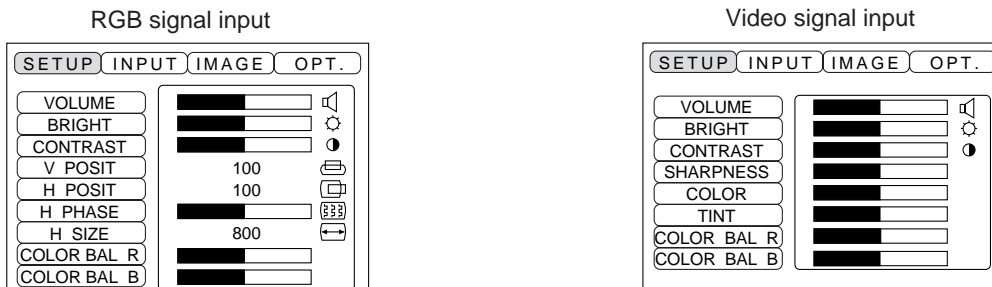
Returning to the initial settings

- Select the adjustment item to be returned to the initial settings.
- Press the RESET button.

Adjustments and functions (continued)

SET UP

Images and display positions can be adjusted from the SETUP menu.



Adjustment item	Adjustment description
VOLUME	Volume decreases \leftarrow \rightarrow Volume increases
BRIGHT (BRIGHTNESS)	Darker \leftarrow \rightarrow Brighter
CONTRAST	Lower contrast \leftarrow \rightarrow Stronger contrast
SHARPNESS	Softer image \leftarrow \rightarrow Sharper image
COLOR	Less \leftarrow \rightarrow More
TINT	Redder \leftarrow \rightarrow Greener
V. POSIT (V. POSITION)	Moves the image up and down.
H. POSIT (H. POSITION)	Moves the image left and right.
H. PHASE	Eliminates blanking.
H. SIZE	Adjusts the horizontal size of the image.
COLOR BAL R (COLOR BALANCE Red)	Less red \leftarrow \rightarrow More red
COLOR BAL B (COLOR BALANCE Blue)	Less blue \leftarrow \rightarrow More blue

Using the SETUP Menu

Move the cursor to the item to be adjusted and move the MENU button of the projector or the DISK PAD button of the remote control to change the length of the bar display.

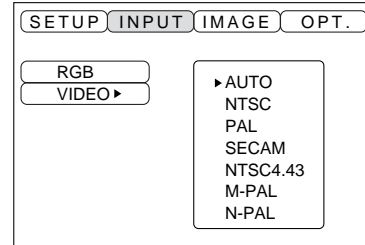
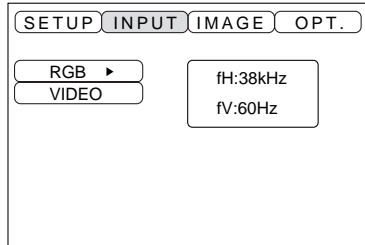
Caution

- The menu cannot be displayed while the initial screen (“No input is detected.” or “Sync is out of range.”) is being displayed.
- Tint cannot be adjusted with N-PAL, M-PAL, PAL or SECAM video signal input.
- Tint, color and sharpness cannot be adjusted with RGB signal input.
- V. POSIT, H. POSIT, H. PHASE and H. SIZE cannot be adjusted with video signal input.
- FREEZE function will be cancelled after the operation “Menu”.
- Displaying the menu cancels freeze operations.

Adjustments and functions (continued)

INPUT

The INPUT menu is used to select RGB signal sync signal frequency of the monitor and the VIDEO signal.

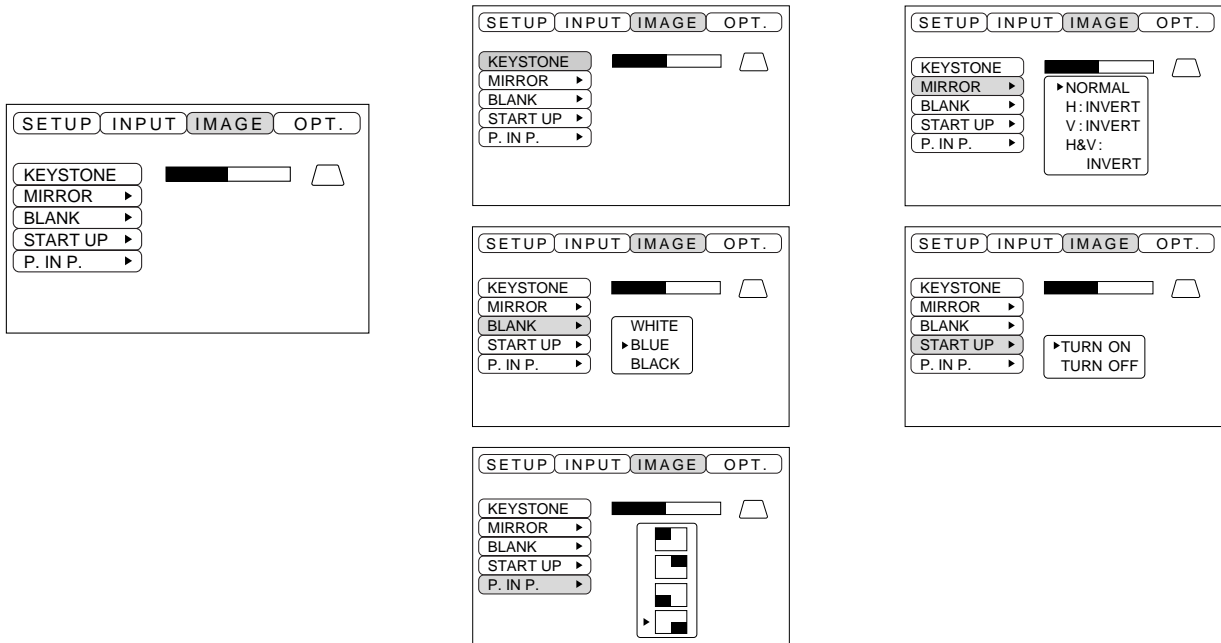


Adjustment item	Adjustment description
RGB	Displays the following RGB inputs fH: horizontal sync frequency fV: vertical sync frequency
VIDEO	Sets the video signal system. When the screen is unstable (no color) or rolls, select the mode that matches the input signal.

Adjustments and functions (continued)

IMAGE

Projection image inversion, etc., can be selected from the IMAGE menu.

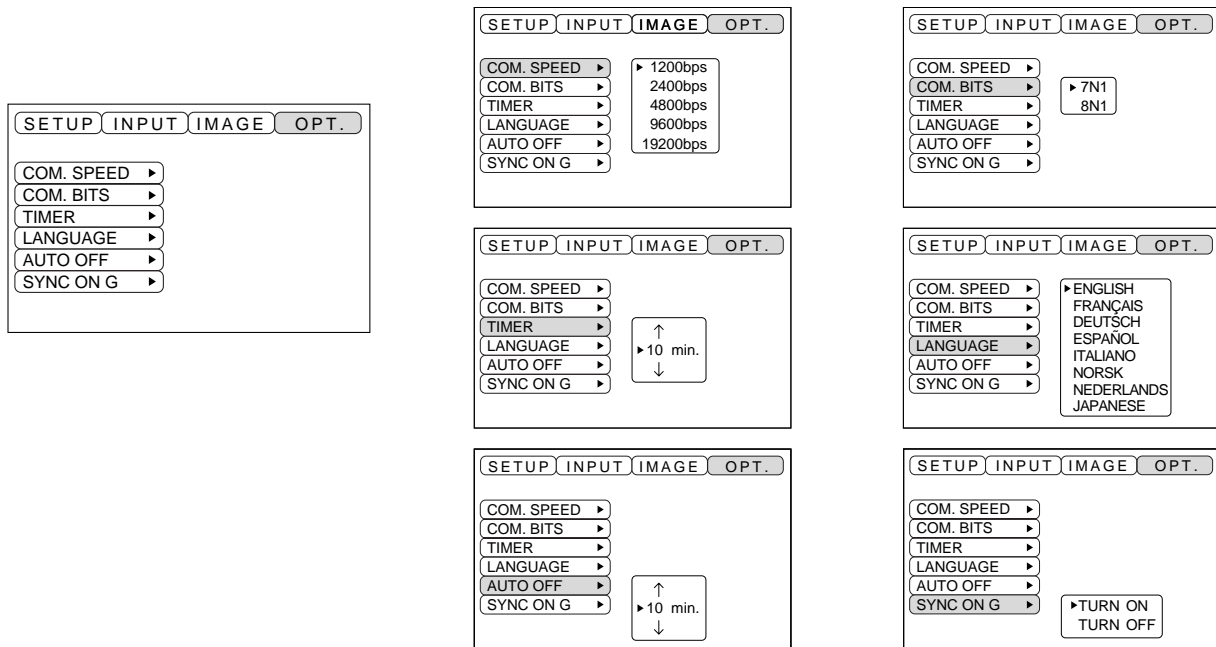


Adjustment item	Adjustment description
KEYSTONE	Reduces keystone distortion at the bottom \longleftrightarrow Reduces keystone distortion at the top
MIRROR	Sets vertical or horizontal inversion of the projected image. H: horizontal inversion only V: vertical inversion only H&V: both horizontal and vertical inversion.
BLANK	Sets the color to be used for blanking with BLANK ON or when there is no signal. Blanking is turned on, when there is no signal for approximately 5 min.
START UP	Opens and closes the initial settings screen during signal input at start up. When canceled, the background color will change to blue.
P in P	Selects the P in P sub screen display position.

Adjustments and functions (continued)

OPT

Communication functions, etc., can be set from the OPT menu.



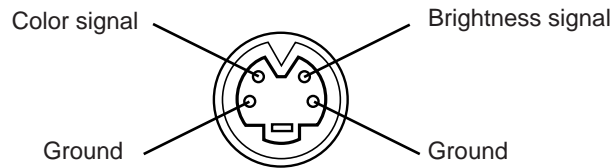
Adjustment item	Adjustment description
COM. SPEED	Sets the communication speed (5 steps).
COM. BITS	Sets the bit configuration for the communication data. 7N1...7 data bits, No parity, 1 stop bit. 8N1...8 data bits, No parity, 1 stop bit.
TIMER	Sets the timer display time (0 - 99) min.
LANGUAGE	Selects the menu screen language (English, French, German, Spanish, Italian, Norwegian, Dutch, Japanese).
AUTO OFF	Sets the time after which the power will be turned off (standby status) when there is no input signal. The settings are 1 - 99 min, 0 and None.
SYNC ON G	Sets the SYNC ON G feature on/off.

Connection to the video signal terminals

1. Input signals

S-VIDEO signal		Brightness signal	1.0V p-p, 75 Ω terminator
		Color signal	0.286V p-p (burst signal), 75 Ω terminator
VIDEO signal			1.0V p-p, 75 Ω terminator
Audio signal	Input		200mV rms, 20k Ω or less (max. 3.0V p-p)
	Output		0~200mVrms, 1k Ω

2. Signal input jacks



S-VIDEO input (mini DIN 4-pin)

Caution

The priority sequence of the video input jacks is as follows.

(1) S-VIDEO input jack (2) RCA jack input jack

When video signals are being projected, the audio input by the video is output to the audio output jack (RGB/VIDEO).

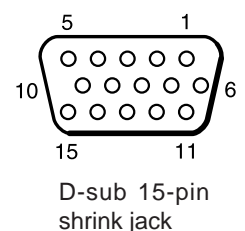
Connection to the RGB signal terminal

1. Input signals

Video signal		Analog, 0.7V p-p, 75 Ω terminator (positive polarity)
Horizontal sync signal		TTL level (positive/negative polarity)
Vertical sync signal		TTL level (positive/negative polarity)
Compound sync signal		TTL level
Audio signal	Input	200mV rms, 20k Ω or less (max. 3.0V p-p)
	Output	0~200mVrms, 1k Ω

2. Signal input jacks

1	Video input (red)	9	N.C
2	Video input (green)	10	Ground
3	Video input (blue)	11	N.C
4	N.C	12	DDC jack (Display Data Channel)
5	N.C	13	Horizontal sync signal/compound sync signal
6	Ground (red)	14	Vertical sync signal
7	Ground (green)	15	DDC jack (Display Data Channel)
8	Ground (blue)		

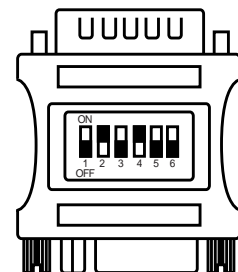


Connection to the RGB signal terminal (continued)

3. Example of computer signal

Resolution H × V	fH (kHz)	fV (Hz)	Rating	Signal mode	Display mode	Note 1
640 × 400	24.8	56.4		NEC PC9800	Zoom in	
640 × 350	37.9	85.1	VESA	VGA-1	Zoom in	
640 × 400	37.9	85.1	VESA	VGA-2	Zoom in	
720 × 400	37.9	85.0	VESA	TEXT	Zoom in	
640 × 480	31.5	59.9	VESA	VGA-3	Zoom in	
640 × 480	35.0	66.7		Mac13"mode	Zoom in	SW 1 ON SW 2 ON
640 × 480	37.9	72.8	VESA	VGA-3(72Hz)	Zoom in	
640 × 480	37.5	75.0	VESA	VGA-3(75Hz)	Zoom in	
640 × 480	43.3	85.0	VESA	VGA-3(85Hz)	Zoom in	
800 × 600	35.2	56.3	VESA	SVGA(56Hz)	Zoom in	
800 × 600	37.9	60.3	VESA	SVGA(60Hz)	Zoom in	
800 × 600	48.1	72.2	VESA	SVGA(72Hz)	Zoom in	
800 × 600	46.9	75.0	VESA	SVGA(75Hz)	Zoom in	
800 × 600	53.7	85.1	VESA	SVGA(85Hz)	Zoom in	
832 × 624	49.7	74.5		Mac16"mode	Zoom in	SW 2 ON SW 4 ON
1024 × 768	48.4	60.0	VESA	XGA(60Hz)		
1024 × 768	56.5	70.1	VESA	XGA(70Hz)		
1024 × 768	60.0	75.0	VESA	XGA(75Hz)		
1152 × 864	67.5	75.0	VESA	SXGA(75Hz)	Zoom out	
1280 × 960	60.0	60.0	VESA	SXGA(60Hz)	Zoom out	
1280 × 1024	64.0	60.0	VESA	SXGA(60Hz)	Zoom out	
1280 × 1024	80.0	75.0	VESA	SXGA(75Hz)	Zoom out	

Note 1: Mac adapter is necessary to the resolution mode.
 Projector is compatible with 13 inch mode and 16 inch mode.
 Mac 13" mode=switch 1 and switch 2 are ON.
 Mac 16" mode=switch 2 and switch 4 are ON.



(Example 16 inch mode)

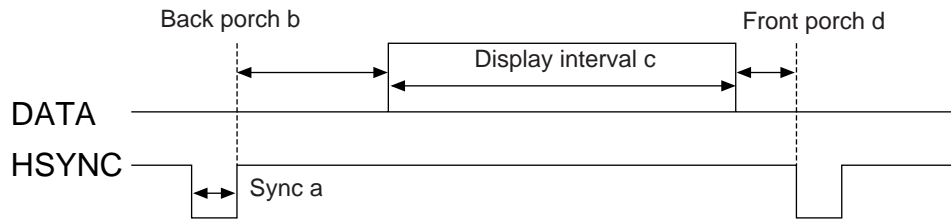
- Caution**
- Some computers may have multiple display screen modes. Use of some of these modes will not be possible with this projector.
 - Be sure to check jack type, signal level, timing and resolution before connecting this projector to a computer.
 - Depending on the input signal, full-size display may not be possible in some cases.

Connection to the RGB signal terminal (continued)

4. Initial set signals

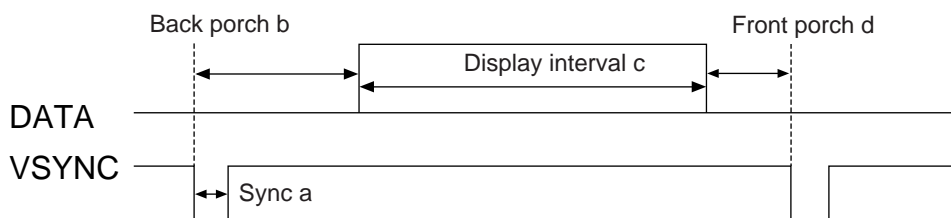
The following signals are used for the initial settings.

The signal timing of some computer models may be different. In such case, refer to pages 17 and 18 and adjust the V.POSIT and H.POSIT of the menu.



Computer/Signal	Horizontal signal timing (μs)			
	a	b	c	d
VGA-1(85Hz)	2.0	3.0	20.3	1.0
VGA-2(85Hz)	2.0	3.0	20.3	1.0
PC-9800	3.0	3.8	30.4	3.0
TEXT	2.0	3.0	20.3	1.0
VGA-3	3.8	1.9	25.4	0.6
Mac 13"mode	2.1	3.2	21.2	2.1
VGA-3(72Hz)	1.3	3.8	20.3	1.0
VGA-3(75Hz)	2.0	3.8	20.3	0.5
VGA-3(85Hz)	1.6	2.2	17.8	1.6
SVGA(56Hz)	2.0	3.6	22.2	0.7
SVGA(60Hz)	3.2	2.2	20.0	1.0

Computer/Signal	Horizontal signal timing (μs)			
	a	b	c	d
SVGA (72Hz)	2.4	1.3	16.0	1.1
SVGA (75Hz)	1.6	3.2	16.2	0.3
SVGA (85Hz)	1.1	2.7	14.2	0.6
Mac 16"mode	1.1	3.9	14.5	0.6
XGA (60Hz)	2.1	2.5	15.8	0.4
XGA (70Hz)	1.8	1.9	13.7	0.3
XGA (75Hz)	1.2	2.2	13.0	0.2
SXGA (1152 X 864, 75Hz)	1.2	2.4	10.7	0.6
SXGA (1280 X 960, 60Hz)	1.0	2.9	11.9	0.9
SXGA (1280 X 1024, 60Hz)	1.0	2.9	11.9	0.9
SXGA (1280 X 1024, 75Hz)	1.1	1.8	9.5	0.1

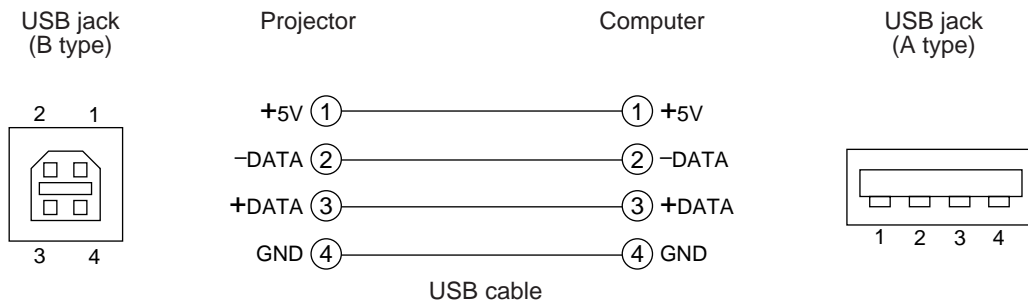


Computer/Signal	Vertical signal timing (lines)			
	a	b	c	d
VGA-1 (85Hz)	3	60	350	32
VGA-2 (85Hz)	3	41	400	1
PC-9800	8	25	400	7
TEXT	3	42	480	1
VGA-3	2	33	480	10
Mac 13"mode	3	39	480	3
VGA-3 (72Hz)	3	28	480	9
VGA-3 (75Hz)	3	16	480	1
VGA-3 (85Hz)	3	25	480	1
SVGA (56Hz)	2	22	600	1
SVGA (60Hz)	4	23	600	1

Computer/Signal	Vertical signal timing (lines)			
	a	b	c	d
SVGA (72Hz)	6	23	600	37
SVGA (75Hz)	3	21	600	1
SVGA (85Hz)	3	27	600	1
Mac 16"mode	3	39	624	1
XGA (60Hz)	6	29	768	3
XGA (70Hz)	6	29	768	3
XGA (75Hz)	3	28	768	1
SXGA (1152 X 864, 75Hz)	3	32	864	1
SXGA (1280 X 960, 60Hz)	3	36	960	1
SXGA (1280 X 1024, 60Hz)	3	38	1024	1
SXGA (1280 X 1024, 75Hz)	3	38	1024	1

Connecting the USB

1. Connect the projector and computer with a suitable commercially available cable. Disconnect the mouse cable from the projector.
2. Press the INPUT button of the projector or the RGB 1/2 button of the remote control and select the input where the computer is connected.
3. Start the mouse function.
4. Refer to page 10 concerning the remote control of mouse operations.
5. Varying the force with which the DISK PAD button is pressed varies the speed of mouse operation.



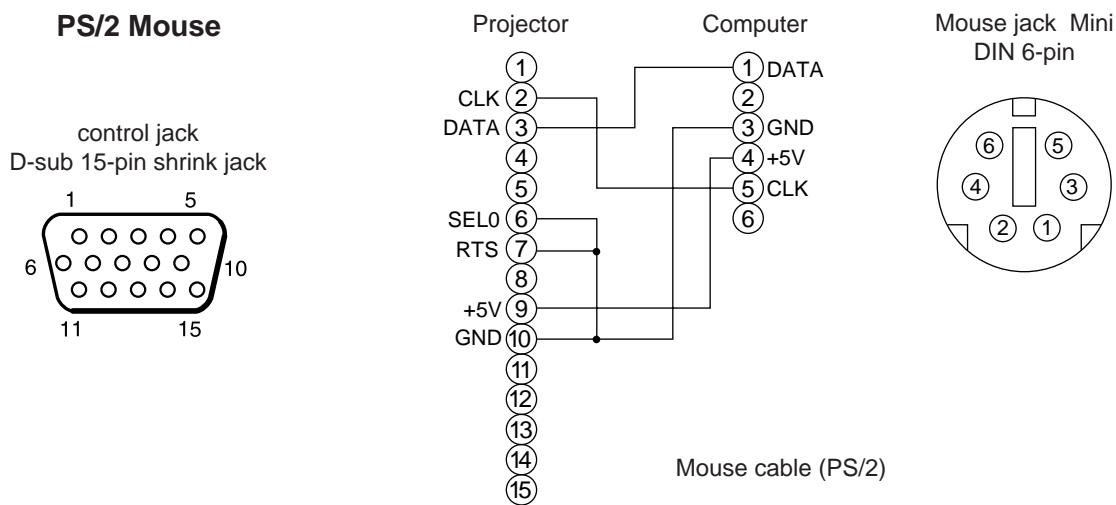
Caution

- Before making connections, read the instruction manual of the equipment to be connected.
- Use the optional USB cable to connect.
- Effective with USB only when the mouse is used.
- Do not use with any device other than a personal computer.
- When using with Windows 95, it is necessary to set so that USB can be used with version OSR 2.1 or higher. Depending on the kind or the version of the host controller, operation may not be possible in some cases.
- In the case of notebook type computers with a built-in pointing device such as a track ball, in some cases the built-in pointing device will have priority even if a mouse is connected and the mouse may not be selected.
In such case, disable the built-in pointing device and change the BIOS setting (system setup) so that an external mouse can be selected.
After changing the BIOS setting, perform the operations described in 1 - 3 above.
Refer to the computer hardware manual concerning the BIOS setting.
Also, some computers may not have a utility program to operate a mouse. Refer to the computer hardware manual.

Connection to the control signal terminal

1. Mouse functions

- (1) Turn off the main power switches of the projector and computer and connect the two units with the cable provided. Disconnect the USB cable from the projector.
- (2) Turn on the main switch of the projector (the POWER indicator lamp will light green).
- (3) Press the INPUT button of the projector or the RGB button of the remote control and select the input where the computer is connected.
- (4) Turn on the computer power supply.
- (5) Start the mouse function.
If the mouse has not been started, reboot the computer (soft reboot or reboot buttons).
- (6) Refer to page 10 concerning remote control operation.
- (7) Varying the force with which the DISK PAD button is pressed varies the speed of mouse operation.



Use the mouse cable provided.

Cables for ADB mouse (Apple), bus mouse (NEC) and serial mouse are available as options.

Caution

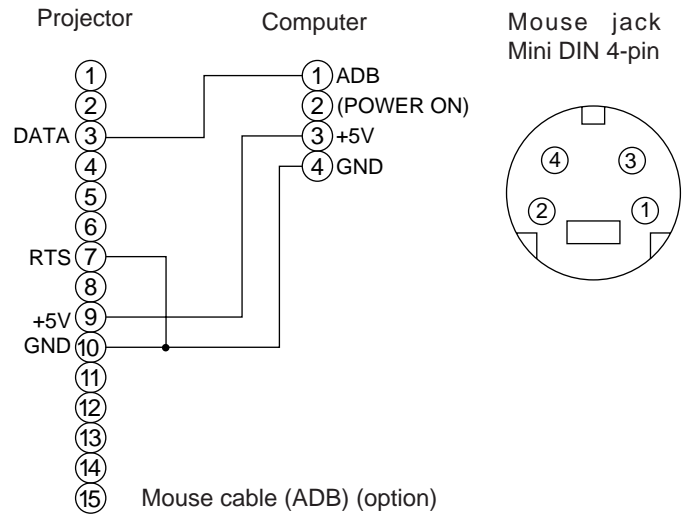
- Before making connections, read the instruction manual of the equipment to be connected.
- Turn off the projector and computer power supplies before connecting.
Connecting the mouse cable with the computer power on can result in a malfunction.
Use the mouse cable provided or an optional mouse cable to make the connection.
- In the case of notebook type computers with a built-in pointing device such as a track ball, in some cases the built-in pointing device will have priority even if a mouse is connected and the mouse may not be selected.
In such case, disable the built-in pointing device and change the BIOS setting (system setup) so that an external mouse can be selected.
After changing the BIOS setting, perform the operations described in (1) - (3) above.
Refer to the computer hardware manual concerning the BIOS setting.
Also, some computers may not have a utility program to operate a mouse. Refer to the computer hardware manual.

Connection to the control signal terminal (continued)

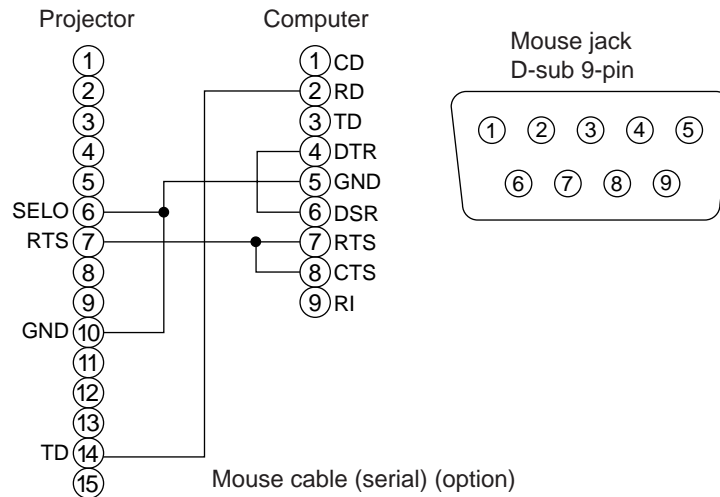
CONTROL signal jack

Pin no.	RS-232C	Mouse		
		PS/2	ADB	Serial
1				
2		CLK		
3		DATA	DATA	
4				
5				
6	SELO	SELO		SELO
7	RTS	RTS	RTS	RTS
8				
9		+5V	+5V	
10	GND	GND	GND	GND
11				
12				
13	RD			
14	TD			TD
15				

ADB (Mac) mouse



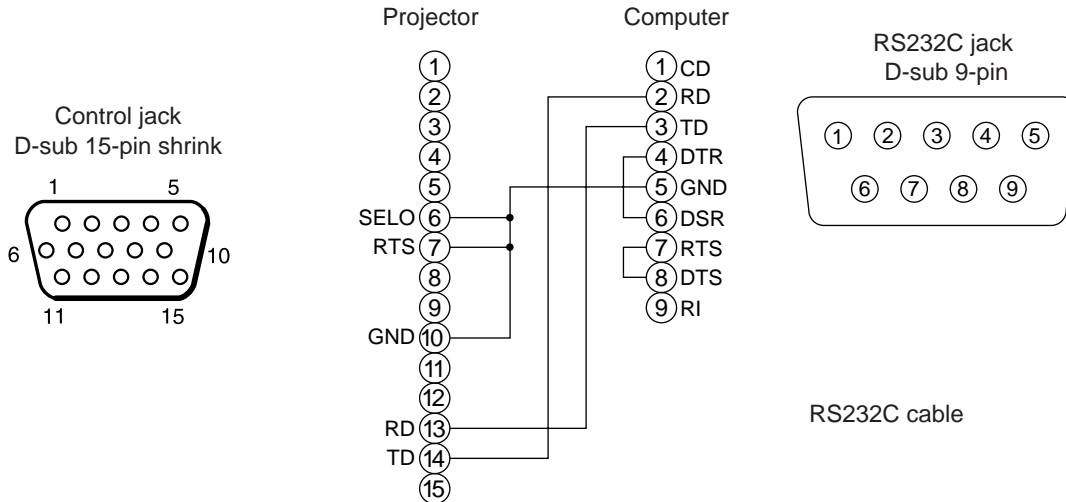
Serial mouse



Connection to the control signal terminal (continued)

2. RS232C communication

- (1) Turn off the projector and computer power supplies and connect with the RS232C cable.
- (2) Turn on the computer power supply and, after the computer has started up, turn on the projector power supply.
- (3) Refer to page 21 and set the communication speed and the number of communication bits.
- (4) Start RS232C communication.



Command	Projector→computer			Computer→projector						
	Response code			Inquiry code		Setting code		Default setting code		
	1st	2nd	data	1st	2nd	1st	2nd	data	1st	2nd
MOUSE	11h	05h	+1	20h	05h	31h	05h	+1	40h	05h
COMMUNICATE	11h	06h	+1	20h	06h	31h	06h	+1	40h	06h
POWER	11h	11h	+1	20h	11h	31h	11h	+1	—	—
ZOOM	11h	12h	+1	—	—	31h	12h	+1	—	—
FOCUS	11h	13h	+1	—	—	31h	13h	+1	—	—
MIRROR	11h	14h	+1	20h	14h	31h	14h	+1	40h	14h
INPUT	11h	21h	+1	20h	21h	31h	21h	+1	40h	21h
(VIDEO)SYSTEM	12h	22h	+2	20h	22h	32h	22h	+2	40h	22h
VOLUME	11h	23h	+1	20h	23h	31h	23h	+1	40h	23h
MUTE	11h	24h	+1	20h	24h	31h	24h	+1	40h	24h
BRIGHT	13h	31h	+3	20h	31h	33h	31h	+3	40h	31h
CONTRAST	13h	32h	+3	20h	32h	33h	32h	+3	40h	32h
COLOR	13h	33h	+3	20h	33h	33h	33h	+3	40h	33h
TINT	13h	34h	+3	20h	34h	33h	34h	+3	40h	34h
SHARPNESS	13h	35h	+3	20h	35h	33h	35h	+3	40h	35h
H.PHASE	13h	37h	+3	20h	37h	33h	37h	+3	40h	37h
H.POSIT	14h	38h	+4	—	—	34h	38h	+4	40h	38h
H.SIZE	14h	36h	+4	—	—	34h	36h	+4	40h	36h
V.POSIT	14h	3Ah	+4	—	—	34h	3Ah	+4	40h	3Ah
COLOR BALANCE R	13h	3Bh	+3	20h	3Bh	33h	3Bh	+3	40h	3Bh
COLOR BALANCE B	13h	3Dh	+3	20h	3Dh	33h	3Dh	+3	40h	3Dh
AUTO ADJUST	11h	3Ch	+1	20h	3Ch	31h	3Ch	+1	40h	3Ch
BLANK	11h	41h	+1	20h	41h	31h	41h	+1	40h	41h
MAGNIFY	11h	15h	+1	20h	15h	31h	15h	+1	40h	15h
FREEZE	11h	16h	+1	20h	16h	31h	16h	+1	40h	16h

Connection to the control signal terminal (continued)

Command data chart

Item	Data code
MOUSE	00h=disable mouse function, 01 ~ 7Fh=start mouse function
COMMUNICATE	0Xh=8N1, 1Xh=7N1 X0h=1200bps, X1h=2400bps, X2h=4800bps, X3h=9600bps, X4h=19200bps
POWER	3Eh=power off (standby status), 3Fh=power on
ZOOM	01 ~ 3Fh=Zoom +, 41 ~ 7Fh=Zoom -
FOCUS	01 ~ 3Fh=Focus +, 41 ~ 7Fh=Focus -
MIRROR	00h=Normal, 01h=H : Invert, 02h=V : Invert, 03h=H & V : Invert
INPUT	11h=VIDEO, 21h=RGB1, 22h=RGB2
SYSTEM (VIDEO)	00h 00h=Auto, 00h 01h=NTSC, 00h 04h=NTSC4.43 00h 02h=PAL, 00h 03h=SECAM, 00h 05h=M-PAL, 00h 06h=N-PAL
VOLUME	00h (low volume) ~ 24h (high volume)
MUTE	00h=mute off, 01h=mute on
BRIGHT	00h 00h 00h (dark) ~ 00h 00h 24h (bright)
CONTRAST	00h 00h 00h (low) ~ 00h 00h 24h (strong)
COLOR	00h 00h 00h (pale) ~ 00h 00h 24h (dense)
TINT	00h 00h 00h (reddish) ~ 00h 00h 24h (greenish)
SHARPNESS	00h 00h 00h (soft) ~ 00h 00h 24h (sharp)
H.PHASE	00h 00h 00h ~ 00h 00h 24h
H.POSIT	00h 00h 00h 01h (Right) moves one step 00h 00h 00h 7Fh (Left) moves one step
H.SIZE	00h 00h 00h 01h (Large) moves two step 00h 00h 00h 7Fh (Small) moves two step
V.POSIT	00h 00h 00h 01h (Up) moves one step 00h 00h 00h 7Fh (Down) moves one step
COLOR BALANCE R	00h 00h 00h (Light red) ~ 00h 00h 24h (Dark red)
COLOR BALANCE B	00h 00h 00h (Light blue) ~ 00h 00h 24h (Dark blue)
AUTO ADJUST	00h (AUTO ADJUST (Play))
BLANK	0Xh=blanking off, 1Xh=blanking on X=8 Black, X=9 Blue, X=F White
MAGNIFY	00h=normal display, 01h=zoom Magnify display or Magnify ratio up. 7Fh=zoom ratio down
FREEZE	00h=normal display, 01h=still image display

The command code configuration consists of a 2-byte command and the following data.

- The first byte of a command indicates the command type with 3 bits on the MSB side and the data length with 4 bits on the LSB side.

Projector - computer	Computer - projector
'0xH' : Error code	'2xH' : inquiry code
'1xH' : response code	'3xH' : setting code
'70H' : frame error code	'4xH' : default setting code

'x' indicates the data length (example: x=2 means a 2-byte command).
- The second byte of a command indicates the command contents.

Connection to the control signal terminal (continued)

Requesting projector status

- (1) Send the request code '20H' + 'yyH' from the computer to the projector.
- (2) The projector returns the response code '1xH' + 'yyH' +data to the computer.

Changing the projector settings

- (1) Send the setting code '3xH' + 'yyH' +data from the computer to the projector.
- (2) The projector changes the setting based on the above setting code.
- (3) The projector returns the response code '1xH' + 'yyH' +data to the computer.

Caution The response data in (3) above need not match the setting data in (1). For example, when the projector cannot set the setting data in (1), the projector may set the closest value. That value will be used as the response data in (3). Or else the projector will return the error code '0xH' + 'yyH' +data.

Using the projector default settings

- (1) The computer sends the default setting code '40H' + 'yyH' to the projector.
- (2) The projector changes the specified setting to the default value.
- (3) The projector returns the default value with the response code '1xH' + 'yyH' =data.

When a command sent by the projector cannot be understood by the computer

- (1) The computer sends the command code '3xH' , '4xH' or '4xH' + 'yyH' +data to the projector.
- (2) When the command sent by the projector cannot be understood, the error command '00H' + 'yyH' is returned by the computer.

When data sent by the projector cannot be understood

- (1) The computer sends the command code '3xH' , '4xH' or '4xH' + 'yyH' +data to the projector.
- (2) When the command sent by the projector cannot be understood, the error code '0xH' + 'yyH' +data is returned.

When the data length is greater than indicated by the data length code, the projector will ignore the excess data code. Conversely, when the data length is shorter than indicated by the data length code, an error code will be returned to the projector.

When a frame error occurs

Repeats 10 times per second until there is some sort of response to the error code 70H + 70H.

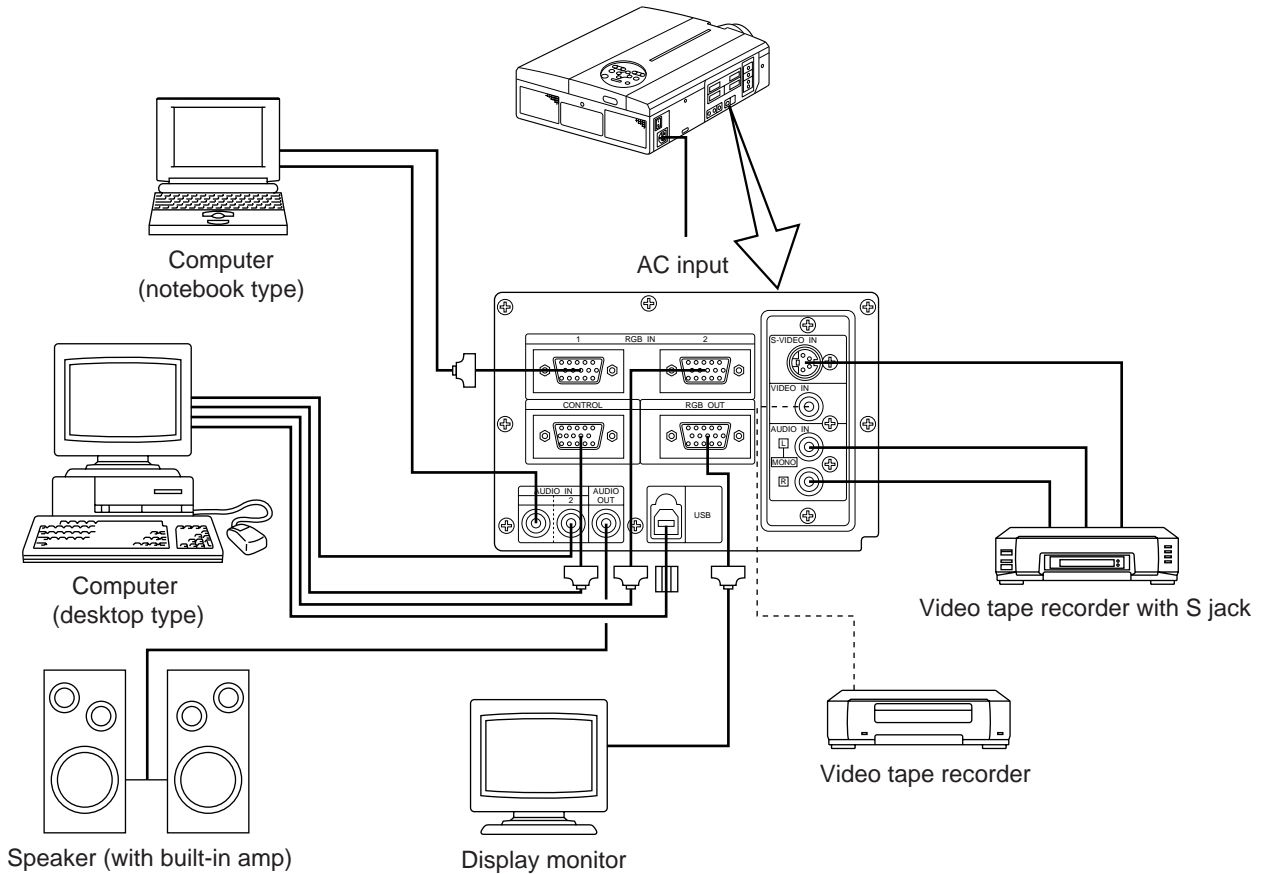
When the interval between bytes in one command is 500ms or greater

When a command or data is not sent within 500ms after the command code '2xH' , '3xH' or '4xH' is sent by the computer, the error command '70H' + '70H' will be returned as soon as the 500ms elapses. After this, if there is no response within 1 sec., a frame error will occur.

Caution

- Operation cannot be guaranteed when the projector receives an undefined command or data.
- Provide an interval of at least 40ms between the response code and any other code.

Example of system setup

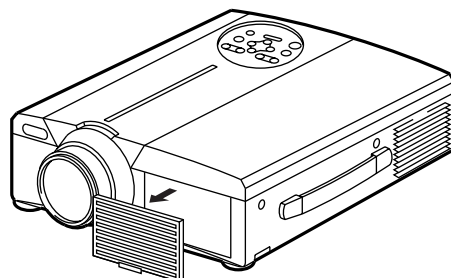


Caution Turn power off to all devices before connecting.
Refer to the instruction manual of each device before connecting.

Cleaning the Air filter

Clean the air filter about every 100 hours of projector use.

- 1 Turn off the MAIN POWER switch of the projector and pull out the power cord.**
- 2 Remove the front air filter.**



Cleaning the Air filter (continued)

3 Clean the air filter with a vacuum cleaner

4 Install the air filter

Caution When the air filter becomes clogged with dust, etc., the projector power may turn off to prevent the internal heat level rising. (The lamp indicator color changes to red.)
Do not operate the projector with the air filter removed. (If used with the air filter removed, dust can enter the LCD panel and produce an adverse effect on image quality.)

Lamp

The light source lamp has a service life.

When used for an extended time, the images may become darker and the colors may deteriorate.

A malfunction could occur if the projector is used in this condition, so replace the lamp with a new one.

The indicator or message appears when the power is turned on, indicating that the lamp should be replaced.

At such time, it is necessary to replace the lamp with a new one. For lamp replacement, please contact BOXLIGHT.

Caution Even when the lamp is at a high temperature, the power to the projector may cut off to prevent an excessive temperature increase inside the projector. (The POWER indicator turns off.) Turn off the MAIN POWER switch, wait for some 20 minutes and turn on the MAIN POWER switch again. If the projector is not recovered after turning on the MAIN POWER switch, please contact BOXLIGHT.

Message table

Screen displays

The following messages are displayed on the screen.

CHANGE THE LAMP"CALL A MAINTENANCE PERSON"	The total lamp usage time is nearing the service life of the lamp. Replace with a new lamp. The lamp will turn off automatically when the lamp replacement time has been exceeded. *1
"CHANGE THE LAMP" "CALL A MAINTENANCE PERSON" "THE POWER WILL TURN OFF AFTER * hr."	The total lamp time is nearing the lamp replacement time. After (*) hours, the lamp will turn off. Quickly replace with a new lamp. *1 *Indicates the number of hours until the lamp turns off automatically.
Blinking of "CHANGE THE LAMP"	The total lamp time has exceeded the replacement time. The indicator will blink for approximately 10 min. and then turn off automatically. Replace with a new lamp.
NO INPUT IS DETECTED	There is no signal input (refer to pages 22, 23).
SYNC IS OUT OF RANGE	The current horizontal or vertical frequency cannot be used by this projector (refer to pages 23, 24).

*1 This display will disappear after 3min. but will reappear when the power is turned on again.

Message table (continued)

Indicators

The POWER indicator, LAMP indicator and TEMP indicator light or blink in the following cases.

POWER indicator	LAMP indicator	TEMP indicator	Status	Processing
Lights orange	Turns off	Turns off	Standby status	_____
Flashes green	Turns off	Turns off	Warming up	_____
Lights green	Turns off	Turns off	Operation status *1	_____
Flashes orange	Turns off	Turns off	Cool down	_____
Lights red	Lights red	Turns off	The lamp does not light. *2 The interior is too hot.	Wait some time (approx. 20 min.) before turning the power on again. Clean the air filter before turning the power on. If the indicator still lights, contact your dealer.
Lights red	Flashes red	Turns off	A lamp has not been inserted or the lamp cover is missing.	Contact BOXLIGHT.
Lights red	Turns off	Flashes red	The cooling fan is not operating.	Contact BOXLIGHT.
Flashes red	Flashes red	Turns off	The total lamp time has exceeded the replacement time.	Contact BOXLIGHT.

When the LAMP or TEMP indicator lights or flashes, turn off the MAIN POWER switch before proceeding. If the problem still persists, contact BOXLIGHT.

*1: When the cooling fan is stopped and the interior becomes overheated, the power will turn off automatically to allow cooling (the indicator will turn off). In such cases, turn off the projector power, allow the set to cool and then turn the projector power on again. The lamp will then light. If the lamp does not light, contact BOXLIGHT.

*2: In some cases, when the air holes become blocked and the interior temperature rises, the lamp will be turned off for protection and the LAMP indicator will flash red. In such cases, turn off the MAIN POWER switch, allow the set to cool (for approx. 20 min.) and then turn the power on again.

Troubleshooting

Before requesting repair, check in accordance with the following chart. If the situation cannot be corrected, then contact BOXLIGHT.

Symptom	Possible cause	Remedy	Page
No power.	<ul style="list-style-type: none"> The main power switch is not turned on. The power cord is disconnected. 	<ul style="list-style-type: none"> Turn on the main power switch. Plug the power cord into an AC power outlet. 	P.13 P.9
No video or audio.	<ul style="list-style-type: none"> The input is not correctly set. No signal input. 	<ul style="list-style-type: none"> Use the projector or remote control to set. Connect correctly. 	P.8,10, 13,19 P.9,31
Video is present but no audio.	<ul style="list-style-type: none"> The projector is not correctly connected. The volume is set to minimum. Mute is turned on. Audio is switched to RGB when P in P is on. 	<ul style="list-style-type: none"> Connect correctly. Press VOLUME + on the remote control or display the menu screen and adjust the volume. Press the MUTE button. Displays the Volume bar and switches the Audio input. 	P.9,31 P.10,18 P.8,10 P.10
Audio is present but no video.	<ul style="list-style-type: none"> The projector is not correctly connected. The brightness adjustment knob is rotated fully clockwise. The lens cap is still on. 	<ul style="list-style-type: none"> Connect correctly. Select BRIGHT with the MENU button and then press the (▶) key. Remove the lens cap. 	P.9,31 P.17 P.13
Colors are pale and color matching is poor.	Color density and color matching are not correctly adjusted.	Adjust the video.	P.18
Images are dark.	<ul style="list-style-type: none"> Brightness and contrast are not correctly adjusted. The lamp is nearing the end of its service life. 	<ul style="list-style-type: none"> Adjust the video. Replace with a new lamp. 	P.18 P.32
Video is blurred.	Focus or H PHASE is out of adjustment.	Adjust the focus or H PHASE.	P.13,18
The LAMP indicator lights red.	Lamp failure.	Wait approximately 20 min. and then turn the power on again.	P.33
	Internal overheating.	<ul style="list-style-type: none"> Make sure the ventilation openings are not blocked. Clean the air filter. Lower the ambient temperature to 35 degrees C or less. 	P.31,32

A bright dot may be seen in the picture. This is a phenomenon peculiar to the liquid crystal and is not a problem.

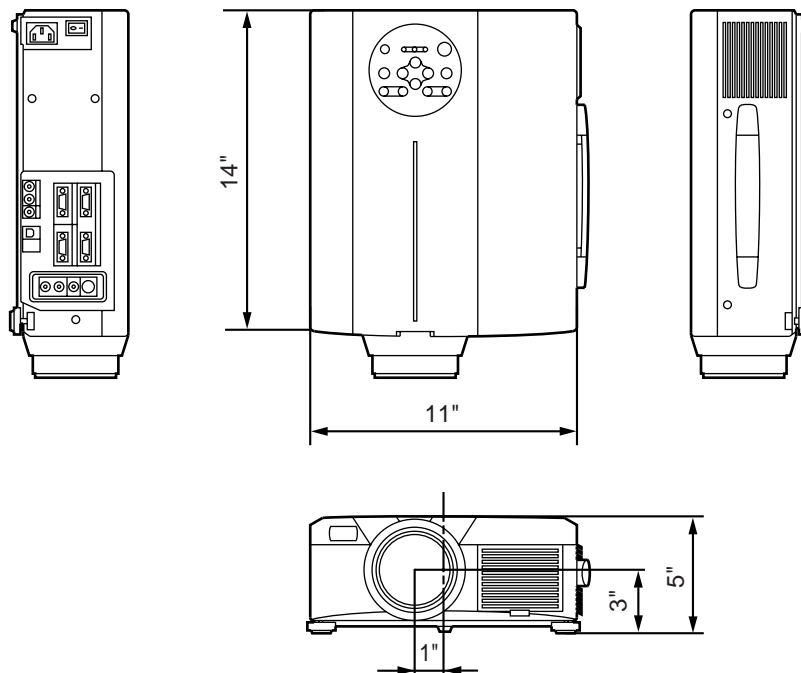
Specifications

· These specifications are subject to change without notice.

Product name		Liquid crystal projector
Model		MP-650i
Display method		Three liquid crystal panels, three primary color system.
Liquid crystal panel	Panel size	3.3 cm (1.3 type)
	Drive system	TFT active matrix
	Number of pixels	786,432 pixels (1,024 horizontal × 768 vertical)
Lens		Zoom lens F=1.7~2.3 f=49~64mm
Lamp		190w UHB
Speaker		1.2W + 1.2W (Stereo)
Power supply		AC100 ~ 120V, 3.7A / AC220 ~ 240V, 1.5A.
Power consumption		320W
Operating temperature range		0 ~ 35°C
Size		11" (W) × 5" (H) × 14" (D), 289mm(W) × 124mm(H) × 345mm(D)
Weight (mass)		13 lbs, 5.9kg
VIDEO signal input jacks		S VIDEO: mini DIN 4-pin jack VIDEO: RCA jack AUDIO: RCA jack
RGB signal input/output jacks		RGB signals: D-sub 15-pin shrink jack Audio: stereo mini-jack
CONTROL signal jack		D-sub 15-pin shrink jack
USB jack		B type

Dimensional Diagram

Unit: inches



About the warranty and after-service

LIMITED WARRANTY

BOXLIGHT CORPORATION (“BOXLIGHT”) warrants that each Boxlight MP-650i (“the Product”) sold hereunder will conform to and function in accordance with the written specifications of BOXLIGHT. Said limited warranty shall apply only to the first person or entity that purchases the Product for personal or business use and not for the purpose of distribution resale. Said warranty shall continue for a period of two (2) years from the date of such purchase. BOXLIGHT does not warrant that the Product will meet the specific requirements of the first person or entity that purchases the Product for personal or business use. Lamp is warranted for 120 days.

BOXLIGHT CORPORATION’s liability for the breach of the foregoing limited warranty is limited to the repair or replacement of the Product or refund of the purchase price of the Product, at BOXLIGHT’s sole option. To exercise the Purchaser’s rights under the foregoing warranty, the Product must be returned at the Purchaser’s sole cost and expense, to BOXLIGHT or any authorized service center provided, however, that the Product must be accompanied by a written letter explaining the problem and which includes (i) proof of purchase; (ii) the dealer’s name; (iii) the model and serial number of the Product. A return authorization number, issued by the BOXLIGHT customer service department, must also be clearly displayed on the outside of the shipping carton containing the Product.

WARRANTY LIMITATION AND EXCLUSION

BOXLIGHT CORPORATION shall have no further obligation under the foregoing limited warranty if the Product has been damaged due to abuse, misuse, neglect, accident, unusual physical or electrical stress, unauthorized modification, tampering, alterations, or service other than by BOXLIGHT or its authorized agents, causes other than from ordinary use or failure to properly use the Product in the application for which said Product is intended.

DISCLAIMER OR UNSTATED WARRANTIES

The warranty printed above is the only warranty applicable to this purchase.

All other warranties express or implied, including, but not limited to, the implied warranties of merchantability and fitness for a particular purpose are disclaimed. There are no warranties that extend beyond the face of hereof and the foregoing warranty shall not be extended, altered or varied except by written instrument signed by BOXLIGHT CORPORATION.

LIMITATION OF LIABILITY

It is understood and agreed that BOXLIGHT’s liability whether in contract, in tort, under any warranty, in negligence or otherwise, shall not exceed the return of the amount of the purchase price paid by purchaser and under no circumstances shall BOXLIGHT be liable for special, indirect or consequential damages. The price stated for the Product is a consideration in limiting BOXLIGHT’s liability. No action regardless of form, arising out of the agreement to purchase the product, may be brought by purchaser more than one year after the cause of action has accrued.



Boxlight
19332 Powder Hill Place
Poulsbo, WA 98370-7407 USA
www.boxlight.com
U.S. and Canada 800-762-5757
International 360-779-7901

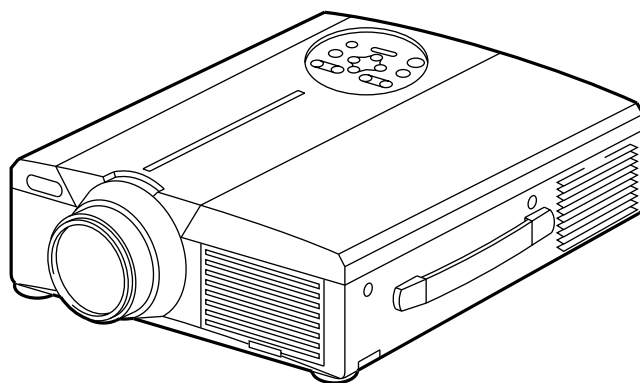
Flüssigkristall-Projektor

Modell

MP-650i

BEDIENUNGSANLEITUNG

Herzlichen Glückwunsch zum Kauf dieses LCD-Projektors. Zum sachgemäßen Gebrauch lesen Sie bitte das vorliegende Handbuch sorgfältig durch. Bewahren Sie die Anleitung anschließend für späteres Nachschlagen an einem sicheren Platz auf.



Kurzbeschreibung

Dieser LCD-Projektor dient zum Projizieren von Computergrafiken und NTSC/PAL/SECAM-Videobildern auf eine Leinwand. Großflächige Projektion ist problemlos möglich, und das Gerät benötigt zur Aufstellung nur wenig Platz.

Merkmale

(1) Hervorragende Helligkeit

Die UHB-Lampe und die Hochleistungsoptik des Geräts sorgen zusammen für optimale Bildhelligkeit.

(2) Partielle Vergrößerungsfunktion

Interessante Bildteile können für nähere Betrachtung vergrößert werden.

(3) Verzerrungskorrekturfunktion

Verzerrungsfreie Bilder sind schnell verfügbar.

(4) Motorzoom und Powerfokus.

(5) Bild-in-Bild Funktion

(6) USB-Buchse

Inhalt

Seite

Vor der Inbetriebnahme	3
Überprüfung des Lieferumfangs	8
Bezeichnung und Funktion der Teile	8
Aufstellung	12
Grundlegende Bedienung	13
Einstellungen und Funktionen	17
Anschluß an die Video-Eingangsbuchsen	22
Anschluß an die RGB-Buchse	22
Anschluß der USB-Maus	25
Anschluß an die Steuersignalebene	26
Systemübersicht (Beispiel)	31
Reinigen des Luftfilters	31
Lampe	32
Meldungstabelle	32
Störungssuche	33
Technische Daten	34
Garantie und Kundendienst	35

Vor der Inbetriebnahme

<Vor dem Betrieb>

Bedeutung der Symbole

Zugunsten der korrekten Bedienung des Geräts befinden sich in dieser Anleitung sowie auf dem Projektor selbst bestimmte Symbole, die auf Sicherheitsrisiken und entsprechende Vorsichtsmaßnahmen hinweisen, um Körperverletzungen und Sachschäden zu vermeiden. Die Bedeutung dieser Symbole ist nachfolgend erklärt. Es ist wichtig, daß Sie die folgenden Sicherheitshinweise aufmerksam durchlesen und verstehen.



WARNUNG

Dieses Symbol weist auf Vorsichtsmaßnahmen hin, deren Mißachtung bei falscher Bedienung zu körperlichen Verletzungen mit möglicher Todesfolge führen können.



VORSICHT

Dieses Symbol weist auf Vorsichtsmaßnahmen hin, deren Mißachtung bei falscher Bedienung zu Personenverletzungen oder Sachschäden führen können.

Typische Symbole



Dieses Symbol weist auf eine zusätzliche Warnung (einschließlich Vorsichtsmaßnahmen) hin, wobei eine Abbildung den Textinhalt verdeutlicht. (Das linksstehende Symbol deutet auf Gefahr durch elektrische Schläge hin.)



Dieses Symbol weist auf eine unzulässige Handlung hin, wobei eine Abbildung den Textinhalt verdeutlicht. (Das linksstehende Symbol bedeutet, daß das Gerät oder eine bestimmte Baugruppe nicht zerlegt werden darf.)



Dieses Symbol weist auf eine Pflichthandlung hin, wobei eine Abbildung den Textinhalt verdeutlicht. (Das linksstehende Symbol bedeutet, daß der Netzstecker aus der Steckdose zu ziehen ist.)

[Sicherheitshinweise]

Warnung

■ Bei Auftreten von Betriebsstörungen

- Bei fremden Gerüchen oder Rauchentwicklung kann eine Fortsetzung des Betriebs zu Bränden oder elektrischen Schlägen führen. Schalten Sie das Gerät in diesem Fall sofort aus, und ziehen den Netzstecker aus der Steckdose. Wenden Sie sich anschließend zwecks Reparatur an Ihren Fachhändler, wenn kein Rauch oder fremde Gerüche mehr vorhanden sind. Versuchen Sie niemals das Gerät eigenhändig zu reparieren, um bestehende Sicherheitsrisiken zu vermeiden.
- Wenn kein Bild oder kein Ton vorhanden ist, oder der Ton verzerrt ist, sollte der Projektor nicht verwendet werden. Eine Fortsetzung des Betriebs in diesem Zustand kann zu Bränden oder elektrischen Schlägen führen. Schalten Sie das Gerät in diesem Fall sofort aus, ziehen Sie den Netzstecker aus der Steckdose, und wenden Sie sich zwecks Reparatur an Ihren Fachhändler.
- Falls Wasser in den Projektor eindringt, schalten Sie das Gerät sofort aus, ziehen Sie den Netzstecker aus der Steckdose, und wenden Sie sich zwecks Reparatur an Ihren Fachhändler.



Den Netzstecker aus der Steckdose ziehen.

■ Nicht auf unstablen Flächen aufstellen.

- Stellen Sie den Projektor nicht auf unstablen Flächen, wie z.B. auf einem wackeligen Gerüst, oder auf schrägen Unterböden auf, da das Gerät hierdurch herunterfallen und Verletzungen verursachen kann.



■ Niemals das Gehäuse öffnen.

- Öffnen Sie niemals das Gehäuse des Projektors. Im Inneren des Gehäuses befinden sich Hochspannungsteile, die elektrische Schläge verursachen können. Wenden Sie sich zur Inspektion der Bauteile, Einstellung und Reparatur an Ihren Fachhändler.



Nicht zerlegen.



Gefahr elektrischer Schläge.

■ Nicht modifizieren.

Der Projektor darf nicht baulich verändert werden, da hierbei die Gefahr elektrischer Schläge besteht.



Nicht zerlegen.

■ Niemals im Badezimmer verwenden.

Verwenden Sie den Projektor niemals im Badezimmer, da hierbei die Gefahr elektrischer Schläge besteht.



Nicht in der Nähe von Wasser verwenden.

■ Keine Fremdkörper ins Gehäuse stecken.

- Stecken Sie keine Metallobjekte in die Belüftungsöffnungen usw. des Projektors, und achten Sie darauf, daß keine derartigen Objekte ins Gehäuse fallen, da hierdurch Brände und elektrische Schläge entstehen können.



- Falls ein Fremdkörper in das Gehäuse gelangt, schalten Sie das Gerät sofort aus, ziehen Sie den Netzstecker aus der Steckdose, und wenden Sie sich zwecks Reparatur an Ihren Fachhändler.



Den Netzstecker aus der Steckdose ziehen.

Eine Fortsetzung des Betriebs in diesem Zustand kann zu Bränden oder elektrischen Schlägen führen. Besondere Vorsicht ist in Haushalten mit Kindern geboten.

■ Nicht bei eingeschalteter Lampe durch das Objektiv schauen.



Blicken Sie niemals bei eingeschalteter Lampe durch das Objektiv. Das extrem helle Licht kann das Sehvermögen beeinträchtigen. Besondere Vorsicht ist in Haushalten mit Kindern geboten.


■ Erschütterungen und Stöße gegen den Projektor vermeiden.


Falls das Gehäuse des Projektors durch Herunterfallen beschädigt wird, schalten Sie das Gerät sofort aus, ziehen Sie den Netzstecker aus der Steckdose, und wenden Sie sich zwecks Reparatur an Ihren Fachhändler. Eine Fortsetzung des Betriebs in diesem Zustand kann zu Bränden oder elektrischen Schlägen führen.




Den Netzstecker aus der Steckdose ziehen.

Warnung


- **Den Projektor niemals in einen Behälter stellen, der Flüssigkeit enthält. Stellen Sie niemals Blumenvasen, Blumentöpfe, Tassen, Kosmetika oder Flüssigkeiten jeglicher Art auf den Projektor.** Ein Verschütten kann zu Bränden oder elektrischen Schlägen führen. 

- **Nur mit der korrekten Netzspannung betreiben.**  Betreiben Sie den Projektor ausschließlich mit der vorgeschriebenen Netzspannung. Ein Anschluß an andere Netzversorgungsquellen kann zu Bränden oder elektrischen Schlägen führen.

- **Das Netzkabel vorsichtig handhaben.** 
 - **Das Netzkabel nicht beschädigen, kürzen, modifizieren oder knicken.** Das Netzkabel niemals erhitzen, daran ziehen oder schwere Gegenstände darauf stellen. Derartige Handlungen können zu Bränden oder elektrischen Schlägen führen.

- Nicht am Netzkabel ziehen.
- Keine schweren Gegenstände auf das Kabel stellen.
- Das Kabel vor Beschädigung schützen.
- Nicht in der Nähe von Heizkörpern verlegen.

- **Das Netzkabel nicht unter dem Projektor verlegen.** Hierdurch können Brände oder elektrischen Schläge verursacht werden. Ebenso sollte das Kabel nicht durch einen Teppich oder dergleichen verdeckt werden, da versehentlich schwere Gegenstände auf das verdeckte Kabel gestellt werden könnten.


- Wenden Sie sich an Ihren Fachhändler, falls das Netzkabel beschädigt ist (freiliegende oder gebrochene Kabeladern usw.), da eine Weiterverwendung zu Bränden oder elektrischen Schlägen führen kann. 

- Darauf achten, daß der Netzstecker nicht verstaubt ist und durch Einschieben einer Messerklinge auf Lockerung überprüfen.

- **Den Lasterstrahl des Fernbedienungsteils nicht auf die Augen von Personen richten.**

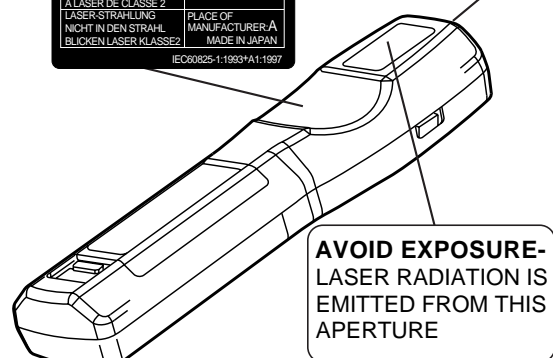
- Aus dem Fernbedienungsteil geht ein Laserstrahl aus. Schauen Sie niemals direkt in das Laserfenster des Fernbedienungsteils, und richten Sie den Laserstrahl nicht direkt auf andere Personen.

Auf die Augen treffende Laserstrahlen können das Sehvermögen gefährden. Besondere Vorsicht ist in Haushalten mit Kindern geboten.

- **Da bei eingeschalteter Lampe hohe Temperaturen erzeugt werden, dürfen keine Gegenstände vor die Linse gelegt werden.** 



Laserstrahlfenster



Vorsicht

■ **Nicht auf den Projektor setzen und keine schweren Gegenstände darauf ablegen.**

● **Nicht auf den Projektor setzen.**

Der Projektor kann hierdurch umfallen und Verletzungen verursachen. Besondere Vorsicht ist in Haushalten mit Kindern geboten.



● **Durch Auflegen schwerer Gegenstände kann der Projektor umfallen und Verletzungen verursachen.**

Wenn schwere Gegenstände auf den Projektor gestellt werden, besteht die Gefahr des Umkippen oder Herunterfallens, wodurch Unfälle mit Verletzungen verursacht werden können.

■ **Die Belüftungsöffnungen nicht blockieren. Die Belüftungsöffnungen des Projektors freihalten.**

Ein Blockieren dieser Öffnungen kann zu Brandentwicklung durch Überhitzen führen. Den Projektor nicht auf die Seite stellen und nicht in enge, schlecht belüftete Nischen schieben. Weiterhin sollte der Projektor nicht auf Teppichen abgestellt oder mit Tischdecken o. dergl. verdeckt werden. Bei der Aufstellung des Projektors darauf achten, daß die Belüftungsöffnungen mindestens 30 cm von der Wand entfernt sind.



■ **Wartung und Pflege**

Vor der Wartung und Pflege des Projektors aus Sicherheitsgründen das Netzkabel von der Steckdose trennen.



Den Netzstecker aus der Steckdose ziehen.

■ **Batteriebetrieb**

● **Den Projektor ausschließlich mit Batterien des vorgeschriebenen Typs betreiben.** Niemals neue zusammen mit alten Batterien einlegen, da Batterien hierdurch platzen und Brände auslösen oder Verletzungen durch auslaufende Batteriesäure verursachen können.



● **Beim Einlegen der Batterien auf die korrekte Ausrichtung der Plus- und Minuspole achten.**

Falsches Einlegen der Batterien kann



zu Verletzungen oder zur Verschmutzung der Umgebung durch giftige Batteriesäure führen.

■ **Den Projektor alle zwei Jahre innen säubern lassen.**

Lassen Sie den Projektor etwa alle zwei Jahre von einem Fachhändler innen säubern. Im Projektor angesammelter Staub kann zu Bränden oder Betriebsstörungen führen, falls der Projektor längere Zeit nicht gesäubert wurde. Durch Säubern des Projektors vor Beginn einer luftfeuchten Jahreszeit (Regenzeit o. dergl.) lassen sich besonders gute Ergebnisse erzielen. Auskünfte hierzu erteilt der Fachhandel.



■ **Nicht an luftfeuchten oder staubigen Plätzen aufstellen.**

● **Den Projektor nicht an luftfeuchten oder staubigen Plätzen aufstellen,** da hierdurch Brände oder elektrische Schläge verursacht werden können.



● **Aufstellplätze in der Nähe einer Kochstelle oder eines Luftbefeuchters vermeiden sowie Plätze, an denen öliger Rauch oder hohen Luftfeuchtigkeit vorhanden ist.** Derartige Umgebungen können Brände oder elektrische Schläge verursachen.

■ **Die Fußrollenbremse verwenden.**

Bei der Aufstellung des Projektors auf einem Stand mit Fußrollen ist die Fußrollenbremse zu verwenden, um ein Umfallen oder Wegrutschen des Stands und mögliche Personenverletzungen zu vermeiden.



■ **Vorsicht beim Umgang mit dem Netzkabel.**

● **Das Netzkabel von Heizkörpern entfernt halten.** Andernfalls kann die Kabelisolierung schmelzen und Brände oder elektrische Schläge die Folge sein.



● **Den Netzstecker nicht mit nassen Händen berühren,** um elektrische Schläge zu vermeiden.

Vorsicht

- **Den Netzstecker niemals durch Ziehen am Kabel von der Steckdose trennen.** Brände oder elektrische Schläge ausgelöst werden. Den Netzstecker deshalb stets am Stecker haltend aus der Steckdose ziehen.

■ **Wenn der Projektor längere Zeit nicht benutzt wird:**

Wird der Projektor, z.B. aufgrund einer bevorstehenden Reise o. dergl., über längere Zeit nicht benutzt, sollte aus Sicherheitsgründen der Netzstecker aus der Steckdose gezogen werden. Darüber hinaus sollte der Objektivdeckel angesetzt werden, um die Objektivoberfläche vor Kratzern zu schützen.



Den Netzstecker aus der Steckdose ziehen.

■ **Transport des Projektors**

- Beim Transport des Projektors immer sicherstellen, daß der Objektivdeckel aufgesetzt ist, der Netzstecker aus der Steckdose gezogen ist und alle externen Anschlüsse abgetrennt sind.



Den Netzstecker aus der Steckdose ziehen.

Den Projektor vor Erschütterungen und Stößen bewahren, um Betriebsstörungen zu vermeiden.

- Bei einer Aufstellung im Freien, ist der Projektor vor Nässe durch Regen usw. zu schützen. Sollte der Projektor versehentlich naß werden, muß er vor der weiteren Verwendung vollständig trocken gewischt werden. Ein fortgesetzter Betrieb im nassen Zustand kann zu Bränden oder elektrischen Schlägen führen.



[Allgemeine Sicherheitshinweise]

■ **Übermäßig heiße Plätze vermeiden.**

Den Projektor nicht an Plätzen aufstellen, an denen das Gerät direkter Sonnenbestrahlung oder Wärmequellen, wie z.B. einem Herd, ausgesetzt ist. Andernfalls können Gehäuse und Innenbauteile durch die Hitzeeinwirkung beschädigt werden.



■ **Lautstärke**

Die Lautstärke aus Rücksicht auf andere Leute auf einen angemessenen Pegel einstellen. Bei Nacht sollte die Lautstärke niedrig eingestellt und die Fenster geschlossen werden, um Nachbarn nicht zu verärgern.

■ **Objektivpflege**

Das Objektiv mit einem handelsüblichen Reinigungstuch (für Objektive, Brillengläser usw.) sauber wischen. Darauf achten, das Objektiv nicht mit harten Objekten zu verkratzen.



■ **Gehäusepflege**

- Durch Abwischen mit flüchtigen Lösungen, wie

z.B. Benzol, Verdünner usw., kann sich das aus Kunststoff bestehende Gehäuse verfärben oder der Lack abblättern.

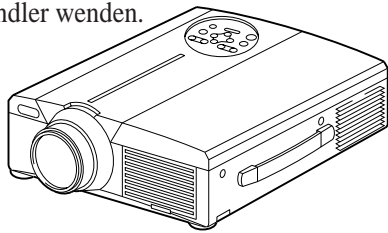
- Bitte vor dem Abwischen mit chemischen Mitteln die aufgedruckten Anweisungen lesen und befolgen.
- Niemals flüchtigen Substanzen (wie z.B. Insektenschutzmittel) auf das Gehäuse sprühen, um ein mögliches Verfärben oder eine Beschädigung der Lackierung usw. zu vermeiden.
- Zum Sauberwischen von Gehäuse und Bedienfeld ein weiches Tuch verwenden. Bei starker Verschmutzung eine neutrale Reinigungslösung mit Wasser verdünnen und ein Tuch darin anfeuchten und auswringen. Nach dem Sauberwischen mit einem trockenen Tuch nachwischen. Niemals unverdünnte Reinigungslösung direkt auf das Gehäuse auftragen.

■ **Längerer Betrieb**

Bei längerem Betrieb sollten zwischendurch Pausen eingelegt werden, um einer Ermüdung der Augen vorzubeugen.

Überprüfung des Lieferumfangs

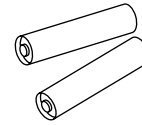
Den Kartoninhalt überprüfen und vergewissern, daß alle Teile vollständig vorhanden sind. Falls Teile fehlen, bitte an Ihren Fachhändler wenden.



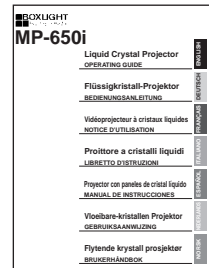
Projektor



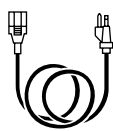
Fernbedienungsteil



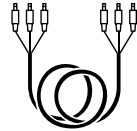
Batterien für Fernbedienungsteil



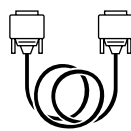
Bedienungsanleitung (diese Anleitung)



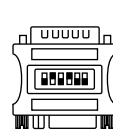
Netz Kabel 110V-USA
Europa



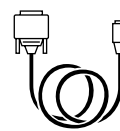
3-Stecker
Video/Audio-kabel



RGB-Kabel
(15-15 pin M/M)



Mac-Adapter
mit DIP-Schalter



Mauskabel x 3

Bezeichnung und Funktion der Teile

Projektor

Zoomtaste (ZOOM)

Diese Taste dient zum Einstellen der Bildgröße (siehe Seite 13).

Stummschalttaste (MUTE)

Diese Taste dient zum Ein- und Ausschalten des Tons. Zum Ausschalten des Tons einmal drücken und zum Wiedereinschalten noch einmal drücken.

Bereitschafts-/Ein-Taste (STANDY/ON)

Diese Taste dient zum Ein- und Ausschalten der Netzversorgung. Nach dem Ausschalten befindet sich Projektor im Bereitschaftsmodus. Einzelheiten hierzu enthält die Seite 13 und 14.

Lampenanzeige (LAMP)

Leuchtet oder blinkt, wenn die Temperatur im Projektor ansteigt oder die Lampe nicht brennt. Einzelheiten hierzu auf Seite 33.

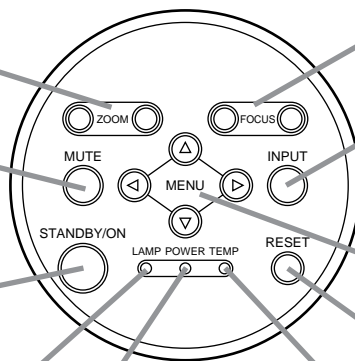
Die Betriebsanzeige (POWER)

Dieses Lämpchen leuchtet oder blinkt im Bereitschaftsmodus und während des Betriebs. Einzelheiten hierzu auf Seite 33.

Infrarotempfänger für Fernbedienung

Objektiv

Objektivdeckel



Fokustaste (FOCUS)

Diese Taste dient zum Scharfstellen des Bilds auf der Leinwand stellen (siehe Seite 13).

Eingangswahltaste (INPUT)

Diese Taste zum Umschalten auf eine andere Eingangsquelle drücken. Die Eingangsquelle wechselt bei jedem Tastendruck in der nachstehenden Reihenfolge:



Menütaste (MENU)

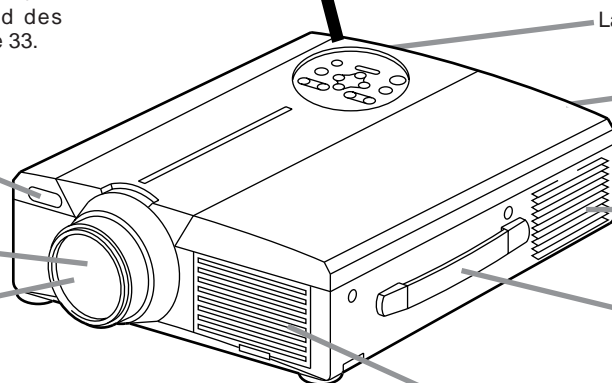
Diese Taste dient zum Abrufen des Menübilds. Einzelheiten hierzu auf Seite 17 - 21.

Rückstelltaste (RESET)

Diese Taste dient zum Rückstellen auf die werksseitig voreingestellten Werte. Einzelheiten hierzu auf Seite 10.17.25.26

Temperatur-Warnleuchte (TEMP)

Blinkt, wenn der Ventilator versagt. Einzelheiten hierzu auf Seite 33.



Lautsprecher

Lautsprecher

Gebläse (Auslaßseite)

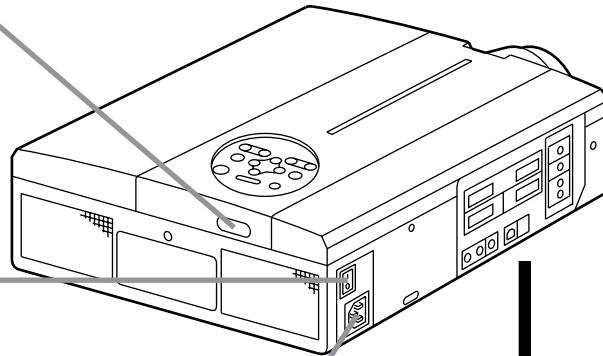
Tragegriff

Gebläse (Einlaßseite)

- Das Fernbedienungsteil in einem Abstand von etwa 5 m oder weniger vor dem Empfangsfenster für Fernsteuerungssignale verwenden und dabei in einem Winkel von 30 Grad nach links und rechts halten.

Bezeichnung und Funktion der Teile (Fortsetzung)

Infrarotempfänger für Fernbedienung



Hauptnetzschalter

Dient zum Ein- und Ausschalten des Geräts
 ○ : OFF
 | : ON

Netzeingangsbuchse (AC IN)

Dient zum Anschließen des Zusatznetzkaabels.

Videoeingangsbuchse (VIDEO IN)

- S-Video-Eingangsbuchse (S-VIDEO IN)
Vierpolige DIN-Minibuchse
- Video-Eingangsbuchse (VIDEO IN)
RCA-Buchse
- L/R-Audio-Eingangsbuchse (AUDIO L/R IN)
RCA-Buchse

⚠Vorsicht **Anschluß an die Netzeingangsbuchse (AC IN)**

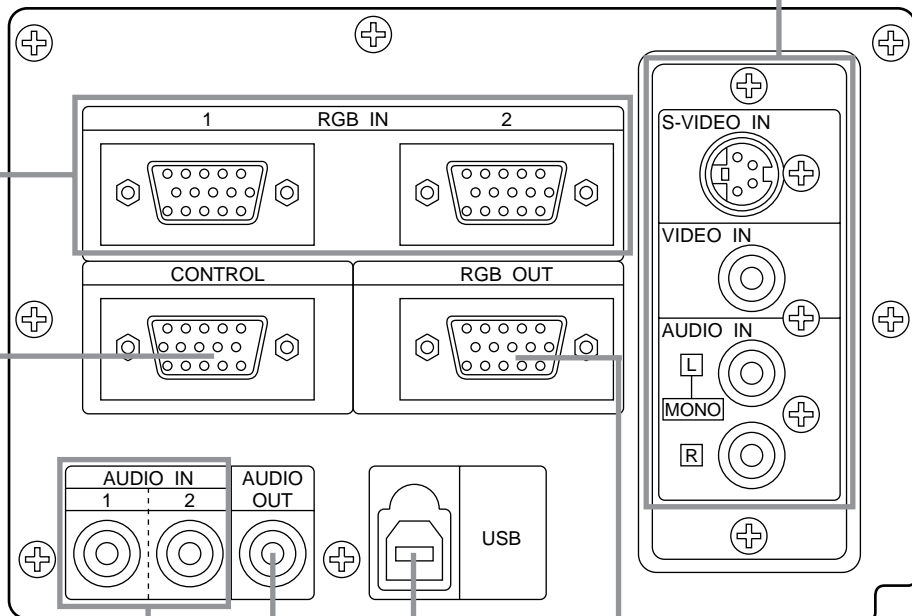
Darauf achten, den Stecker des Zusatznetzkaabels so weit wie möglich in die Buchse AC IN einzuschieben. Ein lockerer Anschluß kann zu Bränden oder elektrischen Schlägen führen.

RGB-Eingangsbuchse (RGB IN)

15polige D-sub-Halbformatbuchse (1/2)

Steuerbuchse (CONTROL)

15polige D-sub-Halbformatbuchse



Audioeingangsbuchse (AUDIO IN)(RGB)

Stereo-Minibuchse

USB-buchse

Der Mauscursor kann durch Anschluß an die externe Mausschnittstelle eines Personal Computers ferngesteuert werden.

RGB-Ausgangsbuchse (RGB OUT)

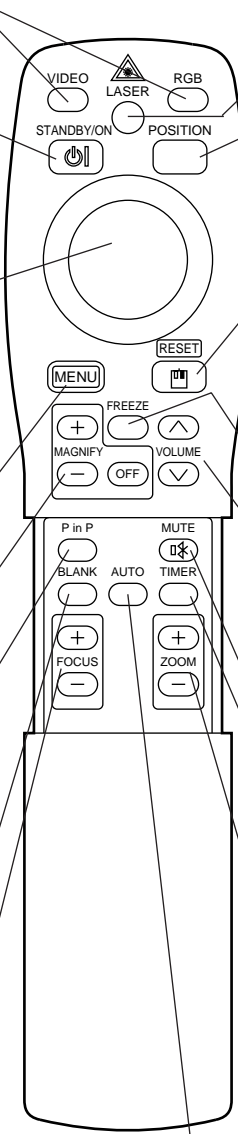
15polige D-sub-Halbformatbuchse

Audioausgangsbuchse (AUDIO OUT - RGB/VIDEO)

Stereo-Minibuchse

Bezeichnung und Funktion der Teile (Fortsetzung)

Fernbedienungsteil



VIDEO-, RGB-Taste
Diese Taste dient zum Wählen der Eingangsquelle (siehe Seite 13, 19).

Bereitschafts-/Ein-Taste (STANDY/ON)
Diese Taste dient zum Ein- und Ausschalten der Netzversorgung. 1 Sekunde oder länger drücken, um das Gerät auszuschalten (auf Bereitschaftsbetrieb). (Siehe Seite 13 und 14)

*** Steuerfläche (DISK PAD) / LINKE MAUS - Taste** *4
(1) Dient zum Wählen von Menügegenständen nach Abruf des Menüs (siehe Seite 16-18).
(2) Wenn das Menü* nicht erscheint, die Maus-Verschiebungsfunktion wählen und zum Aktivieren links auf Funktion klicken.
*1 (3) Nach dem Drücken der Taste POSITION kann das Bild nach oben, unten, links und rechts bewegt werden.

*** Menü-Taste (MENU)**
Dient zum Ein- und Ausschalten der Bildschirmanzeige. (Siehe Seite 17 - 21).

*** Vergrößerungstaste (MAGNIFY)**
Dient zum Vergrößern des gezeigten Bildes. (Siehe Seite 16).

*** Bild-in-Bild-Taste (P IN P)** *2
Zum Einschalten der Bild-in-Bild Funktion (Zeigt ein kleines Videosignalsbild im RGB-Signal).
Bei jedem Tastendruck wird der Betrieb in der folgenden Reihenfolge umgeschaltet:
→ (1) Neben-Bildschirm verkleinern →
(2) Neben-Bildschirm vergrößern → (3) Aus.
(1) ~ (3)
(Siehe Seite 20).

Schwarzabstastung-Taste (BLANK)
Zum Ein- und Ausschalten der Schwarzabstastung. (Siehe Seite 20)

Fokustaste (FOCUS)
Diese Taste dient zum Scharfstellen des Bilds auf der Leinwand (siehe Seite 13).

LASER-Taste (LASER)
Diese Taste dient zum Ein- und Ausschalten des Laserstrahls. Siehe Seite 11 über Verwendung und Vorsichtsmaßnahmen.

*** Position-Taste (POSITION)**
Position drücken, und dann das Maus-Diskpad verwenden, um die Bildposition zu verschieben (nur RGB-Modus). (Siehe Seite 16).

*** Mausrückstell-/Rechtstaste (MOUSE / RESET RIGHT)**
(1) Funktioniert bei angezeigtem Menü als Rückstelltaste. Diese Taste drücken, um zu den Anfangseinstellungen zurückzukehren.
(2) Dient zum Anklicken der rechten Maustaste, wenn das Menü nicht angezeigt ist (siehe Seite 25, 26).
*1 (3) Wenn diese Taste nach dem Rollen des Bildes mit POSITION gedrückt wird, wird das Bild in Ausgangsstellung zurückgestellt.

*** Standbildtaste (FREEZE)**
Zum Ein- und Ausschalten der Festhalten-Funktion (Standbild). (Siehe Seite 15).

Lautstärketaste (VOLUME)
Diese Taste dient zum Einstellen der Lautstärke des Tons. Ein Drücken der Plusstaste [^] erhöht und ein Drücken der Minustaste [v] senkt die Lautstärke. Wenn kein Videosignaleingang vorhanden ist, ist Betrieb nicht möglich, wenn das Eingangsvideosignal außerhalb des Synchronisationsbereiches ist.

*** Stummschalttaste (MUTE)**
Diese Taste schaltet den Ton stumm. (Zum Annullieren die Taste MUTE erneut drücken.)

Zeituhr-Taste (TIMER)
Schaltet die Anzeige der Zeiteinstellung durch den Timer auf dem Menü-Bildschirm Ein und Aus.
Der Timer wird nicht angezeigt, wenn "KEIN EINGANGSSIGNAL ERKANNT" wird, wenn "SYNC LIEGT AUSSERHALB DES BEREICHS" angezeigt wird oder während dem Austasten (blanking) oder Einfrieren (freezing) des Bildschirms. Siehe Seite 21 über die Methode zur Einstellung des Timers.

Zoomtaste (ZOOM)
Diese Taste dient zum Einstellen der Bildgröße (siehe Seite 13).

*** Automatikmodustaste (AUTO)** *3
Zum Ausführen der automatischen Einstellung.

*Diese Funktionen sind nicht in Betrieb, während die anfängliche Bildschirmmeldung "KEIN EINGANG ERKANNT" oder "SYNC LIEGT AUSSERHALB DES BEREICHS" angezeigt wird.

*1 POSITION Symbol

Wenn die POSITION-Taste gedrückt wird, erscheint das bewegliche Display-Symbol unten rechts auf dem Bildschirm.
Während das Symbol angezeigt wird, können Sie die POSITION-Taste bedienen.



*2 "P in P"- Funktion.

Mit der P in P-Funktion werden Signale zu sowohl RGB als auch VIDEO angelegt. Diese Funktion arbeitet nur, wenn das RGB-Signal gewählt ist. Es gibt kein Display, wenn kein Signal vorhanden ist, und wenn das Signal außerhalb des Sync-Bereichs ist.

Wenn Bild-in-Bild verwendet wird, wird Audio automatisch auf Video umgeschaltet. Bei Bild-in-Bild kann der Toneingang automatisch durch Drücken der Tasten VOL ^ und VOL v an der Fernbedienung umgeschaltet werden, wobei der Audiobalken gezeigt wird und indem das DISK-PAD während der Anzeige nach links und rechts verschoben wird.



*3 Auto-Einstellfunktion

Der Projektor stellt automatisch 4 Punkte ein (V.POSIT, H.POSIT, H.PHASE, H.SIZE)
Wenn Sie AUTO wählen (den Cursor aus der manuellen Bedienposition nach rechts bewegen), erscheint das AUTO-Bestätigungsmenü wie unten gezeigt.

*4 Bedienungsweise des "Disk Pad" (kreisförmige Schaltfläche)

- Zum Bewegen und Auswählen kippen Sie das "Disk Pad" in die gewünschte Richtung.
- Drücken Sie die "Disk Pad" - Schaltfläche ein, um die Funktion der linken Maustaste auszuführen.
- Ein Mauskabel wird benötigt, wenn eine Maus verwendet werden soll. (Siehe Seite 26 und 27.)

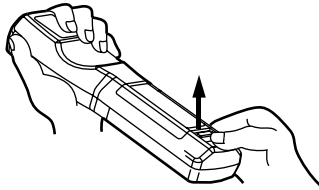
Bezeichnung und Funktion der Teile (Fortsetzung)

- Vorsicht**
- Die automatische Einstellung kann bis zu 30 Sekunden in Anspruch nehmen.
 - Auto-Einstellung arbeitet möglicherweise in bestimmten Situationen nicht korrekt, je nach angeschlossenem Computer und Signal.
 - Immer sicherstellen, daß die Bilder auf Vollgröße ausgedehnt werden, wenn Bilder mit niedriger Auflösung gezeigt werden.
 - Nach der Auto-Einstellung kann das Bild in manchen Fällen aufgrund der automatischen Einstellung des Signalpegels leicht dunkel erscheinen.
 - Auto-Einstellung kann nicht ausgeführt werden, wenn die anfängliche Anzeige "NO INPUT IS DETECTED" oder "SYNC IS OUT OF RANGE" bei FREEZE oder MAGNIFY ist.
 - Die "Auto Adjust" - Funktion (automatische Nachstellung) wird ausgeführt, wenn folgende Operationen durchgeführt werden.
 1. Wenn die Art des Eingangssignals geändert wird.
 2. Wenn die "Auto Adjust" (AUTO) - Taste gedrückt wird.
 - Die Meldung AUTO IN PROGRESS erscheint während der automatischen Nachstellung auf dem Bildschirm.
 - Die Bildschirmanzeige kann während der automatischen Nachstellung unterbrochen werden. Dies ist jedoch keine Fehlfunktion.
 - Nur die Ports RGB1 oder RGB2 können für das Eingangssignal verwendet werden.
 - Die "Auto Adjust" - Funktion kann auch mit den Bedienungstasten am Hauptgerät ausgeführt werden.

Einlegen der Batterien Einlegen von R06-Batterien in das Fernbedienungsteil

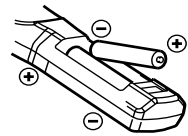
1 Den Batteriefachdeckel abnehmen.

Drücken Sie den Knopf, während Sie den Batteriedeckel anheben.



2 Einlegen der Batterien

Auf die korrekte Ausrichtung der Plus- und Minuspole achten.



3 Den Batteriefachdeckel wieder anbringen.

Vorsicht Vorsichtsmaßnahmen für den Batteriebetrieb

- Den Projektor ausschließlich mit Batterien des vorgeschriebenen Typs betreiben. Niemals neue zusammen mit alten Batterien einlegen, da Batterien hierdurch platzen und Brände auslösen oder Verletzungen durch auslaufende Batteriesäure verursachen können.
- Beim Einlegen der Batterien auf die korrekte Ausrichtung der Plus- und Minuspole entsprechend den Symbolen im Batteriefach achten. Falsches Einlegen kann zum Auslaufen der Batterien und zu Verletzungen oder zur Verschmutzung der Umgebung durch giftige Batteriesäure führen.

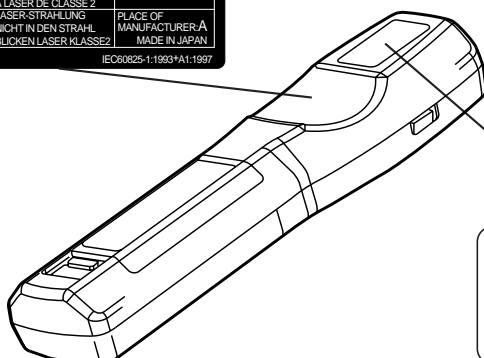
Vorsicht Vorsichtsmaßnahmen zur Verwendung des Fernbedienungsteils

- Das Fernbedienungsteil nicht fallenlassen und vor Stößen schützen.
- Das Fernbedienungsteil nicht naß werden lassen oder auf einer nassen Fläche ablegen, da hierdurch Funktionsstörungen auftreten können.
- Bei längerer Nichtbenutzung die Batterien aus dem Fernbedienungsteil herausnehmen.
- Die Batterien austauschen, wenn die Fernsteuerung zunehmend schwerer wird.
- Das Fernbedienungsteil nicht in der Nähe des Projektor-Kühlgebläses ablegen.
- Das Fernbedienungsteil bei Funktionsstörungen nicht zerlegen, sondern von einer Kundendienstwerkstatt reparieren lassen.

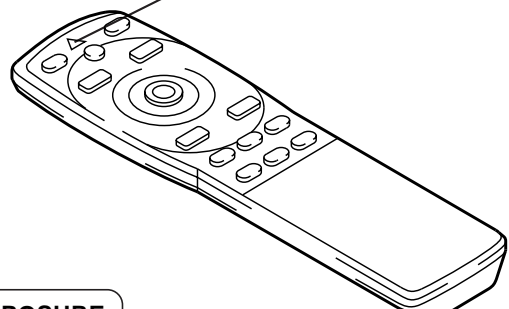


Warnung

Der Laserzeiger an der Fernbedienung dient als Zeigevorrichtung, und richten Sie den Laserstrahl nicht direkt auf andere Personen. Laserstrahlen können das Sehvermögen gefährden.



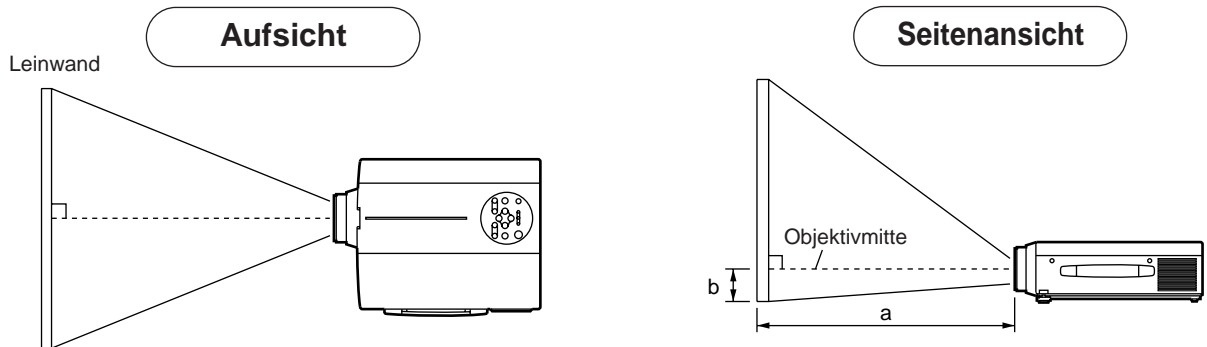
AVOID EXPOSURE-
LASER RADIATION IS
EMITTED FROM THIS
APERTURE



Aufstellung

Typische Aufstellung von LCD-Projektor und Leinwand

Mit Hilfe dieser Abbildung die Größe der Leinwand und deren Entfernung zum Projektor bestimmen.



Leinwandgröße (m)	a (m)		b (cm)
	Minimal	Maximal	
1,0	1,4	1,9	3
1,5	2,2	2,9	4
2,0	2,9	3,8	6
2,5	3,7	4,9	7
3,0	4,5	5,9	9
3,8	5,6	7,2	11
5,0	7,4	9,8	15

- a. Entfernung des LCD-Projektors zur Leinwand
 b. Entfernung von der Objektivmitte bis zum Boden der Leinwand (a,b: +/-10%)

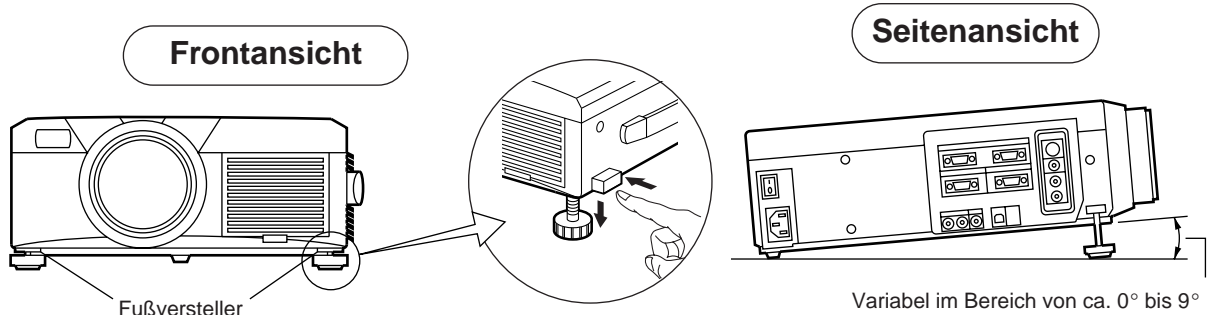
Vorsicht

Der LCD-Projektor sollte normalerweise waagrecht aufgestellt werden (die Füße können noch oben weisen). Ein Aufstellen des Projektors auf der Seite oder mit dem Objektiv nach oben oder unten weisend kann zum Anstieg der Innentemperatur führen und Betriebsstörungen verursachen.

Die in der linken Tabelle angegebenen Projektionsentfernungen gelten für das Vollformat (1,024 × 768 Punkte).

Verwendung der Fußversteller

Den Projektionswinkel mit Hilfe der Fußversteller wie gewünscht einstellen.



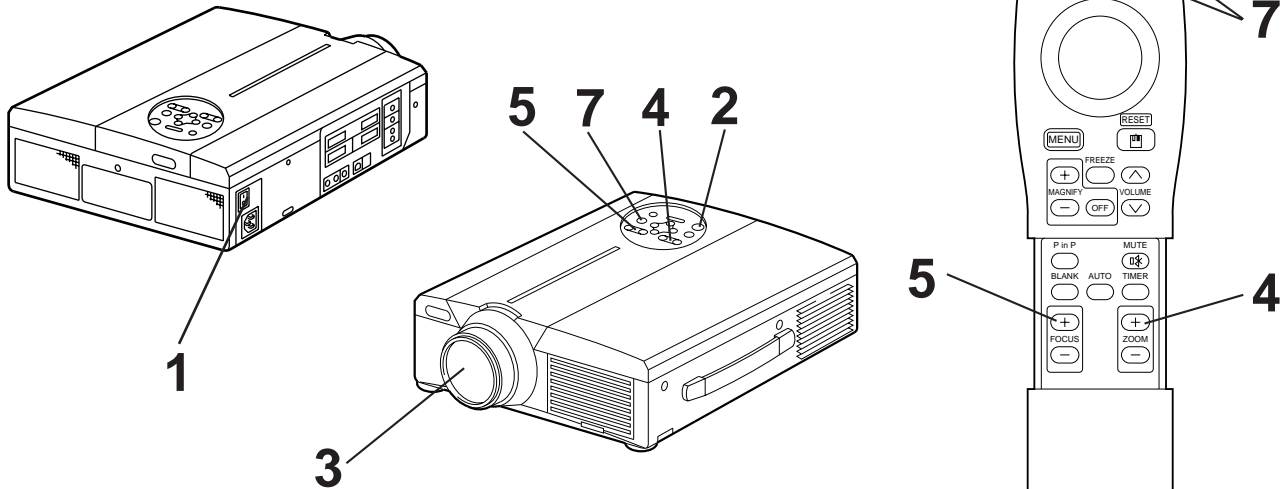
1. Den Projektor anheben und die Fußversteller lösen.
2. Nach dem Einstellen des Projektionswinkels die Fußversteller fest sperren.
3. Die Fußversteller zum Feineinstellen drehen.

Vorsicht

- Den Projektor beim Freigeben der Fußversteller festhalten; andernfalls kann der Projektor umkippen oder auf die Hand fallen und die Finger abklemmen.
- Die Fußversteller nicht gewaltsam drehen. Die Versteller können hierdurch beschädigt werden, oder die Sperre löst sich wieder.
- Die Fußversteller fest sperren. Falls sich die Versteller schwer sperren lassen, den Projektionswinkel leicht ändern und noch einmal versuchen.

Grundlegende Bedienung

Projizieren von Bildern



1 Das Gerät mit dem Hauptnetzschalter am Projektor einschalten [I: ON].

- Die Betriebsanzeige (POWER) leuchtet orange.

2 Die Taste STANDBY / ON drücken.

- Die Betriebsanzeige (POWER) blinkt grün und leuchtet anschließend grün.
- Grünes Blinken zeigt die Aufwärmphase an.

3 Den Objektivdeckel abnehmen.

4 Mit der ZOOM-Taste die Bildgröße einstellen.

5 Mit der FOCUS-Taste die Fokussierung einstellen.

- (1) Durch Drücken der FOCUS-Taste erscheint die rechts dargestellte Anzeige im Display.
- (2) Das Bild durch wiederholtes Drücken der FOCUS-Taste scharfstellen.
- (3) Bei Drücken einer anderen Taste erscheint die Meldung "Focus".

- (Wenn kein Eingangssignal vorhanden ist, so wird "FOKUS" nicht angezeigt, wenn das Videoeingangssignal außerhalb des Synchronisationsbereiches ist.)

+++FOKUS+++

6 Das angeschlossene Gerät einschalten.

Siehe Seite 31 zum Anschluß externer Geräte.

7 Die auf die Leinwand zu projizierende Bildeingangsquelle entweder mit der Taste INPUT am Projektor oder mit der Taste INPUT SELECT (VIDEO / RGB) am Fernbedienungsteil wählen.

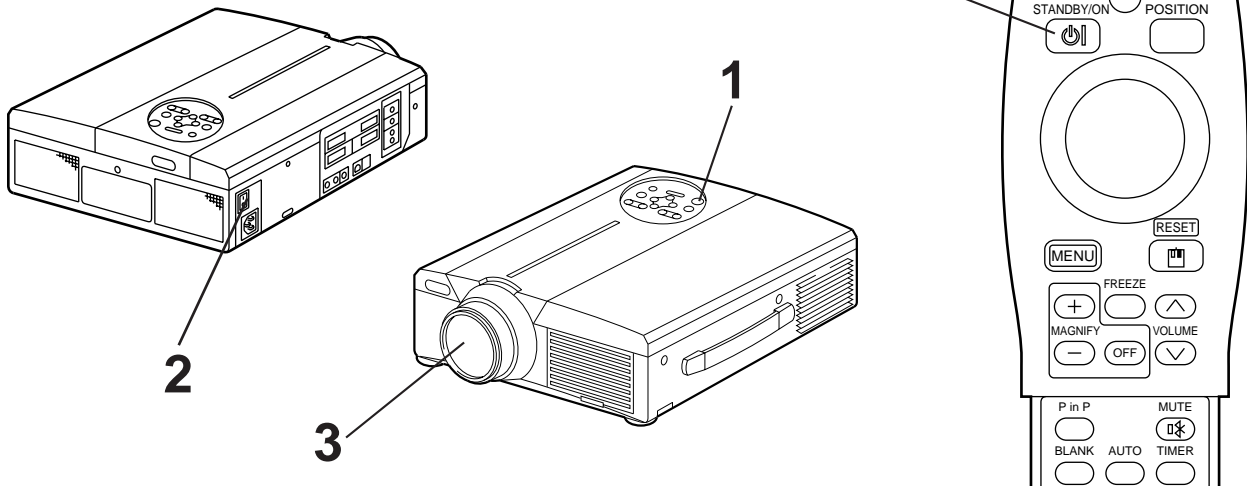
Die gewählte Eingangsquelle wird am unteren rechten Bildrand angezeigt.

Beispiel: Leinwandanzeige

RGB 1

Grundlegende Bedienung (Fortsetzung)

Ausschalten der Netzversorgung



1 Die Taste STANDBY / ON etwa 1 Sekunde lang drücken.

- Die Power - Anzeige blinkt orange, dann schaltet sich die Lampe aus. Etwa eine Sekunde später leuchtet die Anzeigelampe orange.
- Nach dem Ausschalten der Netzversorgung kühlt die Lampe etwa 1 Minute lang ab. Das Gerät kann während dieser Dauer nicht ausgeschaltet werden, auch nicht durch Drücken der Taste STANDBY / ON.
- Wenn die Taste STANDBY / ON zu kurz gedrückt wird, schaltet das Gerät nicht rechtzeitig auf Bereitschaftsmodus um.

2 Das Gerät mit dem Hauptnetzschalter am Projektor ausschalten [○ : OFF].

3 Den Objektivdeckel anbringen.

Vorsicht Das Gebläse läuft nach dem Drücken der Taste STANDBY / ON noch etwa 1 Minute lang weiter. Das Gerät nicht mit dem Hauptnetzschalter am Projektor ausschalten, während die Lampe noch brennt, da die Betriebslebensdauer der Birne hierdurch verkürzt wird.

Plug & Play

Dieser Projektor ist mit VESA DDC 1/2B kompatibel. Plug & Play ist durch Anschluß des Projektors an einen Computer, der mit VESA DC (Display-Datenkanal) kompatibel ist, möglich.

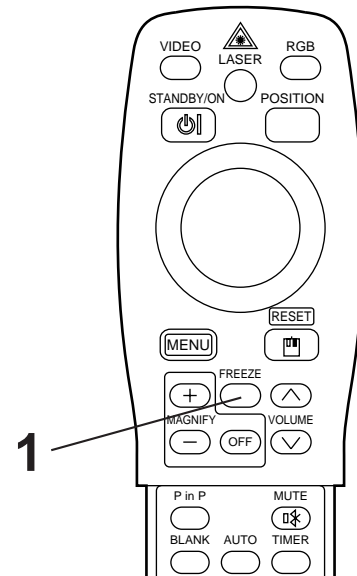
(Plug & Play ist ein mit peripherischen Geräten konfiguriertes System, darunter ein Computer, ein Bildschirmgerät und ein Betriebssystem.)

- Vorsicht**
- Für Plug & Play das mit dem Projektor gelieferte RGB-Kabel verwenden. Bei anderen Kabeln sind die Stifte (12) bis (15) mitunter nicht angeschlossen (gilt nur für RGB1).
 - Dieses Gerät wird als "Plug-and-Play" - Monitor erkannt. Verwenden Sie die Standard - Monitortreiber aus Windows 95/98.
 - Diese Funktion kann, abhängig vom verwendeten Personalcomputer, nicht ausführbar sein.
 - Wenn die DDC - Funktion auf einem Personalcomputer unter Windows 95/98 nicht funktioniert, wählen Sie die Anzeigart in der Systemsteuerung. Es wird empfohlen, Super VGA 1024x768 (60-75Hz) als Anzeigart auszuwählen. Die DDC - Funktion läuft nicht bei Anschluss an einen Macintosh - Computer.

Grundlegende Bedienung (Fortsetzung)

Festhalten-Funktion

Diese Funktion dient zum Festhalten des gezeigten Bildes.
(siehe Seite 10)



1 Die FREEZE-Taste drücken.

- Das gezeigte Bild wird festgehalten.
- Die Markierung [■] erscheint in der rechten unteren Ecke des Bildschirms, wenn die FREEZE-Funktion eingeschaltet ist.

Aufheben der FREEZE-Funktion

1 Die FREEZE-Taste drücken.

- Die FREEZE-Funktion wird aufgehoben.
- Die Markierung [▶] erscheint etwa 3 Sekunden lang, wenn die FREEZE-Funktion aufgehoben wird.

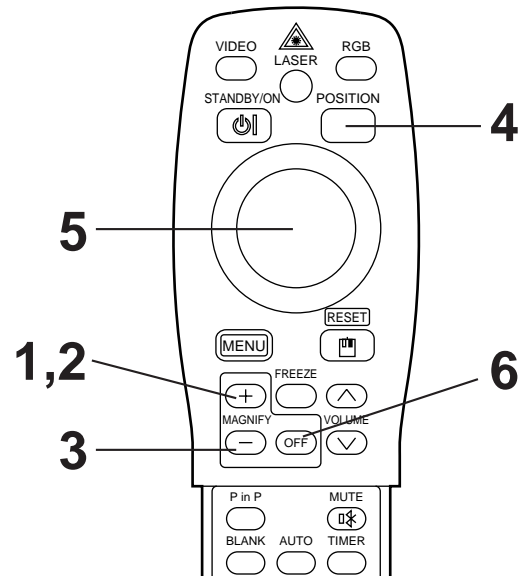
Vorsicht

- Wenn kein Eingangssignal vorhanden ist, so ist die FREEZE-Funktion nicht wirksam, wenn das Videoeingangssignal außerhalb des Synchronisationsbereiches ist.
- Durch Drücken der FREEZE-Taste wird die FREEZE-Funktion abwechselnd ein- und ausgeschaltet.
- Die FREEZE-Funktion wird aufgehoben, wenn die Eingangswahltaste gedrückt wird oder wenn der zur Anzeige verwendete Displaymodus ds PC geändert wird.
- Wenn ein Standbildsignal angelegt wird, während die FREEZE-Funktion eingeschaltet ist, vorsichtig sein, um zu verhindern, daß die FREEZE-Funktion aufgehoben wird.
- Die FREEZE - Funktion wird abgeschaltet, sobald "FOCUS +/-", "TIMER", "P in P", "AUTO", "BLANK", "VOLUME ^ v", "MENU", "MUTE" oder "POSITION" betätigt werden.

Grundlegende Bedienung (Fortsetzung)

Vergrößerungsfunktion

Ein Teil eines Bildes kann vergrößert gezeigt werden.
(siehe Seite 10)



1 Die Taste MAGNIFY + drücken.

- Die Bildmitte wird ca. 2fach vergrößert dargestellt.

Ändern des Vergrößerungsverhältnisses

2 Die Taste MAGNIFY + drücken.

- Wenn diese Taste gedrückt wird, wird das Bild noch größer gezeigt.

3 Die Taste MAGNIFY – drücken.

- Wenn diese Taste gedrückt wird, wird das Bild verkleinert.

Verschieben des Anzeigebereichs

4 Die Taste POSITION drücken.

5 Die Tasten DISK PAD auf, ab, links und rechts drücken.

- Der Vergrößerungsbereich verschiebt sich entsprechend der gedrückten Taste.

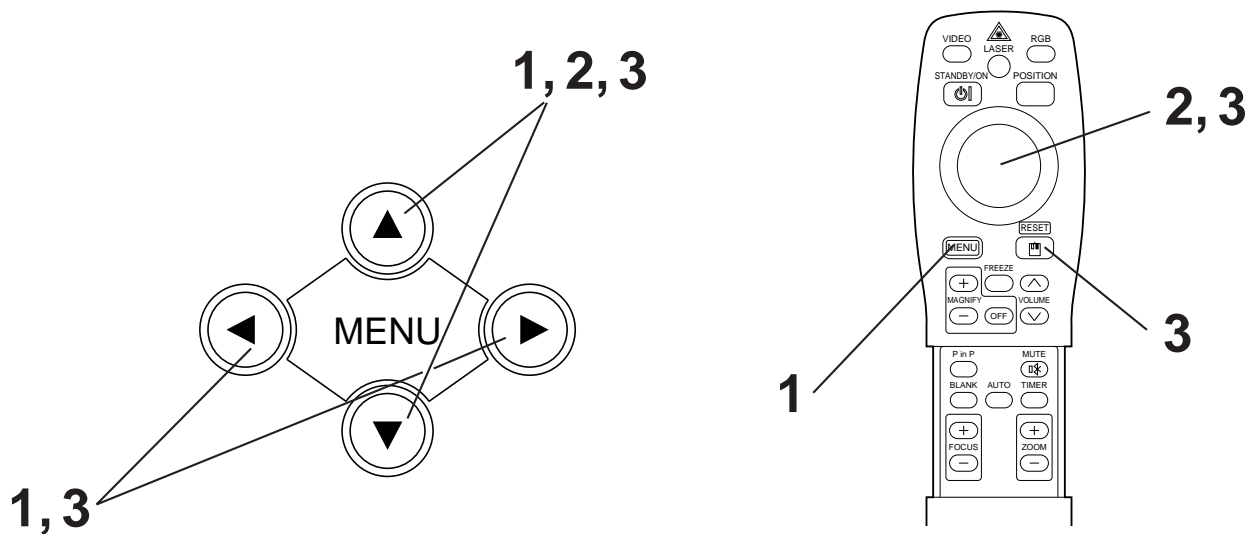
Zurückstellen auf normale Anzeige

6 Die Taste MAGNIFY OFF drücken.

Vorsicht

- Wenn kein Videosignaleingang vorhanden ist, so ist die Vergrößerungsfunktion nicht wirksam, wenn das Videoeingangssignal außerhalb des Synchronisationsbereiches ist.
- Die Vergrößerungsfunktion wird aufgehoben, wenn die Eingangswahltaste gedrückt wird oder wenn der zur Anzeige verwendete Displaymodus ds PC geändert wird.
- Die Vergrößerungsfunktion wird ausgesetzt nach Operationen wie "AUTO", "KEYSTONE".

Einstellungen und Funktionen



1 Die MENU-Tasten (▲▼◀▶) am Projektor oder die Taste MENU am Fernbedienungsteil drücken.

- Das Menübild erscheint.
- Einzelheiten siehe Seite 18 - 21.

2 Zum Wählen des einzustellenden Menügegenstands die MENU-Tasten (▲▼◀▶) am Projektor oder die Taste DISK PAD am Fernbedienungsteil drücken.

- Der gewählte Menügegenstand wird in orange angezeigt.

3 Richten Sie den gewählten Menügegenstand mit den "MENU" (▲▼◀▶) -Tasten des Projektors oder der "DISK-PAD"-Steuerfläche der Fernbedienung aus.

- Der gewählte Menügegenstand wird in orange angezeigt.

Rückstellung auf die Anfangseinstellungen

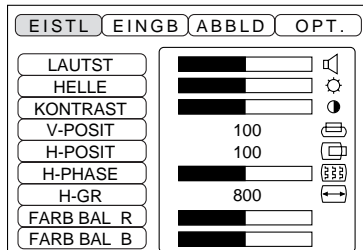
- Die Einstellung wählen, die auf den werksseitig voreingestellten Wert zurückgestellt werden soll.
- Die RESET-Taste drücken.

Einstellungen und Funktionen (Fortsetzung)

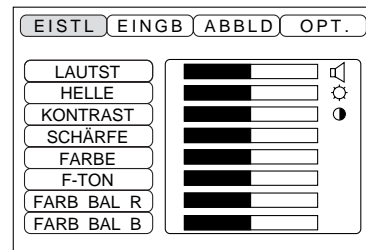
EINRICHTUNG

Bilder und Anzeigepositionen können auf dem SETUP-Menü eingestellt werden.

RGB-Signaleingang



Videosignaleingang



Einstellgegenstand	Beschreibung der Einstellung
LAUTST.	Lautstärkeerhöhung \longleftrightarrow Lautstärke-senkung
HELLE (HELLIGKEIT)	Heller \longleftrightarrow Dunkle
KONTRAST	Höherer Kontrast \longleftrightarrow Niedriger Kontrast
SCHÄRFE	Weicheres Bild \longleftrightarrow Schärfere Bild
FARBE	Weniger \longleftrightarrow Mehr
F-TON	Röter \longleftrightarrow Grüner
V-POSIT (V-POSITION)	Bewegt das Bild nach oben und unten.
H-POSIT (H-POSITION)	Bewegt das Bild nach links und rechts.
H-PHASE	Eliminiert Austastung
H-GR.	Stellt die horizontale Größe des Bilds ein.
FARB BAL. R (FARB BALANCE Rot)	Weniger Rot \longleftrightarrow Mehr Rot
FARB BAL. B (FARB BALANCE Blau)	Weniger Blau \longleftrightarrow Mehr Blau

Verwendung des Einrichten-Menüs (SETUP)

Den Cursor zu dem einzustellenden Punkt bewegen, und die MENU-Taste am Projektor oder die Taste DISK PAD an der Fernbedienung drücken, um die Länge der Balkenanzeige zu regeln.

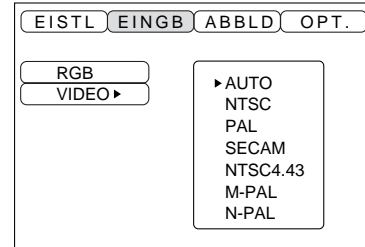
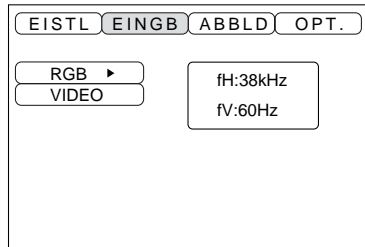
Vorsicht

- Während Anzeige des Anfangsbildes (“Kein Eingang erkannt” oder “Sync liegt außerhalb des Bereichs”) kann das Menü nicht angezeigt werden.
- Die Farbtönung kann bei N-PAL, M-PAL, PAL oder SECAM - Videosignaleingabe nicht geregelt werden.
- Farbtönung, Farbe und Bildschärfe können nicht mit dem RGB-Signaleingang eingestellt werden.
- V-POSIT, H-POSIT, H-PHASE und H-GR. können nicht mit dem Videosignaleingang eingestellt werden.
- Die “FREEZE” (Einfrieren)-Funktion wird nach der Operation “MENU” ausgesetzt.
- Anzeige des Menüs hebt Festhalten-Vorgänge auf.

Einstellungen und Funktionen (Fortsetzung)

INPUT

Das Eingabe-Menü (INPUT) dient zum Wählen der RGB-Signal-Sync-Frequenzen von Monitor und VIDEO-Signal.

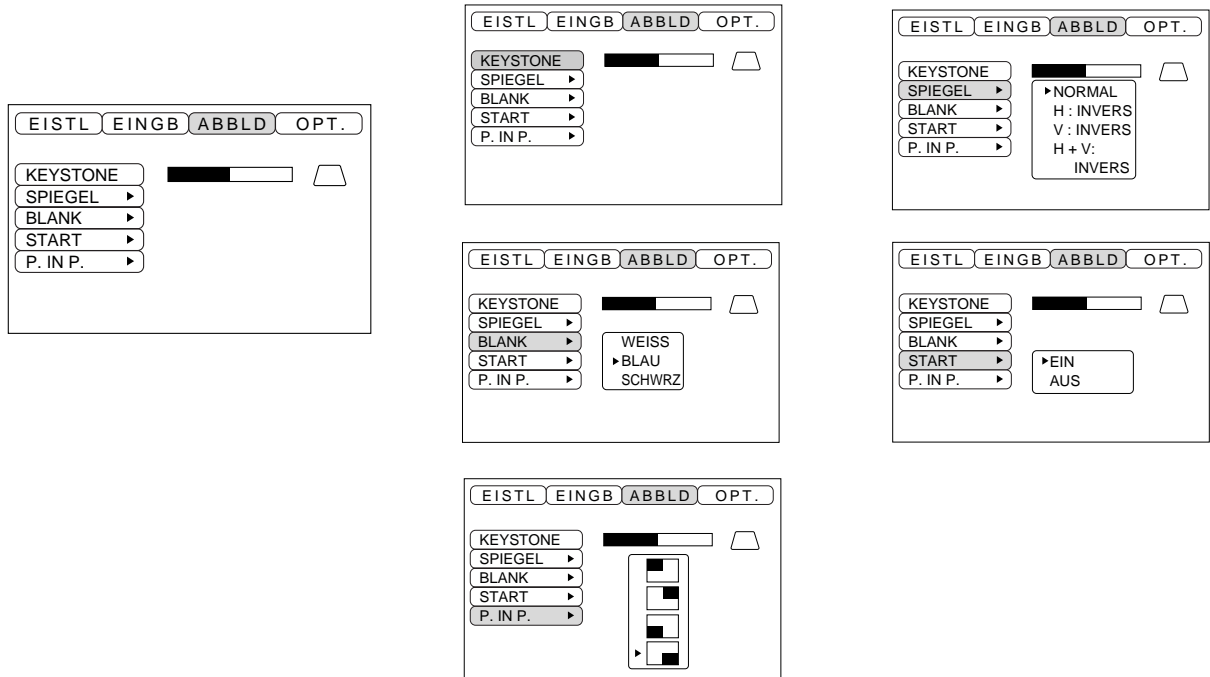


Einstellgegenstand	Beschreibung der Einstellung
RGB	Zeigt die folgenden RGB-Eingänge: fH: horizontale Sync-Frequenz fV: vertikale Sync-Frequenz
VIDEO	Wählt VIDEO-Eingang

Einstellungen und Funktionen (Fortsetzung)

IMAGE

Auf dem IMAGE-Menü kann die Inversion des Projektionsbilds usw. gewählt werden.

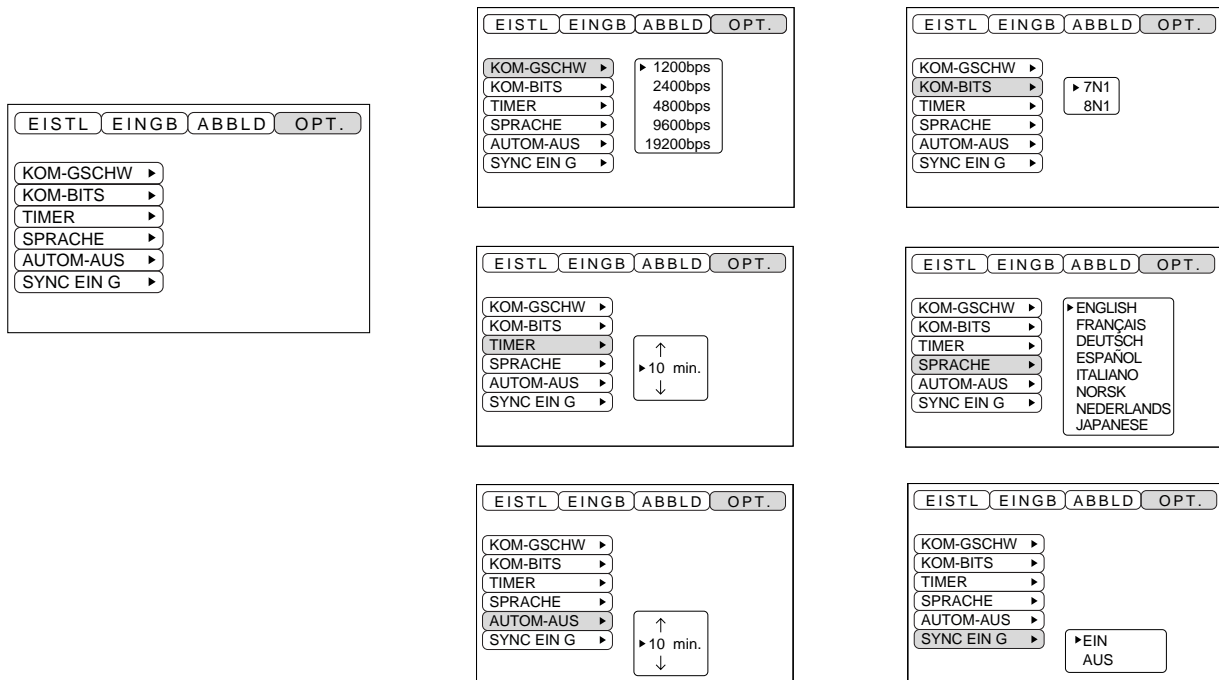


Einstellgegenstand	Adjustment description
TRAPEZ	Verringert Trapezverzerrung unten \longleftrightarrow Verringert Trapezverzerrung oben
SPIEGEL	Stellt die vertikale oder horizontale Inversion des projizierten Bilds ein. H: Nur horizontale Inversion V: Nur vertikale Inversion H&V: Sowohl horizontale als auch vertikale Inversion.
BLANK	Stellt die Farbe ein, die zur Austastung mit BLANK ON verwendet werden soll, oder wenn kein Signal vorhanden ist. Die Austastung wird eingestellt, wenn länger als etwa 5 min kein Signal vorhanden ist.
STARTEN	Öffnet und schließt den Anfangs-Einstellbildschirm, wenn ein Signal außerhalb des Sync-Bereichs in eingeschaltetem Zustand und ohne Signal angelegt wird. Wenn der Anfangs-Einstellbildschirm geschlossen wird, wird Rückzug in der obigen Stufe aktiviert. Nach dem Löschen ändert sich die Hintergrundfarbe in Blau.
BILD-IN-BILD	Wm Sie die kleine Bildposition für Bild-in-Bild.

Einstellungen und Funktionen (Fortsetzung)

OPT

Auf dem OPT-Menü können Datenaustauschfunktionen usw. eingestellt werden.



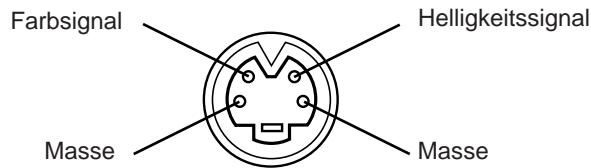
Einstellgegenstand	Beschreibung der Einstellung
KOM-GSCHW	Stellt die Geschwindigkeit für den Datenaustausch ein (5 Stufen).
KOM. BITS	Stellt die Bit-Konfiguration für die Datenübertragung ein. 7N1 ... 7 Datenbits, Keine Parität, 1 Stopbit. 8N1 ... 8 Datenbits, Keine Parität, 1 Stopbit.
TIMER	Stellt die angezeigte Timer-Zeit ein (0 bis 99).
SPRACHE	Wählt die Menübildsprache (Englisch, Französisch, Deutsch, Spanisch, Italienisch, Norwegisch, Holländisch)
AUTOM-AUS	Stellt ein, nach wieviel Minuten die Netzversorgung ausgeschaltet wird (Bereitschaftmodus), wenn kein Signaleingang vorhanden ist. Die Einstellungen sind 1 bis 99, 0 und Keine.
SYNC EIN G	Ein-/Ausschalten des SYNC EIN G Merkmals.

Anschluß an die Video-Eingangsbuchsen

1. Eingangssignale

S-VIDEO-Signal		Helligkeitssignal	1,0 Vs-s, 75 Ohm Abschlußstecker
		Farbsignal	0,286 Vs-s (Burstsignal), 75 Ohm Abschlußstecker
VIDEO-Signal			1,0 Vs-s, 75 Ohm Abschlußstecker
Audio signal	Eingang		200 mVeff, 20 kOhm oder weniger (max. 3,0 Vs-s)
	Ausgang		0 bis 200 mVeff, 1 kOhm

2. Signaleingänge



S-VIDEO-Eingang (vierpolige DIN-Minibuchse)

Vorsicht

Die Prioritätsfolge der Video-Eingangsbuchsen ist wie nachstehend angegeben:

(1) S-VIDEO-Eingangsbuchse (2) RCA-Typ-Eingangsbuchse

Bei Projektion einer Videoprogrammquelle geht der Ton dieser Videoquelle aus der Audiobuchse (RGB/VIDEO) aus.

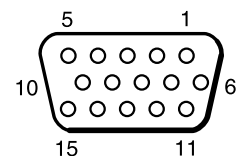
Anschluß an die RGB-Buchse

1. Eingangssignale

Video signal		Analog, 0,7 Vs-s, 75 Ohm Abschlußstecker
Horizontales S-Signal		TTL-Pegel (positive/negative Polarität)
Vertikales S-Signal		TTL-Pegel (positive/negative Polarität)
Zusammengesetztes Sync-Signal		TTL-Pegel
Audio signal	Eingang	200 mVeff, 20 kOhm oder weniger (max. 3,0 Vs-s)
	Ausgang	0 bis 200 mVeff, 1 kOhm

2. Signaleingänge

1	Videoeingang (Rot)	9	Kein Anschluß
2	Videoeingang (Grün)	10	Masse
3	Videoeingang (Blau)	11	Kein Anschluß
4	Kein Anschluß	12	DDC-Eingang (Display-Datenkanal)
5	Kein Anschluß	13	Horizontales S-Signal/Zusammengesetztes Sync-Signal
6	Masse (Rot)	14	Vertikales S-Signal
7	Masse (Grün)	15	DDC-Eingang (Display-Datenkanal)
8	Masse (Blau)		



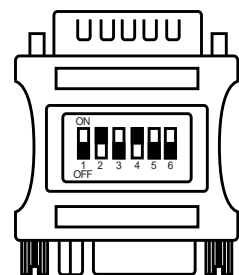
15polige Halbformatbuchse (D-sub)

Anschluß an die RGB-Buchse (Fortsetzung)

3. Beispiel eines Computersignals

Auflösung H × V	fH (kHz)	fV (Hz)	Rating	Signalmodus	Anzeigemodus	Anmerkung 1
640 × 400	24,8	56,4		NEC PC9800	Heranzoomen	
640 × 350	37,9	85,1	VESA	VGA-1	Heranzoomen	
640 × 400	37,9	85,1	VESA	VGA-2	Heranzoomen	
720 × 400	37,9	85,0	VESA	TEXT	Heranzoomen	
640 × 480	31,5	59,9	VESA	VGA-3	Heranzoomen	
640 × 480	35,0	66,7		Mac13"mode	Heranzoomen	SW1 EIN SW2 EIN
640 × 480	37,9	72,8	VESA	VGA-3 (72Hz)	Heranzoomen	
640 × 480	37,5	75,0	VESA	VGA-3 (75Hz)	Heranzoomen	
640 × 480	43,3	85,0	VESA	VGA-3 (85Hz)	Heranzoomen	
800 × 600	35,2	56,3	VESA	SVGA (56Hz)	Heranzoomen	
800 × 600	37,9	60,3	VESA	SVGA (60Hz)	Heranzoomen	
800 × 600	48,1	72,2	VESA	SVGA (72Hz)	Heranzoomen	
800 × 600	46,9	75,0	VESA	SVGA (75Hz)	Heranzoomen	
800 × 600	53,7	85,1	VESA	SVGA (85Hz)	Heranzoomen	
832 × 624	49,7	74,5		Mac16"mode	Heranzoomen	SW2 EIN SW4 EIN
1024 × 768	48,4	60,0	VESA	XGA (60Hz)		
1024 × 768	56,5	70,1	VESA	XGA (70Hz)		
1024 × 768	60,0	75,0	VESA	XGA (75Hz)		
1152 × 864	67,5	75,0	VESA	SXGA(75Hz)	Wegzoomen	
1280 × 960	60,0	60,0	VESA	SXGA(60Hz)	Wegzoomen	
1280 × 1024	64,0	60,0	VESA	SXGA(60Hz)	Wegzoomen	
1280 × 1024	80,0	75,0	VESA	SXGA(75Hz)	Wegzoomen	

Anmerkung 1: Mac-Adapter ist für den Auflösung-Modus erforderlich.
 Der Projektor ist mit 13-Zoll-Modus und 16-Zoll-Modus kompatibel.
 Mac 13-Zoll Modus = Schalter 1 und Schalter 2 sind EIN.
 Mac 16-Zoll Modus = Schalter 2 und Schalter 4 sind EIN.



(Beispiel 16-Zoll-Modell)

Vorsicht

- Bei Computern, die über mehrere Bildanzeige-Betriebsarten verfügen, können einige davon nicht mit diesem Projektor verwendet werden.
- Vor dem Anschließen dieses Projektors an einen Computer unbedingt Buchsentyp, Signalpegel, Zeitsteuerung und Auflösung überprüfen.
- Je nach dem Eingangssignal ist eine Vollformat-Bildprojektion in manchen Fällen nicht möglich.

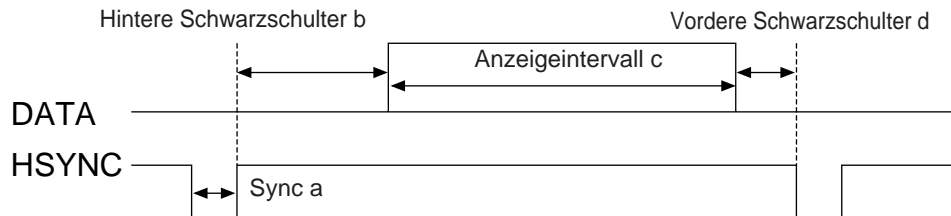
Anschluß an die RGB-Buchse (Fortsetzung)

4. Anfangseinstellungssignale

Die folgenden Signale werden für die Anfangseinstellungen verwendet.

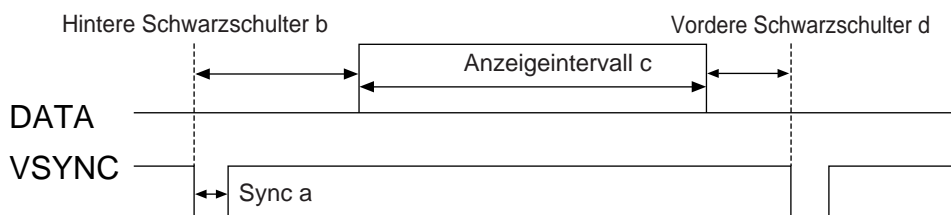
Die folgenden sind die Anfangs-Signaleinstellungen.

Die Signalzeitgabe einiger Computermodelle kann unterschiedlich sein. In diesem Fall siehe Seite 17 und 18 zur Einstellung von V.POSIT und H.POSIT im Menü.



Computer/Signal	Horizontale Signalsteuerung (µs)			
	a	b	c	d
VGA-1(85Hz)	2,0	3,0	20,3	1,0
VGA-2(85Hz)	2,0	3,0	20,3	1,0
PC-9800	3,0	3,8	30,4	3,0
TEXT	2,0	3,0	20,3	1,0
VGA-3	3,8	1,9	25,4	0,6
Mac 13"mode	2,1	3,2	21,2	2,1
VGA-3(72Hz)	1,3	3,8	20,3	1,0
VGA-3(75Hz)	2,0	3,8	20,3	0,5
VGA-3(85Hz)	1,6	2,2	17,8	1,6
SVGA(56Hz)	2,0	3,6	22,2	0,7
SVGA(60Hz)	3,2	2,2	20,0	1,0

Computer/Signal	Horizontale Signalsteuerung (µs)			
	a	b	c	d
SVGA (72Hz)	2,4	1,3	16,0	1,1
SVGA (75Hz)	1,6	3,2	16,2	0,3
SVGA (85Hz)	1,1	2,7	14,2	0,6
Mac 16"mode	1,1	3,9	14,5	0,6
XGA (60Hz)	2,1	2,5	15,8	0,4
XGA (70Hz)	1,8	1,9	13,7	0,3
XGA (75Hz)	1,2	2,2	13,0	0,2
SXGA (1152 X 864, 75Hz)	1,2	2,4	10,7	0,6
SXGA (1280 X 960, 60Hz)	1,0	2,9	11,9	0,9
SXGA (1280 X 1024, 60Hz)	1,0	2,9	11,9	0,9
SXGA (1280 X 1024, 75Hz)	1,1	1,8	9,5	0,1

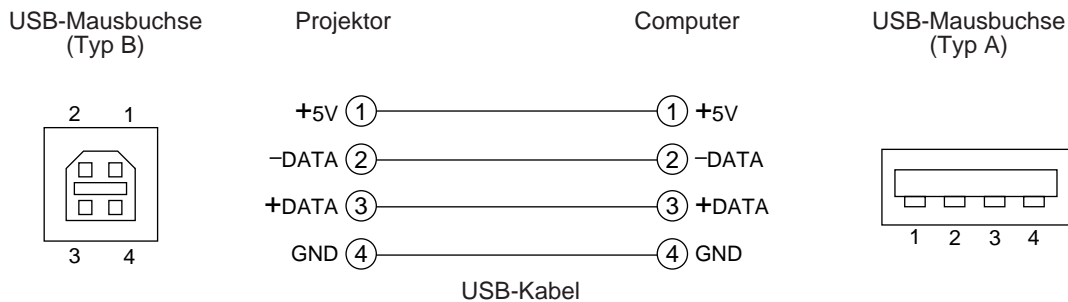


Computer/Signal	Horizontale Signalsteuerung (Zeilen)			
	a	b	c	d
VGA-1 (85Hz)	3	60	350	32
VGA-2 (85Hz)	3	41	400	1
PC-9800	8	25	400	7
TEXT	3	42	480	1
VGA-3	2	33	480	10
Mac 13"mode	3	39	480	3
VGA-3 (72Hz)	3	28	480	9
VGA-3 (75Hz)	3	16	480	1
VGA-3 (85Hz)	3	25	480	1
SVGA (56Hz)	2	22	600	1
SVGA (60Hz)	4	23	600	1

Computer/Signal	Horizontale Signalsteuerung (Zeilen)			
	a	b	c	d
SVGA (72Hz)	6	23	600	37
SVGA (75Hz)	3	21	600	1
SVGA (85Hz)	3	27	600	1
Mac 16"mode	3	39	624	1
XGA (60Hz)	6	29	768	3
XGA (70Hz)	6	29	768	3
XGA (75Hz)	3	28	768	1
SXGA (1152 X 864, 75Hz)	3	32	864	1
SXGA (1280 X 960, 60Hz)	3	36	960	1
SXGA (1280 X 1024, 60Hz)	3	38	1024	1
SXGA (1280 X 1024, 75Hz)	3	38	1024	1

Anschluß der USB-Maus

1. Den Projektor und den Computer mit einem im Fachhandel erhältlichen angemessenen Kabel verbinden.
Trennen Sie das Maus-Kabel vom Projektor.
2. Durch Drücken der INPUT-Taste am Projektor oder der Taste RGB 1/2 am Fernbedienungsteil wählen, an welchen Eingang der Computer angeschlossen werden soll.
3. Die Mausfunktion starten.
4. Zur der Fernsteuerung der Mausfunktionen siehe Seite 10.
5. Die Geschwindigkeit der Mausfunktionen richtet sich danach, wie stark die Steuerfläche (DISK PAD)



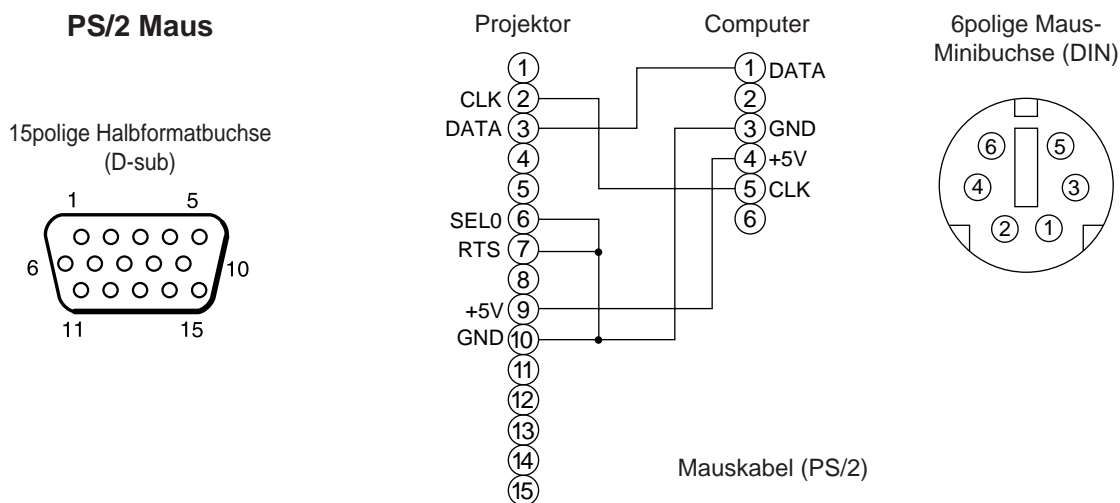
Vorsicht

- Vor dem Anschließen die Bedienungsanleitung des jeweiligen Geräts durchlesen.
- Zum Anschluß das optionale USB-Kabel verwenden.
- Wirksam mit USB nur, wenn die Maus verwendet wird.
- Nicht mit anderen Geräten als einem PC verwenden.
- Beim Gebrauch mit Windows 95 ist es notwendig eine Einstellung vorzunehmen, damit die USB-Schnittstelle mit Version OSR 2.1 oder höher verwendet werden kann. Abhängig von der Art oder Version des Host-Controllers könnte der Betrieb in einigen Fällen nicht möglich sein.
- Bei Notebook-Computern, die über eine eingebaute Zeigevorrichtung (wie z.B. ein Trackball) verfügen, hat die eingebaute Zeigevorrichtung Priorität, auch wenn eine Maus angeschlossen ist, und die Maus kann eventuell nicht gewählt werden.
In diesem Fall die eingebaute Zeigevorrichtung deaktivieren und die BIOS-Einstellung (Systemeinrichtung) entsprechend ändern, so daß eine externe Maus gewählt werden kann.
Nach dem Ändern der BIOS-Einstellung die obigen Schritte 1 bis 3 ausführen.
Hinsichtlich der BIOS-Einstellung bitte in der Betriebsanleitung des Computers nachschlagen.
Darüber hinaus wird die Maus bei einigen Computern über ein Utility-Programm gesteuert. Einzelheiten hierzu enthält die Betriebsanleitung des Computers.

Anschluß an die Steuersignalbuchse

1. Mausfunktionen

- (1) Computer und Projektor mit dem jeweiligen Netzschalter ausschalten und die beiden Geräte mit dem mitgelieferten Kabel, das hierzu geeignet ist, anschließen.
- (2) Den Projektor mit dem Hauptnetzschalter einschalten (die POWER - Anzeigelampe leuchtet grün).
- (3) Durch Drücken der INPUT-Taste am Projektor oder der Taste RGB 1/2 am Fernbedienungsteil wählen, an welchen Eingang der Computer angeschlossen werden soll.
- (4) Den Computer einschalten.
- (5) Die Mausfunktion starten.
Falls die Maus nicht gestartet wurde, den Computer neu booten (über das Programm oder die Tastatur).
- (6) Hinsichtlich der Bedienung des Fernbedienungsteils siehe Seite 10.
- (7) Die Geschwindigkeit der Mausfunktionen richtet sich danach, wie stark die Steuerfläche (DISK PAD) gedrückt wird.



Das mitgelieferte Mauskabel verwenden.

Anschlußkabel für die ADB-Maus (Apple), Bus-Maus (NEC) und Serienmaus sind getrennt erhältlich.

Vorsicht

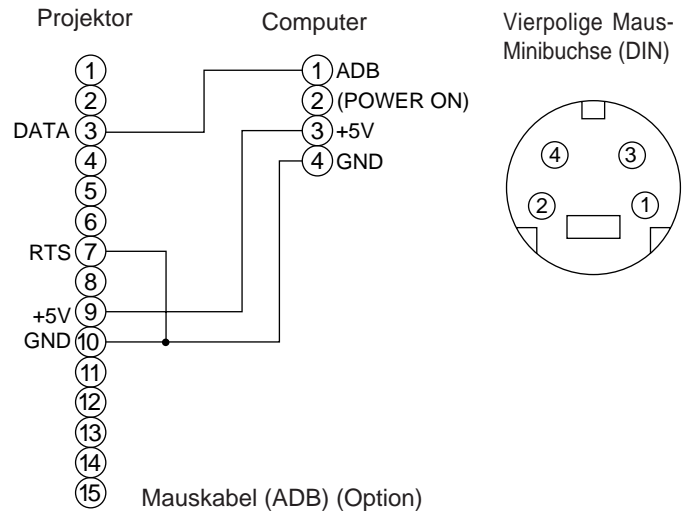
- Vor dem Anschließen von Geräten die Bedienungsanleitung der betreffenden Vorrichtungen durchlesen.
- Den Computer und den Projektor vor dem Anschließen ausschalten.
Ein Anschließen bei eingeschaltetem Computer kann zu Betriebsstörungen führen.
Für den Anschluß der Maus das mitgelieferte Kabel oder ein im Fachhandel erhältliches Kabel, das hierzu geeignet ist, verwenden.
- Bei Notebook-Computern, die über eine eingebaute Zeigevorrichtung (wie z.B. ein Trackball) verfügen, hat die eingebaute Zeigevorrichtung Priorität, auch wenn eine Maus angeschlossen ist, und die Maus kann eventuell nicht gewählt werden.
In diesem Fall die eingebaute Zeigevorrichtung deaktivieren und die BIOS-Einstellung (Systemeinrichtung) entsprechend ändern, so daß eine externe Maus gewählt werden kann.
Nach dem Ändern der BIOS-Einstellung die obigen Schritte 1 bis 3 ausführen.
Hinsichtlich der BIOS-Einstellung bitte in der Betriebsanleitung des Computers nachschlagen.
Darüber hinaus wird die Maus bei einigen Computern über ein Utility-Programm gesteuert.
Einzelheiten hierzu enthält die Betriebsanleitung des Computers.

Anschluß an die Steuersignaltuchse (Fortsetzung)

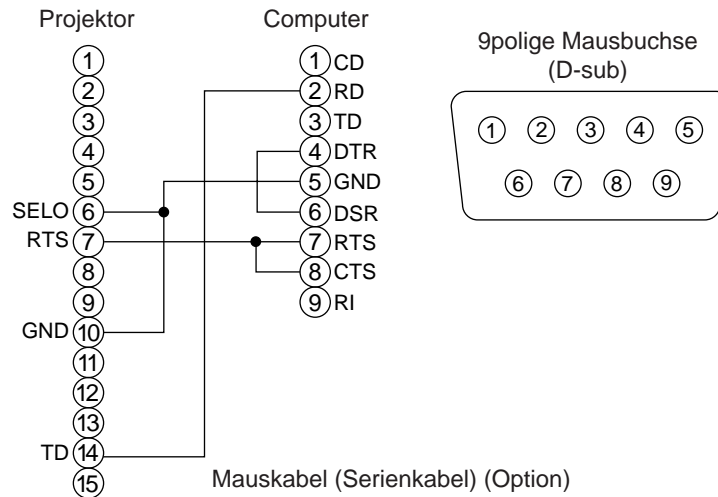
Steuersignaltuchse (CONTROL)

Stift-Nr.	RS-232C	Maus		
		PS/2	ADB	Serial
1				
2		CLK		
3		DATA	DATA	
4				
5				
6	SELO	SELO		SELO
7	RTS	RTS	RTS	RTS
8				
9		+5V	+5V	
10	GND	GND	GND	GND
11				
12				
13	RD			
14	TD			TD
15				

ADB-Maus (Mac)



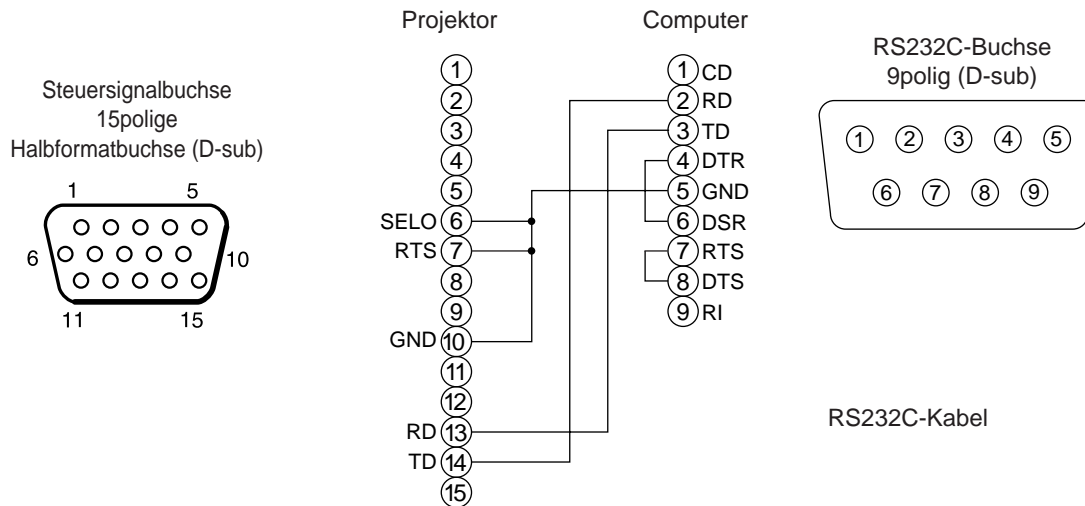
Serienmaus



Anschluß an die Steuersignalebuchse (Fortsetzung)

2. RS232C-Datenaustausch

- (1) Den Projektor und den Computer ausschalten und das RS232C-Kabel anschließen.
- (2) Den Computer einschalten, warten bis das Programm startet und dann den Projektor einschalten.
- (3) Hinsichtlich der Datenübertragungsgeschwindigkeit und Anzahl der Datenbits siehe Seite 21.
- (4) Den RS232C-Datenaustausch starten.



Befehl	Projektor → Computer		Computer → Projektor					
	Rückmeldecode		Abfragecode	Einstellcode		Vorgabeinstellungscode		
	1.	2. Daten	1.	2.	Daten	1.	2.	
MAUS	11h	05h +1	20h	05h	31h	05h +1	40h	05h
COMMUNICATE	11h	06h +1	20h	06h	31h	06h +1	40h	06h
POWER	11h	11h +1	20h	11h	31h	11h +1	---	---
ZOOM	11h	12h +1	---	---	31h	12h +1	---	---
FOCUS	11h	13h +1	---	---	31h	13h +1	---	---
SPIEGEL	11h	14h +1	20h	14h	31h	14h +1	40h	14h
EINGB	11h	21h +1	20h	21h	31h	21h +1	40h	21h
FORMAT	12h	22h +2	20h	22h	32h	22h +2	40h	22h
LAUTST.	11h	23h +1	20h	23h	31h	23h +1	40h	23h
MUTE	11h	24h +1	20h	24h	31h	24h +1	40h	24h
HELLE	13h	31h +3	20h	31h	33h	31h +3	40h	31h
KONTRAST	13h	32h +3	20h	32h	33h	32h +3	40h	32h
FARBE	13h	33h +3	20h	33h	33h	33h +3	40h	33h
F-TON	13h	34h +3	20h	34h	33h	34h +3	40h	34h
SCHÄRFE	13h	35h +3	20h	35h	33h	35h +3	40h	35h
H-PHASE	13h	37h +3	20h	37h	33h	37h +3	40h	37h
H-POSIT	14h	38h +4	---	---	34h	38h +4	40h	38h
H-GR.	14h	36h +4	---	---	34h	36h +4	40h	36h
V-POSIT	14h	3Ah +4	---	---	34h	3Ah +4	40h	3Ah
FARBAL. R	13h	3Bh +3	20h	3Bh	33h	3Bh +3	40h	3Bh
FARBAL. B	13h	3Dh +3	20h	3Dh	33h	3Dh +3	40h	3Dh
AUTO-EINSTELLUNG	11h	3Ch +1	20h	3Ch	31h	3Ch +1	40h	3Ch
BLANK	11h	41h +1	20h	41h	31h	41h +1	40h	41h
VERGRÖßERN	11h	15h +1	20h	15h	31h	15h +1	40h	15h
FESTHALTEN	11h	16h +1	20h	16h	31h	16h +1	40h	16h

Anschluß an die Steuersignalbuchse (Fortsetzung)

Befehlsdatentabelle

Gegenstand	Datencode
MAUS	00h=Mausfunktion deaktivieren, 01 bis 7Fh=Mausfunktion starten
COMMUNICATE	0Xh=8N1, 1Xh=7N1 X0h=1200 bps, X1h=2400 bps, x2h=4800 bps, X3h=9600 bps, X4h=19200 bps
POWER	3Eh=Netzversorgung Aus (Bereitschaftszustand), 3Fh=Netzversorgung Ein
ZOOM	01 bis 3Fh=Zoom +, 41 bis 7Fh=Zoom -
FOCUS	01 bis 3Fh=Focus +, 41 bis 7Fh=Focus -
SPIEGEL	00h=Normal, 01h=H: Invertieren, 02h=V: Invertieren, 03h=H&V: Invertieren
EINGB	11h=VIDEO, 21h=RGB1, 22h=RGB2
FORMAT	00H 00H=Auto, 00h 01h=NTSC 00H 04H=NTSC4.43 00H 02H=PAL, 00H 03H=SECAM 00H 05H=M-PAL
LAUTST.	00H=(niedrige Lautstärke) bis 24Fh (hohe Lautstärke)
MUTE	00h=Stummschaltfunktion Aus, 01h=Stummschaltfunktion Ein
HELLE	00h 00h 00h (dunkel) bis 00h 00h 24Fh (hell)
KONTRAST	00h 00h 00h (schwach) bis 00h 00h 24Fh (stark)
FARBE	00h 00h 20h (blaß) bis 00h 00h 24Fh (kräftig)
F-TON	00h 00h 2Eh (rötlich) bis 00h 00h 24Fh (grünlich)
SCHÄRFE	00h 00h 00h (weich) bis 00h 00h 24Fh (scharf)
H-PHASE	00h 00h 00h bis 00h 00h 24Fh
H-POSIT	00h 00h 00h 01h (Rechts) Bewegung um einen Schritt 00h 00h 00h 7Fh (Links) Bewegung um einen Schritt
H-GR.	00h 00h 00h 01h (Groß) Bewegung um zwei Schritte 00h 00h 00h 7Fh (Klein) Bewegung um zwei Schritte
V-POSIT	00h 00h 00h 01h (Aufwärts) Bewegung um einen Schritt 00h 00h 00h 7Fh (Abwärts) Bewegung um einen Schritt
FARBBAL. R	00h 00h 00h (Hellrot) bis 00h 00h 24h (Dunkelrot)
FARBBAL. B	00h 00h 00h (Hellblau) bis 00h 00h 24h (Dunkelblau)
AUTO-EINSTELLUNG	00h (Autom Einstellung (Wiedergabe))
BLANK	0Xh=Austastung Aus, 1Xh=Austastung Ein X=8 Schwarz, X=9 Blau, X=F Weiß Bit2 0=Rot Aus, 1=Rot Ein, Bit3 0=keine Farbänderung, 1=Farbänderung
VERGRÖßERN	00h=normale Anzeige, 01h=Zoomvergrößerungsanzeige oder Vergrößerungsrate erhöht 7Fh=Zoomrate verringert
FESTHALTEN	00h=normale Anzeige, 01h=Standbildanzeige

Die Befehlscode-Konfiguration besteht aus einem 2-Byte-Befehl und den folgenden Daten:

- Das erste Byte eines Befehls zeigt den Befehlstyp mit 3 Bit an der MSB-Seite und die Datenlänge mit 4 Bit an der LSB-Seite.

Projektor - Computer	Computer - Projektor
'0xH' : Fehlercode	'2xH' : Abfragecode
'1xH' : Rückmeldecode	'3xH' : Einstellcode
'70H' : Datenübertragungsblockfehler	'4xH' : Vorgabeeinstellcode

'x' zeigt die Datenlänge an (Beispiel: x = 2 ist ein 2-Byte-Befehl).
- Das zweite Byte eines Befehls zeigt den Befehlsinhalt an.

Anschluß an die Steuersignalbuchse (Fortsetzung)

Projektorstatusabfrage

- (1) Den Abfragecode '20H' + 'yyH' vom Computer zum Projektor schicken.
- (2) Der Projektor überträgt den Rückmeldecode '1xH' + 'yyH' + Daten an den Computer.

Ändern der Projektoreinstellungen

- (1) Den Einstellcode '3xH' + 'yyH' + Daten vom Computer zum Projektor schicken.
- (2) Der Projektor ändert die Einstellungen entsprechend dem obigen Einstellcode.
- (3) Der Projektor überträgt den Rückmeldecode '1xH' + 'yyH' + Daten an den Computer.

Vorsicht Die Rückmeldedaten in Schritt (3) oben brauchen nicht mit den Einstelldaten in Schritt (1) übereinzustimmen.
Zum Beispiel: Wenn der Projektor die Einstelldaten in Schritt (1) nicht einstellen kann, stellt dieser stattdessen den nächstliegenden Wert ein. Dieser Wert wird dann in Schritt (3) als Rückmeldedaten verwendet. Andernfalls gibt der Projektor den Fehlercode '0xH' + 'yyH' + Daten aus.

Verwendung der Vorgabewerte des Projektors

- (1) Der Computer überträgt den Vorgabewertcode '40H' + 'yyH' an den Projektor.
- (2) Der Projektor ändert den angegebenen Einstellwert in den Vorgabewert um.
- (3) Der Projektor überträgt den Vorgabewert mit dem Rückmeldecode '1xH' + 'yyH' = Daten.

Wenn der Computer einen vom Projektor geschickten Befehl nicht versteht

- (1) Der Computer überträgt den Befehlscode '3xH', '4xH' oder '4xH' + 'yyH' + Daten an den Projektor.
- (2) Wenn ein vom Projektor geschickter Befehl nicht verstanden wird, schickt der Computer den Fehlercode '00H' + 'yyH' an den Projektor zurück.

Wenn vom Projektor geschickte Daten nicht verstanden werden

- (1) Der Computer überträgt den Befehlscode '3xH', '4xH' oder '4xH' + 'yyH' + Daten an den Projektor.
- (2) Wenn ein vom Projektor geschickter Befehl nicht verstanden wird, schickt der Computer den Fehlercode '00H' + 'yyH' + Daten an den Projektor zurück.
Wenn die Datenlänge den vom Datenlängencode angezeigten Wert überschreitet, ignoriert der Projektor den zu langen Datencode. Unterschreitet die Datenlänge jedoch den vom Datenlängencode angezeigten Wert, schickt der Computer einen Fehlercode zurück.

Wenn in Datenübertragungsblockfehler auftritt

Wiederholt 10 Mal pro Sekunde, bis eine Reaktion auf den Fehlercode 70H + 70H vorliegt.

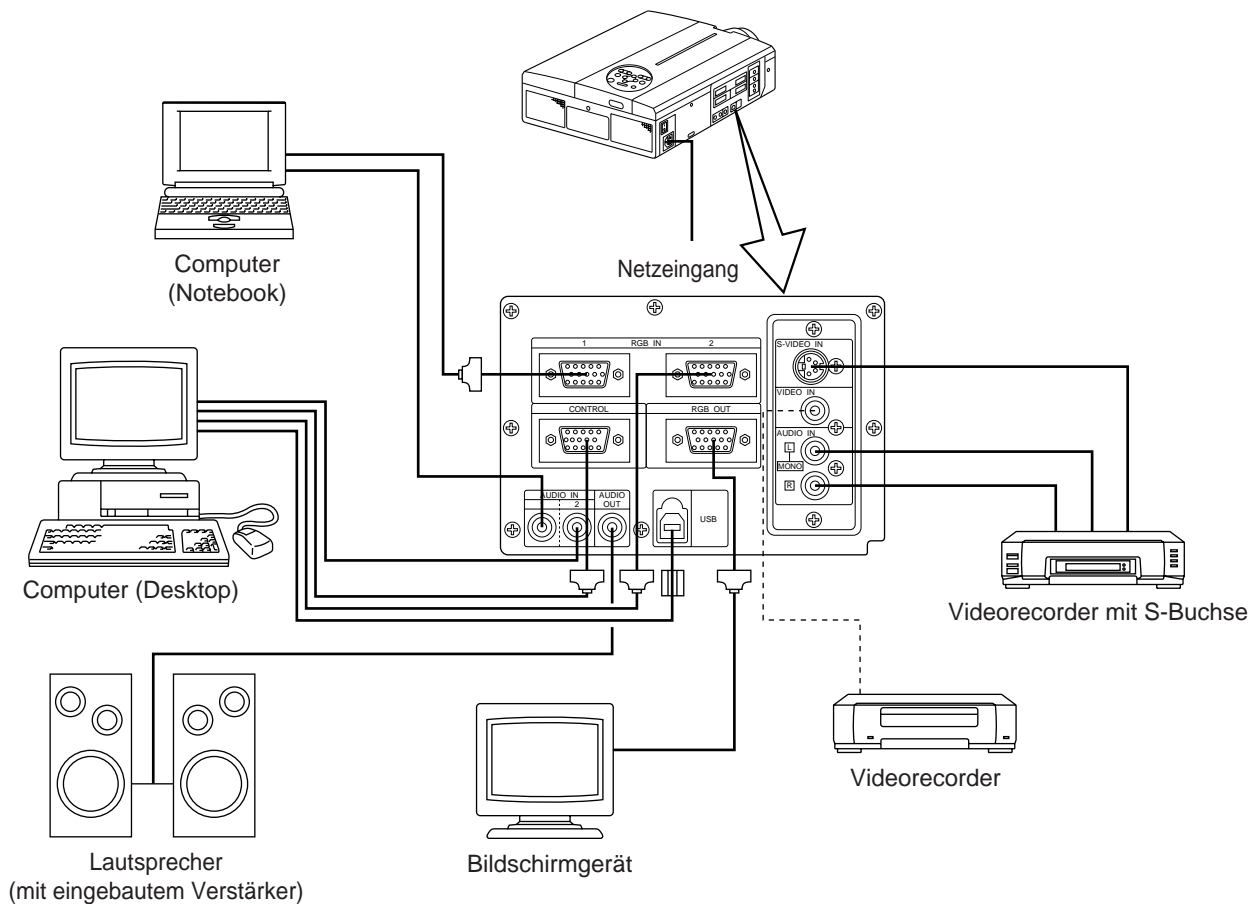
Wenn der Intervall zwischen Bytes in einem Befehl 500 ms oder mehr beträgt

Wenn eine Befehl oder Daten nicht innerhalb von 500 ms nach Abschicken des Befehls '2xH', '3xH' oder '4xH' durch den Computer geschickt wird, erfolgt sofort nach Ablauf der 500 ms eine Rückmeldung durch den Fehlercode '70H' + '70H'. Geht hiernach nicht innerhalb von 1 Sekunde eine Rückmeldung ein, tritt ein Datenübertragungsblockfehler auf.

Vorsicht

- Wenn der Projektor einen undefinierten Befehl oder undefinierbare Daten empfängt, kann dessen korrekter Betrieb nicht mehr garantiert werden.
- Zwischen Rückmeldecode und einem anderen Code sollte ein Intervall von mindestens 40 ms eingestellt werden.

Systemübersicht (Beispiel)

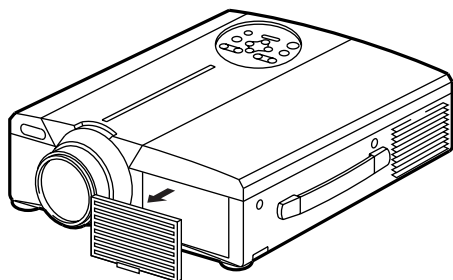


Vorsicht Vor dem Anschließen alle Geräte ausschalten.
Vor dem Anschließen die Bedienungsanleitung des jeweiligen Geräts durchlesen.

Reinigen des Luftfilters

Den Luftfilter etwa alle 100 Betriebsstunden säubern.

- 1** Den Projektor mit dem Hauptnetzschalter (MAIN POWER) ausschalten und den Netzstecker abziehen.
- 2** Den vorderen Luftfilter entfernen.



Reinigen des Luftfilters (Fortsetzung)

3 Säubern des Luftfilters mit einem Staubsauger

4 Wiedereinbauen des Luftfilters

Vorsicht Wenn der Luftfilter mit Staub usw. verstopft ist, schaltet sich der Projektor eventuell automatisch aus, um einen Hitzestau im Gehäuse zu vermeiden. (Die Farbe der Anzeigelampe ändert sich in Rot.)
Den Projektor niemals mit herausgenommenen Luftfilter einschalten. (Bei Gebrauch mit abgenommenem Luftfilter kann Staub auf die LCD - Fläche eindringen und einen negativen Effekt auf die Bildqualität bewirken.)

Lampe

Die als Lichtquelle dienende Lampe hat eine bestimmte Betriebslebensdauer.

Bei Verwendung über längere Zeit hinweg werden die Bilder mit der Zeit allmählich dunkler und die Farben schwächer.

Ist dieser Zustand erreicht, sollte die Birne ausgetauscht werden, da andernfalls Betriebsstörungen auftreten können.

Die folgende Anzeige, oder eine Meldung, die beim Einschalten des Geräts erscheint, zeigt an, wann die Birne ausgetauscht werden sollte.

Hiernach muß die Birne gegen eine neue ausgetauscht werden. Der Austausch der Birne erfolgt nach einer bestimmten Methode, bei der verschiedene Punkte zu beachten sind. Wenden Sie sich hierzu bitte an BOXLIGHT

Vorsicht Auch wenn die Lampe heiß wird kann sich die Stromversorgung zum Projektor abschalten, um einer Überhitzung im Projektor vorzubeugen. (Die Anzeige POWER geht aus.) Schalten Sie den Netzschalter (MAIN POWER) aus, warten Sie 20 Minuten, und schalten Sie dann den Netzschalter (MAIN POWER) wieder ein. Wenn der Projektor auch nach dem Einschalten des Netzschalters (MAIN POWER) noch gestört ist, so wenden Sie sich bitte an BOXLIGHT

Meldungstabelle

Bildschirmanzeigen

Die folgenden Meldungen erscheinen auf dem Bildschirm.

CHANGE THE LAMP "CALL A MAINTENANCE PERSON"	Die Gesamtverwendungszeit der Lampe hat beinahe die Lebensdauer der Lampe erreicht. Die Birne muß hiernach ausgetauscht werden. Die Lampenaustauschzeit ist überschritten worden. Betriebsstunden automatisch aus. *1
"CHANGE THE LAMP" "CALL A MAINTENANCE PERSON" "THE POWER WILL TURN OFF AFTER *hr."	Die Gesamtverwendungszeit der Lampe hat beinahe die Austauschzeit erreicht. Die Lampe schaltet sich nach (*) Betriebsstunden aus. Die Lampenbirne schnell gegen eine neue austauschen. *1 *Zeigt die Anzahl der Betriebsstunden bis zum automatischen Ausschalten der Lampe an.
"CHANGE THE LAMP" blinkt	Die Gesamtverwendungszeit der Lampe hat die Austauschzeit überschritten. Die Anzeige blinkt etwa 10 Minuten lang und schaltet sich dann automatisch ab. Die Lampenbirne gegen eine neue austauschen.
NO INPUT IS DETECTED	Es ist kein Signaleingang vorhanden (siehe Seite 22, 23).
SYNC IS OUT OF RANGE	Die gegenwärtig horizontale oder vertikale Frequenz kann von diesem Projektor nicht verwendet werden (siehe Seite 23, 24).

*1 Die Anzeige verschwindet nach ca. 3 min, erscheint jedoch beim Wiedereinschalten erneut.

Meldungstabelle (Fortsetzung)

Anzeigen

Die Betriebsanzeige (POWER), die Lampenanzeige (LAMP) und die Temperaturanzeige (TEMP) leuchten oder blinken in den folgenden Fällen.

POWER-Anzeige	LAMP-Anzeige	TEMP-Anzeige	Status	Bedeutung
Leuchtet orange	Erlischt	Erlischt	Bereitschaftszustand	_____
Blinkt grün	Erlischt	Erlischt	Aufwärmphase	_____
Leuchtet grün	Erlischt	Erlischt	Betriebszustand *1	_____
Blinkt orange	Erlischt	Erlischt	Kühlt ab	_____
Leuchtet rot	Leuchtet rot	Erlischt	Lampe leuchtet nicht. *2 Das Innere ist zu heiß.	Eine kurze Zeit (etwa 20 Minuten) vor dem erneuten Einschalten warten. Reinigen Sie den Luftfilter, bevor Sie das Gerät einschalten. Wenn die Anzeige immer noch leuchtet, nehmen Sie Kontakt mit Ihrem Fachhändler auf.
Leuchtet rot	Blinkt rot	Erlischt	Keine Lampe eingesetzt, oder fehlende Lampenabdeckung.	Wenden Sie sich an BOXLIGHT.
Leuchtet rot	Erlischt	Blinkt rot	Kühlgebläse arbeitet nicht.	Wenden Sie sich an BOXLIGHT.
Blinkt rot	Blinkt rot	Erlischt	Die Gesamtverwendungszeit der Lampe hat die Austauschzeit überschritten.	Wenden Sie sich an BOXLIGHT.

Wenn die Anzeige LAMP oder TEMP leuchtet oder blinkt, den Projektor mit dem Netzschalter ausschalten und die notwendigen Schritte ausführen. Falls sich das Problem nicht beheben läßt, wenden Sie sich bitte an BOXLIGHT.

*1: Wenn das Kühlgebläse gestoppt ist und das Innere überhitzt wird, schaltet das Gerät automatisch aus, um Abkühlen zu erlauben (die Anzeige schaltet aus). In solchen Fällen den Projektor ausschalten, abkühlen lassen und dann erneut einschalten. Die Lampe leuchtet dann. Wenn sie nicht leuchtet, wenden Sie sich an BOXLIGHT.

*2: In manchen Fällen kann die Lampe zum Schutz ausgeschaltet werden, falls die Lüftungslöcher blockiert werden und die Innentemperatur ansteigt, und die LAMP-Anzeige blinkt rot. In diesem Fall den Hauptschalter MAIN POWER ausschalten, das Gerät abkühlen lassen (etwa 20 Minuten) und erst dann wieder einschalten.

Störungssuche

Bitte überprüfen Sie zuerst die Punkte in der folgenden Fehlersuchtable, bevor Sie das Gerät zur Reparatur einreichen. Falls sich das Problem hierdurch nicht beheben läßt, wenden Sie sich bitte an BOXLIGHT.

Symptom	Mögliche Ursache	Abhilfe	Seite
Das Gerät ist nicht eingeschaltet.	•Der Hauptnetzschalter ist nicht auf ON gestellt. •Das Netzkabel ist nicht angeschlossen.	•Den Hauptnetzschalter auf ON stellen. •Das Netzkabel an eine Netzsteckdose anschließen.	P.13 P.9
Kein Video- oder Audioempfang	•Die Eingangsquelle wurde nicht korrekt gewählt. •Kein Signaleingang.	•Am Projektor oder am Fernbedienungsteil korrekt einstellen. •Korrekt anschließen.	P.8, 10, 13, 19 P.9, 31
Videoempfang vorhanden, aber kein Audioempfang	•Der Projektor ist nicht korrekt angeschlossen. •Die Lautstärke ist auf den niedrigsten Pegel gestellt. •Der Ton ist stummgeschaltet. •Audio wird zu RGB umgeschaltet, wenn P-in-P eingeschaltet ist.	•Korrekt anschließen. •Die Taste VOLUME+ am Fernbedienungsteil drücken oder die Lautstärke auf dem Menü einstellen. •Die Taste MUTE drücken. •Zeigt den Lautstärkebalken an und schaltet den Audioeingang um.	P.9, 31 P.10, 18 P.8, 10 P.10
Audioempfang vorhanden, aber kein Videoempfang	•Der Projektor ist nicht korrekt angeschlossen. •Der Helligkeitsregler ist ganz nach rechts gedreht. •Der Objektivdeckel wurde nicht abgenommen.	•Korrekt anschließen. •Mit der MENU-Taste BRIGHT wählen und die Taste (▶) drücken. •Den Objektivdeckel abnehmen.	P.9, 31 P.17 P.13
Die Farben sind blaß und schlecht abgestimmt.	Die Farbsättigung und -abstimmung sind nicht korrekt eingestellt.	Am Videogerät einstellen.	P.18
Das Bild ist dunkel.	•Helligkeit und Kontrast sind nicht korrekt eingestellt. •The Lampenbirne nähert sich dem Ende ihrer Betriebslebensdauer.	•Am Videogerät einstellen. •Die Lampenbirne austauschen.	P.18 P.32
Das Videobild ist unscharf.	Die Fokussierung oder H. PHASE ist nicht korrekt eingestellt.	Die Fokussierung oder H. PHASE einstellen.	P.13, 18
Die LAMP-Anzeige leuchtet rot.	Lampenausfall.	Etwa 20 min warten und dann das Gerät wieder einschalten.	P.33
	Zu hohe Innentemperatur.	•Vergewissern, daß die Belüftungsöffnungen nicht blockiert sind. •Den Luftfilter säubern. •Die Umgebungstemperatur auf 35°C oder weniger senken.	P.31, 32

Im Bild ist möglicherweise ein weißer Punkt zu sehen. Hierbei handelt es sich um eine normale Erscheinung bei Flüssigkristall-Displays und nicht um eine Störung.

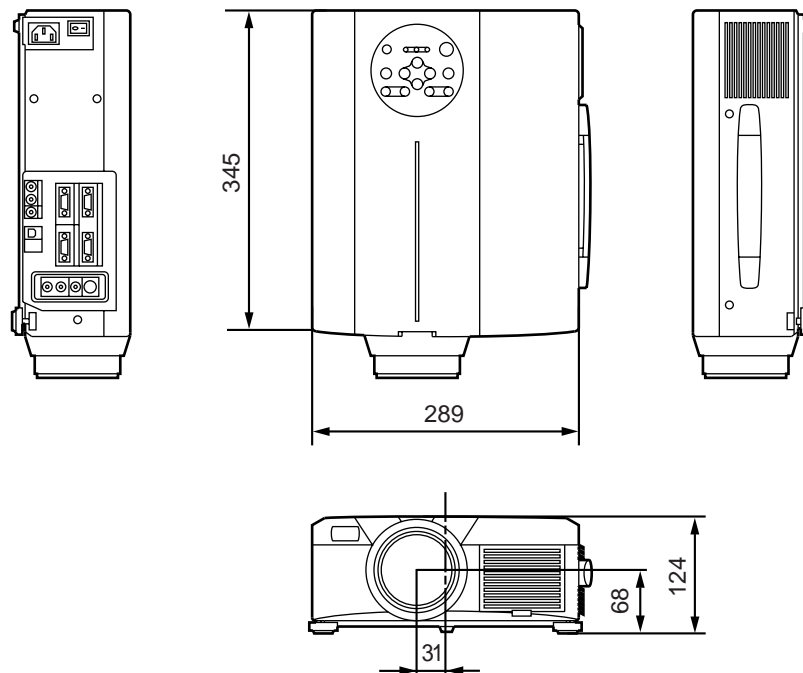
Technische Daten

· Änderungen bei technischen Daten und Design bleiben ohne Vorankündigung vorbehalten.

Produktbezeichnung		Flüssigkristallprojektor
Modell		MP-650i
Anzeigemethode		Drei Flüssigkristalfelder, drei primäre Farbsysteme
Flüssigkristallfeld	Größe	3,3 cm (Typ 1,3)
	Antriebssystem	TFT-Aktiv-Matrix
	Bildpunktezahl	786.432 Bildpunkte (1.024 horizontal × 768 vertikal)
Objektiv		Zoomobjektiv 1:1,7 - 2,3, 49 - 64 mm
Lampe		190w UHB
Lautsprecher		1,2 W + 1,2 W (Stereo)
Stromversorgung		AC100 - 120V, 3,7A / AC220 - 240V, 1,5A.
Leistungsaufnahme		320W
Betriebstemperaturbereich		0°C bis 35°C
Abmessungen		289 (B) × 124 (H) × 345 (T)
Gewicht		5,9 kg
VIDEO-Signaleingangsbuchsen		S VIDEO: Vierpolige DIN-Minibuchse VIDEO: RCA-Buchse AUDIO: RCA-Buchse
RGB-Signaleingang -/Ausgangsbuchsen		RGB-Signale: 15polige Halbformatbuchse (D-sub) Audio: Stereo-Minibuchse
CONTROL-Signalbuchse		15polige Halbformatbuchse (D-sub)
USB - Buchse		B - Typ

Abmessungsdiagramm

Einheit: mm



Garantie und Kundendienst

INGESCHRÄNKTE GARANTIE

BOXLIGHT CORPORATION (im folgenden "BOXLIGHT" genannt) garantiert, daß jedes unter der Bezeichnung Boxlight MP-650i (im folgenden "das Produkt" genannt) verkaufte Gerät in seiner Beschaffenheit und Funktion den schriftlich dokumentierten Spezifikationen von BOXLIGHT entspricht. Diese eingeschränkte Garantie gilt nur für den natürlichen oder juristischen Erstkäufer, der das Produkt zur persönlichen oder geschäftlichen Nutzung und nicht zum Weiterverkauf oder Vertrieb erwirbt. Diese Garantie gilt für zwei (2) Jahre ab Erstkaufdatum. BOXLIGHT gibt keine Garantie dafür, daß das Produkt die spezifischen Anforderungen des jeweiligen natürlichen oder juristischen Erstkäufers im Rahmen von dessen persönlicher oder geschäftlicher Nutzung erfüllt. Für die Lampe gewährt BOXLIGHT eine Garantie von 120 Tagen.

Im Garantiefall gemäß der vorstehend genannten Bedingungen beschränkt sich die Haftung von BOXLIGHT CORPORATION auf die Reparatur bzw. den Ersatz des Produktes oder auf die Erstattung des Kaufpreises für das Produkt; die Entscheidung über die Art der Kompensation liegt ausschließlich im Ermessen von BOXLIGHT. Bei der Ausübung seines Rechts als Käufer gehen die Versandkosten für die Einsendung des Produkts an BOXLIGHT oder eine andere autorisierte Kundendienststelle zu Lasten des Käufers; vorausgesetzt wird ein Begleitschreiben, das den Produktmangel erläutert, und dem außerdem (i) der Kaufnachweis, (ii) der Name des Händlers und (iii) die Modell- und Seriennummer des Produkts beigefügt sind. Die Nummer der Rücksendungsgenehmigung, die von der BOXLIGHT Kundendienstabteilung herausgegeben wird, ist ebenfalls deutlich sichtbar außen am Versandkarton des Produkts anzubringen.

GARANTIEEINSCHRÄNKUNG UND -AUSSCHLUSS

BOXLIGHT CORPORATION übernimmt keine über die oben genannten eingeschränkten Garantiebestimmungen hinausgehende weitere Verpflichtungen, wenn am Produkt Schäden auftreten infolge von mißbräuchlichem oder nichtsachgemäßem Gebrauch, Mißbrauch, Nachlässigkeit, Unfall, unzulässig hoher physikalischer oder elektrischer Beanspruchung, nicht genehmigten Modifikationen, Basteleien, Abänderungen oder Wartung durch andere als BOXLIGHT oder seine Vertragshändler, Ursachen, die durch nicht ordnungsgemäßen Gebrauch oder bei Zweckentfremdung des Produktes entstanden sind.

UNGÜLTIGKEIT NICHT GENANNTER GARANTIEEN

Die oben abgedruckte Garantie ist die für das erworbene Produkt einzig anwendbare. Alle anderen expliziten oder impliziten Garantien, dazu gehören - jedoch nicht ausschließlich - die impliziten Garantien oder die Marktfähigkeit und Eignung für einen bestimmten Zweck, haben keine Gültigkeit. Über die hier genannten Garantien hinausgehende Ansprüche können nicht geltend gemacht werden, und die voranstehend genannte Garantie kann nur durch eine schriftliche Erklärung von BOXLIGHT CORPORATION ausgedehnt, abgeändert oder variiert werden.

BESCHRÄNKUNG DER HAFTUNG

Der Kauf des Produkts unterliegt der Bestimmung, daß die Haftung von BOXLIGHT im Vertrag, im Deliktfall, unter jeglicher Garantie, bei Versäumnis oder anderweitig, nicht über die Rückerstattung des vom Erstkäufer bezahlten Kaufpreises hinausgeht; unter keinen Umständen haftet BOXLIGHT für spezielle, indirekte oder Folgeschäden. Der für das Produkt genannte Preis wird von BOXLIGHT zur Haftungsbeschränkung herangezogen. Kein Anspruch jeglicher Art, der aus dem Kaufvertrag für das Produkt hervorgeht, kann länger als 1 Jahr nach seinem Auftreten vom Käufer geltend gemacht werden.



Boxlight
19332 Powder Hill Place
Poulsbo, WA 98370-7407 USA
www.boxlight.com
Tel. (USA und Canada): 800-762-5757
Tel. (andere Länder): 350-779-7901

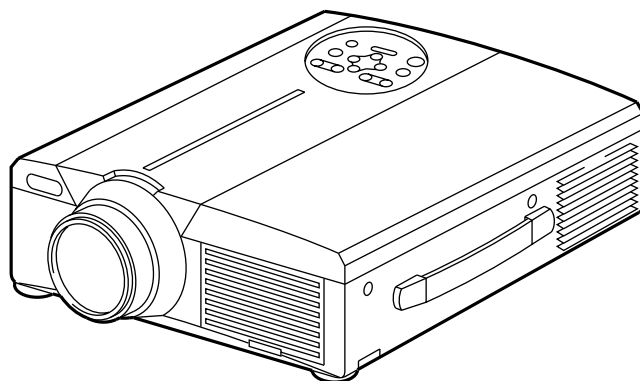
Projecteur à cristaux liquides

Modèle

MP-650i

Manuel d'utilisation

Nous vous remercions d'avoir acheté ce projecteur à LCD. Nous vous recommandons de lire attentivement ce manuel pour bien assimiler le fonctionnement de l'appareil et de le conserver dans un lieu sûr pour pouvoir vous y référer ultérieurement.



Données générales

Ce projecteur à LCD sert à projeter sur écran différents signaux d'ordinateurs ainsi que les signaux vidéo NTSC/PAL/SECAM. Peu encombrant, il permet de projeter des images de grande taille.

Caractéristiques

(1) Clarté exceptionnelle

Un niveau de clarté supérieur grâce à la lampe UMB et au système optique à rendement élevé.

(2) Grossissement fragmentaire

Possibilité de grossir les parties intéressantes d'une image pour les visionner en plus gros plan.

(3) Correction de la distorsion

Possibilité d'avoir des images dénuées de toute distorsion.

(4) Zoom et mise au point motorisés

(5) Fonction P in P (incrustation d'images)

(6) Prise USB

Index

Page

Avant de mettre l'appareil en marche	3
Vérification du contenu de l'emballage	8
Nomenclature et fonctions des pièces	8
Installation	12
Fonctionnement de base	13
Réglages et fonctions	17
Connexion aux prises de signal vidéo	22
Connexion à la prise de signal RGB	22
Connexion au système USB	25
Connexion à la prise de signal de COMMANDE	26
Exemple de configuration	31
Nettoyage du filtre à air	31
Lampe	32
Tableau des messages d'information	32
Dépannage	33
Caractéristiques techniques	34
Garantie et service après-vente	35

Avant de mettre l'appareil en marche

<Avant de mettre l'appareil en marche>

Explication des symboles Différents symboles sont utilisés dans le manuel de fonctionnement et sur le produit lui-même pour garantir une utilisation correcte de l'appareil, protéger l'utilisateur et le public contre les dangers éventuels ou contre les dommages matériels. Lisez attentivement la description qui en est donnée ci-après afin d'en assimiler la signification et le contenu.



ATTENTION

Risques de blessure corporelle grave ou mortelle en cas de mauvaise manipulation consécutive à un manquement aux recommandations indiqués sous ce symbole.



PRECAUTIONS

Risques de blessure corporelle ou de dommage matériel en cas de mauvaise manipulation consécutive à un manquement aux recommandations indiquées sous ce symbole.

Symboles types



Ce symbole indique un avertissement supplémentaire (y compris des précautions). Il est accompagné d'une illustration qui précise la nature du danger (l'illustration de gauche indique un danger d'électrocution).



Ce symbole indique une opération interdite. Les détails sont précisés à l'intérieur de l'illustration ou à côté (celui de gauche indique qu'il est interdit de démonter l'appareil).



Ce symbole indique une opération obligatoire. Les détails sont précisés à l'intérieur de l'illustration ou à côté (celui de gauche indique qu'il faut débrancher le fil électrique de la prise de courant murale).

[Consignes de sécurité]



ATTENTION

■ En cas de problème

- L'appareil risque de prendre feu ou de provoquer des chocs électriques s'il est utilisé alors qu'il émet de la fumée ou une odeur anormale. Si cela se produit coupez immédiatement l'alimentation principale et débranchez la prise murale. Attendez que la fumée ne sorte plus et qu'il n'y ait plus d'odeur avant de contacter votre distributeur. Il est dangereux de vouloir réparer l'appareil soi-même.

- N'utilisez pas le projecteur s'il n'émet pas d'image ou de son ou si le son est déformé, car il pourrait prendre feu ou vous exposer à des risques d'électrocution.



Débranchez la prise murale

Si cela se produit coupez immédiatement l'alimentation principale et débranchez la prise murale avant de faire appel à votre distributeur.

- Si de l'eau s'infiltre à l'intérieur de l'appareil coupez immédiatement l'alimentation principale et débranchez la prise murale avant de faire appel à votre distributeur.

■ Ne posez pas l'appareil sur une surface instable

- Ne posez pas le projecteur sur un socle bancal ou incliné afin qu'il ne risque pas de tomber et de blesser quelqu'un.



■ N'ouvrez pas la boîte

- N'ouvrez jamais la boîte du projecteur. Celui-ci renferme des éléments hautes tension et vous risquez de vous exposer à des dangers d'électrocution. Confiez les vérifications, les réglages et les réparations internes à votre distributeur.



Ne pas démonter



Risque de choc électrique

■ Ne modifiez pas le projecteur

Ne modifiez pas le projecteur afin de ne pas vous exposer à des risques d'incendie ou d'électrocution.



Ne pas démonter

■ N'utilisez pas le projecteur dans la salle de bains

N'utilisez jamais le projecteur dans la salle de bains afin de ne pas vous exposer à des risques d'incendie ou d'électrocution.



Ne pas utiliser près d'un point d'eau

■ Ne mettez pas de corps étrangers dans le projecteur

- N'insérez pas d'objets métalliques dans les sorties de ventilation par exemple et ne laissez rien tomber dans le projecteur afin de ne pas vous exposer à des risques d'incendie ou d'électrocution.



- Si un objet quelconque est entré dans le projecteur, coupez immédiatement l'alimentation principale et débranchez la prise murale avant de contacter votre distributeur.



Débranchez la prise murale

Le projecteur peut prendre feu ou vous risquez d'être exposé à des risques d'électrocution s'il est utilisé ainsi. Faites particulièrement attention s'il y a des enfants dans votre entourage.

■ Ne regardez pas dans l'objectif quand la lampe est allumée



Ne regardez jamais dans l'objectif quand la lampe est allumée. L'intensité de l'éclairage est telle que vous risquez de vous abîmer les yeux. Faites particulièrement attention s'il y a des enfants dans votre entourage.

■ Evitez les chocs et les coups sur le projecteur

Si le projecteur tombe et que la boîte est endommagée coupez immédiatement l'alimentation principale et débranchez la prise murale avant de prendre contact avec votre distributeur. Le projecteur peut de prendre feu ou vous risquez d'être exposé à des risques d'électrocution s'il est utilisé ainsi.



Débranchez la prise murale


■ Ne rangez pas le projecteur dans un emballage contenant du liquide. Ne posez pas de vase, de pots de fleur, de tasses, de produits de maquillage, d'eau ou autres liquides sur le projecteur.



Leur déversement accidentel risque de provoquer un incendie ou de vous exposer à des risques d'électrocution.




ATTENTION

■ **Branchez uniquement sur un courant à la tension indiquée**  **Branchez uniquement sur un courant à la tension indiquée.** Toute autre tension que celle indiquée pour l'appareil risque de provoquer un incendie ou de vous exposer à des risques d'électrocution.

■ **Manipulez le cordon électrique avec précaution**

● **Le cordon électrique ne doit pas être endommagé, coupé, transformé ou tordu.** Ne posez pas d'objets lourds sur le cordon, ne le chauffez pas et ne tirez pas dessus pour ne pas l'endommager ou provoquer des incendies ou vous exposer à des risques d'électrocution.

- de tirer sur le cordon 
- de poser des objets lourds sur le cordon
- d'endommager le cordon
- de l'approcher d'une source de chaleur

● **Le cordon électrique ne doit pas être passé sous le projecteur pour ne pas être endommagé et exposé au risque de prendre feu ou de devenir une source d'électrocution.** Ne recouvrez pas le cordon avec un couvercle par exemple pour ne pas être tenté de poser des objets lourds sur le cordon ainsi masqué.

● Demandez à votre distributeur de remplacer le cordon électrique dès que celui-ci est endommagé (fils mis à nu ou cassés) ; un cordon

endommagé est source d'incendie et d'électrocution.

- Vérifiez que la prise du cordon n'est pas recouverte de poussière. Assurez-vous qu'elle n'est pas desserrée à l'aide d'une lame de couteau.

■ **Ne pas diriger le faisceau laser dans les yeux**

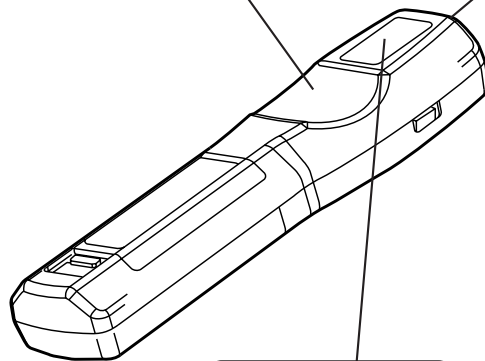
- La télécommande est équipée d'un pointeur laser dont la sortie émet un faisceau lumineux. Ne regardez pas directement le faisceau laser et ne le dirigez pas vers les autres personnes de votre entourage.

Le faisceau laser affecte la vue. Faites particulièrement attention s'il y a des enfants dans votre entourage.

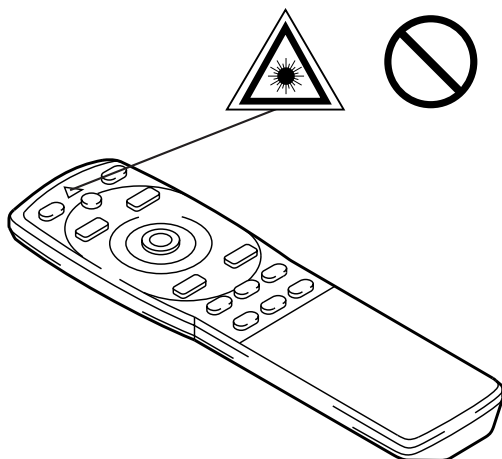
■ **Des hautes températures sont générées quand la lampe est allumée, ne placez donc pas d'objets devant l'objectif.** 



Sortie du faisceau laser



**AVOID EXPOSURE-
LASER RADIATION IS
EMITTED FROM THIS
APERTURE**





PRECAUTIONS

■ Ne vous asseyez pas sur le projecteur ou ne posez pas d'objets lourds dessus

● Ne vous asseyez pas sur le projecteur

Le projecteur risque de se renverser et d'être endommagé. Risque de blessure corporelle grave. Faites particulièrement attention s'il y a des enfants dans votre entourage.



● Ne posez pas d'objets lourds sur le projecteur

Le projecteur risque d'être déséquilibré ou de tomber sous le poids des objets. Risque de blessure corporelle grave.

■ Ne bouchez pas les sorties de ventilation

Ne bouchez pas les sorties de ventilation du projecteur.

Si les sorties sont bouchées le projecteur chauffe et risque de prendre feu. Ne posez pas le projecteur sur le côté pendant une projection et ne le calez pas dans un endroit exigü et mal aéré. Ne mettez pas le projecteur sur un tapis, sur un lit et ne le recouvrez pas avec une nappe ou un tissu. Lorsque vous l'installez, prévoyez au moins 30 cm entre le mur et les sorties de ventilation.



■ Entretien et maintenance

Par mesure de sécurité, débranchez la prise électrique murale avant d'entamer une intervention d'entretien ou de maintenance sur le projecteur.



Débranchez la prise électrique murale

■ Utilisation des piles

● Utilisez exclusivement les piles recommandées.

Ne mélangez pas des piles usagées avec des piles neuves, pour ne pas provoquer des fissures ou des fuites sur les piles et entraîner un incendie ou des blessures corporelles.



● Lorsque vous mettez les piles vérifiez que les pôles plus et moins sont correctement alignés.

Mal mises, les piles risquent de se fissurer ou de fuir et de provoquer des blessures corporelles ou de contaminer l'environnement.



■ Nettoyez l'intérieur du projecteur tous les deux ans

Demandez à votre distributeur de nettoyer l'intérieur du projecteur à peu près une fois tous les deux ans. S'il n'est pas nettoyé pendant longtemps, la poussière s'accumule à l'intérieur du projecteur et risque de provoquer un incendie ou un mauvais fonctionnement.

Le nettoyage sera particulièrement utile avant une saison très humide (la saison des pluies par exemple). Demandez à votre distributeur de vous indiquer comment procéder.



■ Evitez d'installer le projecteur dans des endroits humides ou poussiéreux

● N'installez pas le projecteur dans un endroit humide ou poussiéreux, afin de ne pas provoquer un incendie ou de vous exposer à des risques d'électrocution.

● Evitez d'installer le projecteur près de la cuisine, d'un humidificateur d'air ou dans des lieux exposés aux fumées grasses ou à l'humidité, afin de ne pas provoquer un incendie ou vous exposer à des risques d'électrocution.



■ Faites usage du frein des roulettes

Quand vous installez le projecteur sur un socle à roulettes, bloquez le frein des roulettes afin de ne pas être blessé si le socle bouge ou se renverse.



■ Ne manipulez pas le cordon électrique brutalement

● Eloignez le cordon électrique des chauffages pour ne pas faire fondre la gaine du fil et provoquer un incendie ou vous exposer à des risques d'électrocution.

● Ne touchez pas la prise du cordon avec les mains pour ne pas risquer de vous électrocuter.



● Ne tirez pas sur le cordon lorsque vous débranchez la prise pour ne pas endommager celui-ci et provoquer des dangers



PRECAUTIONS

d'électrocution. Toujours débrancher le fil en tirant sur la prise et non sur le fil.

■ Si vous n'utilisez pas le projecteur pendant une longue période

Par mesure de sécurité il est recommandé de débrancher la prise murale dès que vous n'utilisez pas le projecteur pendant une longue période. Posez également un capuchon sur les objectifs afin de ne pas risquer de rayer la surface du verre.



Débranchez la prise électrique murale

■ Déplacement du projecteur

- Avant de déplacer le projecteur, n'oubliez pas de remettre le capuchon sur l'objectif, de débrancher la prise murale ainsi que toutes les connexions externes, pour ne pas endommager le cordon électrique et provoquer un incendie ou vous exposer à des risques d'électrocution.



Débranchez la prise électrique murale

Évitez de cogner ou percuter le projecteur afin de ne pas provoquer des dysfonctionnements.

- Si vous emportez le projecteur à l'extérieur, protégez-le de la pluie. Avant de le réutiliser essuyez les gouttes de pluies ou d'humidité sur la surface. Si le projecteur est mouillé il risque de prendre feu ou de vous exposer à des dangers d'électrocution.



[Mises en garde]

■ Évitez les endroits trop chauds

Ne laissez pas le projecteur exposé aux rayons de soleil ou près d'une source de chaleur ou de chauffage. La chaleur a un effet négatif sur la boîte et autres parties de l'appareil.



■ Volume sonore

Réglez le volume du son afin qu'il ne gêne pas votre entourage. Il est recommandé de ne pas trop monter le volume sonore et de fermer les fenêtres afin de protéger le voisinage de la pollution acoustique.

■ Entretien des objectifs

Nettoyez les objectifs avec un chiffon spécial en vente dans le commerce (pour le nettoyage des appareils photo, des lunettes, etc.). Faites attention de ne pas rayer la surface de l'objectif avec des objets durs.



■ Entretien de la boîte

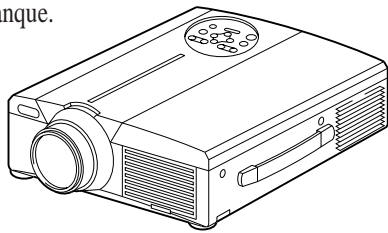
- La benzine, les diluants ou autres produits dissolvants décolorent et écaillent la peinture de la boîte en plastique du projecteur.
- En cas d'utilisation d'un produit chimique lisez attentivement les instructions du produit et suivez-les à la lettre.
- Ne vaporisez aucune substance volatile tel que les insectifuges sur la boîte. Ne laissez pas l'appareil en contact prolongé avec du caoutchouc ou du vinyle car ces matériaux décolorent les peintures et les écaillent.
- Nettoyez la boîte et la partie commandes avec un chiffon doux. Si le projecteur est très sale, passez un chiffon trempé dans de l'eau additionnée d'un produit de nettoyage neutre et bien essoré, puis essuyez avec un chiffon sec. Ne pas verser directement le détergent pur sur le projecteur.

■ Utilisation prolongée

Quand vous utilisez le projecteur pendant une longue durée, arrêtez-le de temps en temps pour vous reposer les yeux et éviter de vous fatiguer la vue.

Vérification du contenu de l'emballage

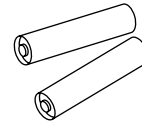
Vérifiez que tous les éléments ci-dessous sont contenus dans la boîte d'emballage. Contactez votre distributeur si vous constatez qu'une pièce manque.



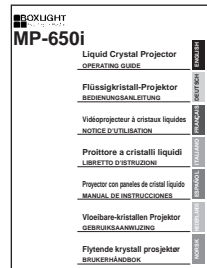
Projecteur



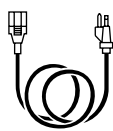
Télécommande



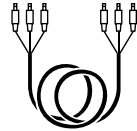
Piles de télécommande



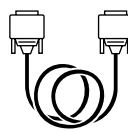
Manuel d'utilisation (document présent)



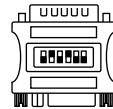
Cordon d'alimentation 110 V US Europe



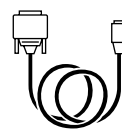
Câble vidéo/audio à 3 conducteurs isolés



Câble RGB (15-15 broches M/M)



Adaptateur Mac avec commutateur DIP



Câble de souris x 3

Nomenclature et fonction des pièces

Unité principale

Touche de ZOOM

Sert à régler la taille de l'image (voir page 13)

Touche MUTE

Pour couper et remettre le son. Appuyez une fois pour couper le son, appuyez une nouvelle fois pour le remettre.

Touche STANDBY / ON

Appuyez sur cette touche pour mettre l'appareil sous tension ou l'éteindre. Quand le projecteur est éteint avec cette touche il se met en attente de fonctionnement. Détails complémentaires pages 13 et 14.

Témoin LAMP

Ce témoin s'allume ou clignote lorsque la lampe est éteinte. Détails complémentaires page 33.

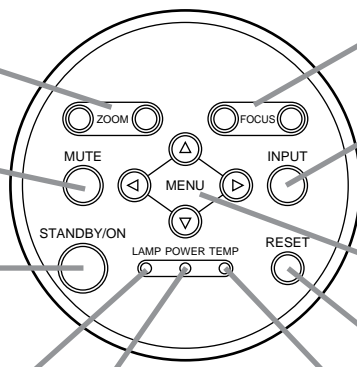
Témoin POWER

S'allume ou clignote lorsque la température interne du projecteur augmente ou que la lampe ne s'allume pas. Détails complémentaires page 33.

Photorécepteur infrarouge de télécommande

Objectif

Capuchon d'objectif



Touche FOCUS

S'utilise pour faire la mise au point de l'image sur l'écran. (Voir page 13)

Touche INPUT

Appuyez sur cette touche pour commuter d'une entrée à l'autre. A chaque pression de la touche la sélection change dans l'ordre suivant.



Touche MENU

Affiche le menu de l'image. Détails complémentaires pages 17 et 21.

Touche RESET

S'utilise pour rétablir les réglages de départ. Détails complémentaires page 10.17.25.26.

Témoin TEMP

Clignote lors d'un dysfonctionnement du ventilateur. Détails complémentaires page 33.

Haut-parleur

Haut-parleur

Ventilateur (côté sortie d'air)

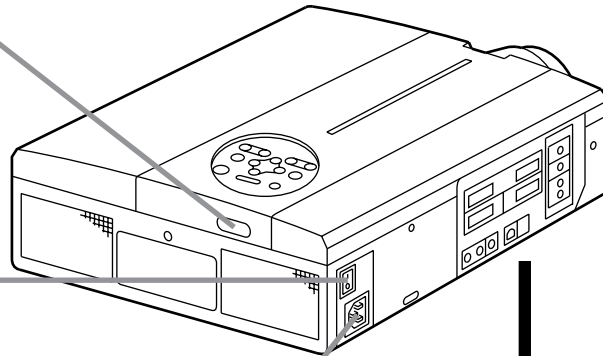
Poignée de transport

Ventilateur (côté arrivée d'air)

- Dirigez la télécommande vers le photorécepteur à une distance d'au maximum 5 m et à un angle de 30 degrés vers la droite ou vers la gauche.

Nomenclature et fonction des pièces (suite)

Photorécepteur infrarouge de télécommande



Interrupteur général

S'utilise pour allumer ou éteindre l'appareil
 ○ : éteint
 | : allumé

Prise entrée AC

Sert à connecter le cordon électrique des accessoires

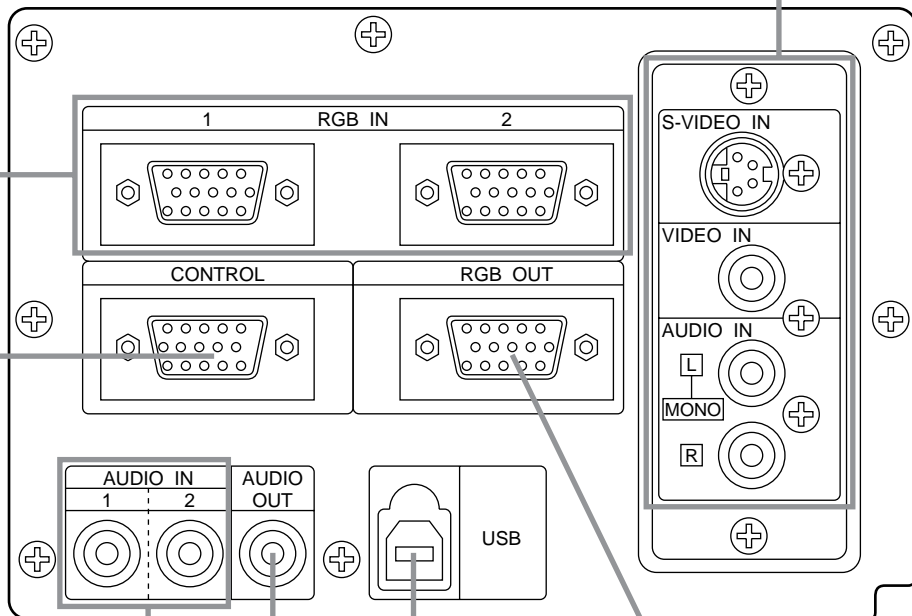
Mesure de précaution **Raccordement à la prise AC IN**
 Branchez bien le cordon d'alimentation accessoire à fond dans la prise AC IN. Un raccordement incomplet risque de provoquer un feu ou un choc électrique.

Prise entrée VIDEO

- Prise entrée S-VIDEO
Connecteur mini DIN 4 broches
- Prise entrée VIDEO
Prise jack RCA
- Prise entrée AUDIO G/D
Prise jack RCA

Prise entrée RGB
 N-sub 15 broches rétractable (1/2)

Prise de COMMANDE
 N-sub 15 broches rétractable



Prise entrée AUDIO (RGB)
 Mini jack stéréo

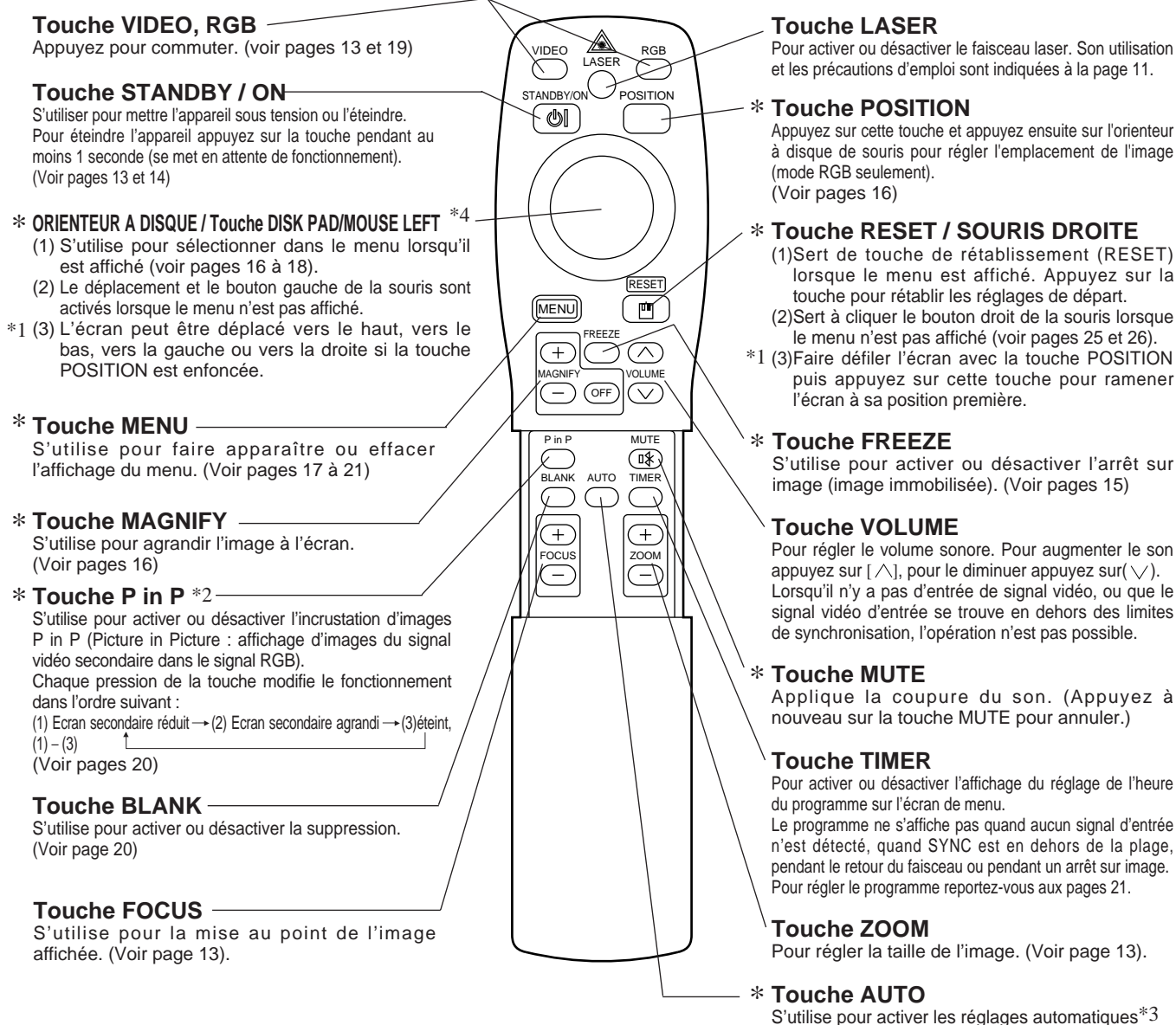
Prise système USB
 Le curseur de la souris se commande avec la télécommande, en la raccordant au port souris externe de l'ordinateur personnel.

Prise sortie RGB
 N-sub 15 broches rétractable

Prise de sortie AUDIO (RGB/VIDEO)
 Mini jack stéréo

Nomenclature et fonction des pièces (suite)

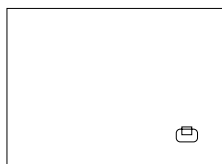
Emetteur à télécommande



* Ces fonctions ne peuvent pas être utilisées quand le message initial sur l'écran "NO INPUT IS DETECTED" ou "SYNC IS OUT OF RANGE" est affiché.

*1 Icône de position

Quand la touche POSITION est pressée, l'icône de déplacement de l'affichage apparaît en bas à droite de l'écran. Pendant que l'icône est affichée, vous pouvez changer la position.



*2 Fonction P in P

Dans le cas de la fonction P in P (incrustation d'images) les signaux proviennent à la fois de la sortie RGB et de la sortie VIDEO. Cette fonction n'est valide que si le signal RGB a été sélectionné. Aucune image n'est affichée s'il n'y a pas de signal ou si le signal RGB se trouve en dehors des limites de synchronisation. En mode P in P, les signaux audio commutent automatiquement sur la vidéo. En mode P in P, il est possible de commuter l'entrée audio en appuyant sur les touches VOL v et VOL ^ de la télécommande, en affichant la barre audio et en déplaçant l'ORIENTEUR À DISQUE vers la gauche ou vers la droite pendant l'affichage.



*3 Réglages automatiques

Réglage automatique de 4 paramètres du projecteur (POSITION V., POSITION H., PHASE H., TAILLE H.). Lorsque vous sélectionnez le mode AUTO, le menu suivant s'affiche (déplacez le curseur vers la droite à partir de la position de fonctionnement manuel).

*4 Méthode de fonctionnement de l'orienteur à disque

- Pour effectuer un déplacement ou une sélection, inclinez l'orienteur à disque dans le sens voulu.
- Appuyez sur l'orienteur à disque pour exécuter la fonction du bouton gauche de la souris.
- Pour pouvoir utiliser une souris, vous devrez raccorder un câble de souris. (Voir pages 26 et 27.)

Nomenclature et fonction des pièces (suite)

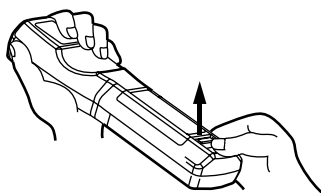
Mesure de précaution

- Les réglages automatiques peuvent prendre jusqu'à 30 secondes.
- Le réglage automatique ne se fait pas correctement avec certains type d'ordinateurs ou de signaux.
- Agrandissez les images au format plein écran lorsque vous affichez des images à faible résolution.
- Il arrive que l'image soit légèrement sombre après un réglage automatique. Cela vient du fait que le niveau de signal se règle alors automatiquement.
- Le réglage automatique n'est pas possible lorsque l'affichage signale " AUCUNE ENTREE DETECTEE " ou " HORS LIMITE DE SYNCHRO " au moment d'un arrêt sur image ou d'un agrandissement.
- Le réglage automatique s'exécute lorsque les opérations suivantes sont effectuées.
 1. Lorsque vous modifiez le type du signal de source d'entrée.
 2. Lorsque vous appuyez sur la touche de réglage automatique (AUTO).
- Le message AUTO IN PROGRESS ("réglage automatique en cours") s'affiche à l'écran pendant le réglage automatique.
- L'écran risque d'être perturbé pendant un réglage automatique, mais ceci est normal.
- Seuls RGB1 et RGB2 peuvent être utilisés comme signal d'entrée.
- Il est également possible d'effectuer le réglage automatique à l'aide des touches de fonction de l'appareil principal. Maintenez la touche RESET enfoncée et appuyez sur le sélecteur d'entrée (INPUT).

Mise en place des piles Insérez les piles AA dans la télécommande.

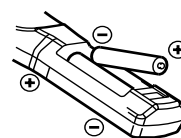
1 Retirez le couvercle du logement

Poussez sur le bouton tout en soulevant le couvercle.



2 Mise en place des piles

Vérifiez que les pôles plus et moins des piles sont dans le bon sens.



3 Refermez le couvercle du logement.

Mesure de précaution

Précautions d'utilisation des piles

- Précautions d'utilisation des piles Utilisez exclusivement les piles recommandées. Ne mélangez pas des piles neuves et les piles usagées pour ne pas provoquer des fissures ou des fuites sur les piles et entraîner un incendie ou des blessures corporelles.
- Lorsque vous mettez les piles vérifiez que les pôles plus et moins sont correctement alignés d'après les repères indiqués sur le projecteur. Mal mises, les piles risquent de se fissurer ou de fuir et de provoquer des blessures corporelles ou de contaminer l'environnement.

Mesure de précaution

Précautions d'utilisation de la télécommande

- Ne faites pas tomber la télécommande, ne la cognez pas.
- Ne mouillez pas la télécommande et ne la posez pas sur des objets humides, ce qui risque d'entraîner des dysfonctionnements.
- Retirez les piles chaque fois que vous vous n'utilisez pas la télécommande pendant une période prolongée.
- Remplacez les piles dès que la télécommande fonctionne mal.
- Ne posez pas la télécommande près du ventilateur de refroidissement du projecteur.
- Si la télécommande ne fonctionne pas correctement, ne la démontez pas ; apportez-la au centre de dépannage.

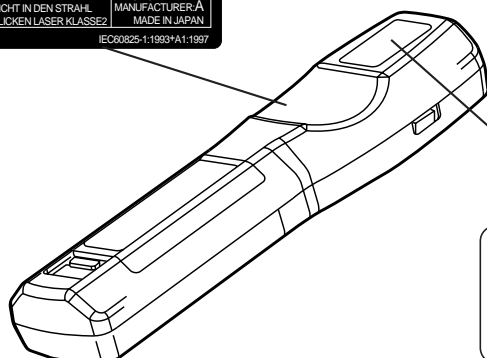
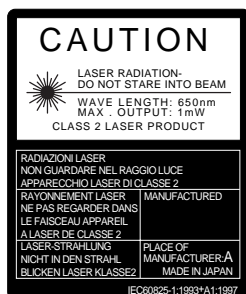


ATTENTION

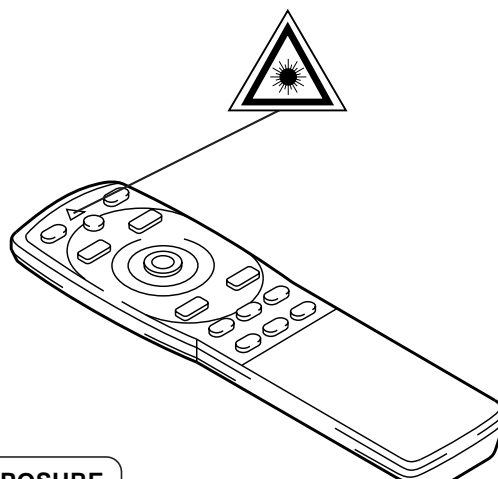
Le pointeur laser de la télécommande s'utilise comme pointeur.

Ne regardez pas le sortie du faisceau laser et ne dirigez pas celui-ci vers une tierce personne.

Le faisceau laser peut entraîner des troubles de la vue.



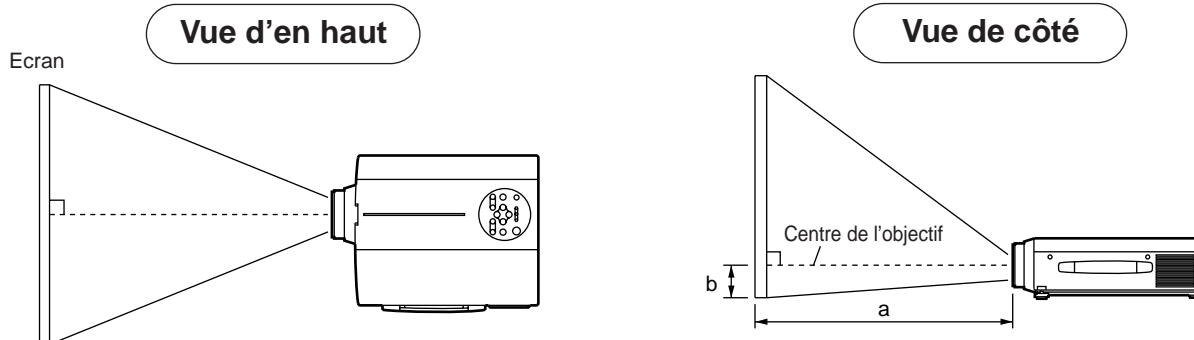
AVOID EXPOSURE-
LASER RADIATION IS
EMITTED FROM THIS
APERTURE



Installation

Installation d'un projecteur ACL et d'un écran

Prenez ce schéma comme référence pour déterminer la taille de l'écran et la distance de projection.



Taille de l'écran (m)	a (m)		b (cm)
	Minimum	Maximum	
1,0	1,4	1,9	3
1,5	2,2	2,9	4
2,0	2,9	3,8	6
2,5	3,7	4,9	7
3,0	4,5	5,9	9
3,8	5,6	7,2	11
5,0	7,4	9,8	15

- a. Distance entre le projecteur ACL et l'écran
 b. Distance entre le centre de l'objectif et le bas de l'écran (a,b : +/-10%).

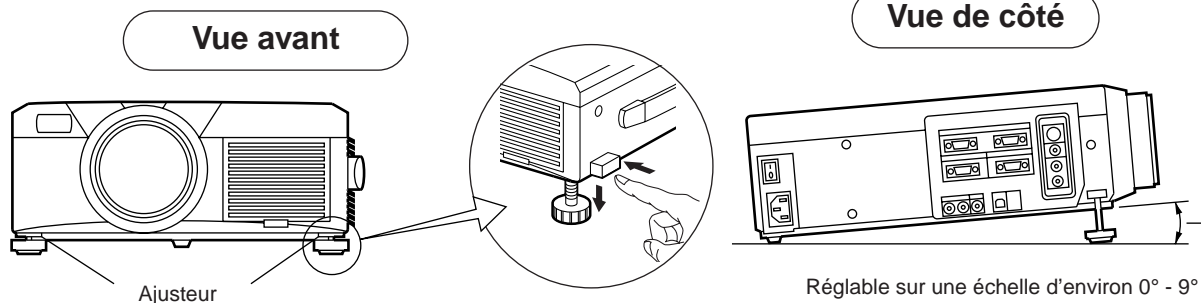
Mesure de précaution

Le projecteur ACL doit normalement être bien horizontal (les pieds dirigés vers le haut). La température monte à l'intérieur du projecteur si celui-ci est placé de côté ou que l'objectif est dirigé vers le haut ou vers le bas, ce qui risque de provoquer des dysfonctionnement de l'appareil.

Les distances de projection indiquées dans le schéma sont pour un plein écran (1,024 x 768 points).

Utilisation des ajusteurs

Réglez l'angle de projection avec les ajusteurs du bas.



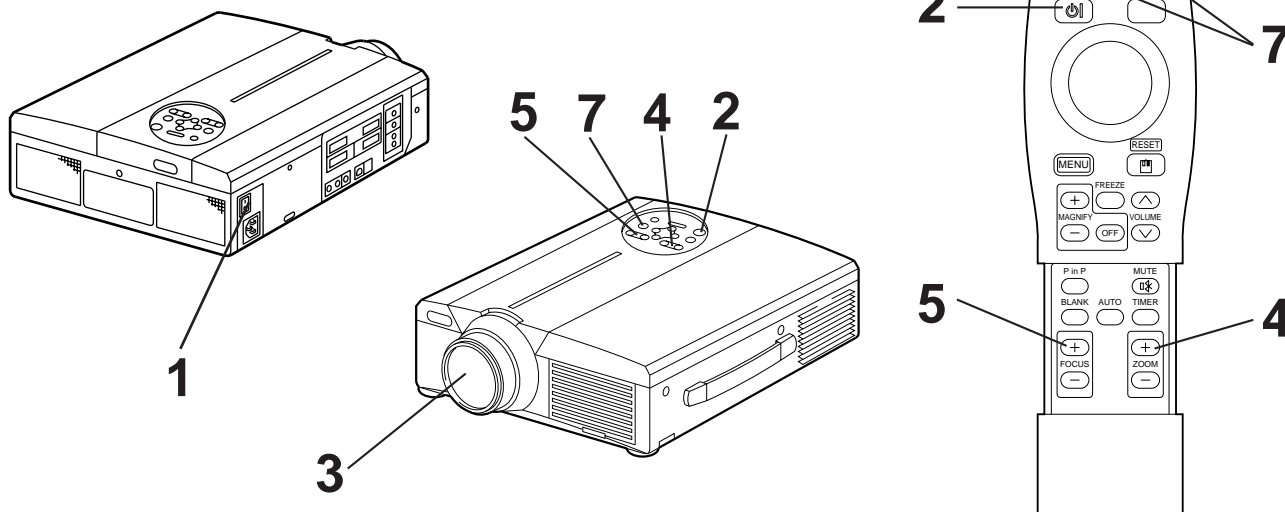
1. Soulevez le projecteur et relâchez le taquet de l'ajusteur.
2. Réglez l'angle de projection et bloquez solidement le taquet de blocage.
3. Faites tourner l'ajusteur pour effectuer un réglage fin.

Mesure de précaution

- Quand vous relâchez les taquets tenez bien le projecteur afin qu'il ne se renverse pas et pour ne pas risquer de vous pincer les doigts ou de vous blesser.
- Ne forcez pas sur les ajusteurs quand vous les faites tourner pour ne pas les endommager ou endommager les taquets de blocage.
- Bloquez fermement les ajusteurs. Si le taquet est difficile à dégager modifiez l'angle de prise.

Fonctionnement de base

Projection



1 Allumez l'interrupteur général du projecteur [I : allumé].

- Le témoin de marche devient orange.

2 Appuyez sur la touche **STANDBY / ON**

- Le témoin de mise en attente de fonctionnement clignote en vert et reste allumé en vert.
- Le témoin clignote en vert tout le temps que l'appareil chauffe.

3 Retirez le capuchon de l'objectif.

4 Réglez la taille de l'écran à partir de la touche de **ZOOM**.

5 Réglez la mise au point à partir de la touche **FOCUS**.

- (1) Lorsque vous appuyez sur la touche FOCUS l'affichage ci-contre apparaît à l'écran.
- (2) Réglez la mise au point à partir de la touche FOCUS jusqu'à ce que l'image soit nette.
- (3) Le message " Mise au point " s'affiche si vous appuyez sur une autre touche.

- (Lorsqu'il n'y a pas d'entrée de signal ou que le signal d'entrée se trouve en dehors des limites de synchronisation, les caractères de mise au point ne sont pas affichés.)

+++Mise au point+++

6 Mettez les périphériques connectés sous tension.

La connexion des équipements périphériques est indiquée à la page 31.

7 Appuyez sur la touche **INPUT** du projecteur ou sur la touche **VIDEO/RGB** de la télécommande pour sélectionner le canal d'entrée des signaux à projeter sur l'écran.

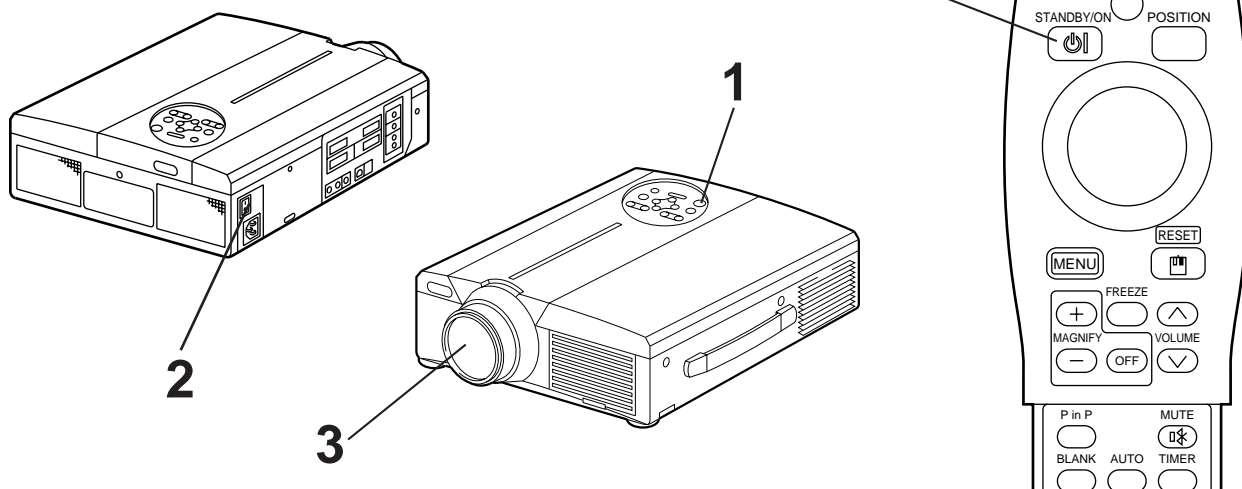
Le canal d'entrée des signaux apparaît sur la partie inférieure droite de l'écran.

Exemple d'affichage sur l'écran

RGB 1

Fonctionnement de base (suite)

Pour éteindre l'appareil



1 Appuyez sur la touche STANDBY/ON pendant environ 1 seconde

- Le témoin POWER clignote en orange, puis il s'éteint. Environ 1 seconde plus tard, le témoin s'allume en orange.
- Il faut environ 1 minute pour que la lampe refroidisse après avoir coupé l'alimentation électrique. Pendant ce délai, il n'est pas possible de remettre l'appareil en marche à partir de la touche STANDBY/ON.
- L'appareil ne se met pas en attente de fonctionnement si la touche STANDBY/ON n'est pas enfoncée suffisamment longtemps.

2 Couper l'alimentation principale du projecteur [○ : éteint].

3 Posez le capuchon sur l'objectif.

Mesure de précaution Après avoir appuyé sur la touche STANDBY/ON le ventilateur continue à tourner pendant environ 1 minute. Ne coupez pas l'alimentation principale tant que la lampe est allumée, car cela altère la durée de vie de la lampe.

Prêt à jouer

Ce projecteur est compatible avec les canaux de visualisation VESA B. Il est prêt à fonctionner dès lors qu'il est connecté à un ordinateur compatible avec les canaux de visualisation VESA.

(Le prêt à jouer (plug and play) répond à une configuration comprenant un système d'exploitation et des périphériques tels que l'ordinateur et l'affichage)

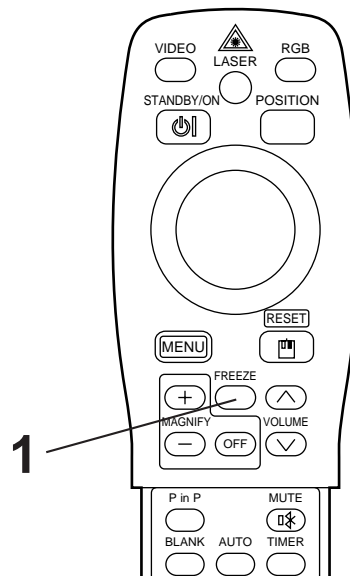
Mesure de précaution

- Pour utiliser la fonction de prêt à jouer branchez le câble RGB fourni avec le projecteur. Avec les autres câbles les broches (12) - (15) ne correspondent pas toujours (valable uniquement pour le signal RGB1).
- L'appareil est reconnu comme moniteur "plug and play". Utilisez les pilotes d'écran standard de Windows95/98.
- Selon l'ordinateur personnel utilisé, cette fonction peut ne pas être possible.
- Si la fonction DDC n'est pas possible sur un ordinateur personnel fonctionnant sous Windows95/98, sélectionnez le type d'écran dans l'écran Priorité. Il est recommandé de sélectionner Super VGA 1024 x 768 (60-75 Hz) comme type d'écran. La fonction DDC n'est pas possible avec un ordinateur Macintosh.

Fonctionnement de base (suite)

Arrêt sur image

Cette fonction sert à immobiliser l'image affichée.
(voir page 10)



1 Appuyez sur la touche FREEZE

- L'image affichée à l'écran s'immobilise.
- Le signe [||] s'affiche en bas et à droite de l'écran lorsque la fonction d'arrêt sur image est activée.

Annulation de l'arrêt sur image

1 Appuyez sur la touche FREEZE.

- La fonction d'arrêt sur image est annulée.
- Lorsque la fonction d'arrêt sur image est désactivée, le signe [▶] s'affiche pendant environ 3 secondes.

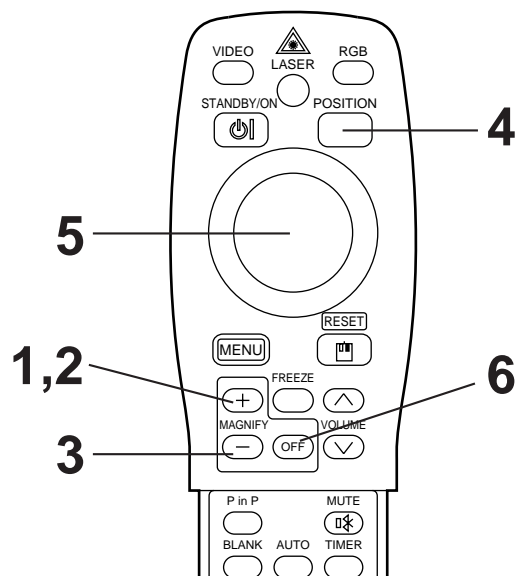
Mesure de précaution

- Lorsqu'il n'y a pas d'entrée de signal ou que le signal d'entrée se trouve en dehors des limites de synchronisation, l'arrêt sur image n'est pas valable.
- La fonction d'arrêt sur image est activée ou désactivée à partir de la touche FREEZE.
- L'arrêt sur image est annulé lorsque la touche de sélection d'entrée est sollicitée ou lorsque le mode d'affichage de l'ordinateur est modifié.
- Faites attention de ne pas annuler l'arrêt sur image pendant la saisie d'un signal d'image immobile.
- La fonction FREEZE s'annule après des opérations comme "FOCUS +, -", "TIMER", "P in P", "AUTO", "BLANK", "VOLUME ∨ ^", "MENU", "MUTE" et "POSITION".

Fonctionnement de base (suite)

Agrandissement

Il est possible d'agrandir une partie de l'image et de l'afficher.
(voir page 10)



1 Appuyez sur la touche MAGNIFY +

- La partie centrale de l'image est agrandie 2x.

Comment modifier le taux d'agrandissement

2 Appuyez sur le touche MAGNIFY +

- L'image affichée sera agrandie.

3 Appuyez sur la touche MAGNIFY -

- L'image affichée sera réduite.

Comment déplacer la zone d'affichage

4 Appuyez sur la touche POSITION.

5 Appuyez sur les touches haut, bas, gauche et droite de l'orienteur à disque de la télécommande.

- La zone agrandie se déplace dans le sens de la touche sollicitée.

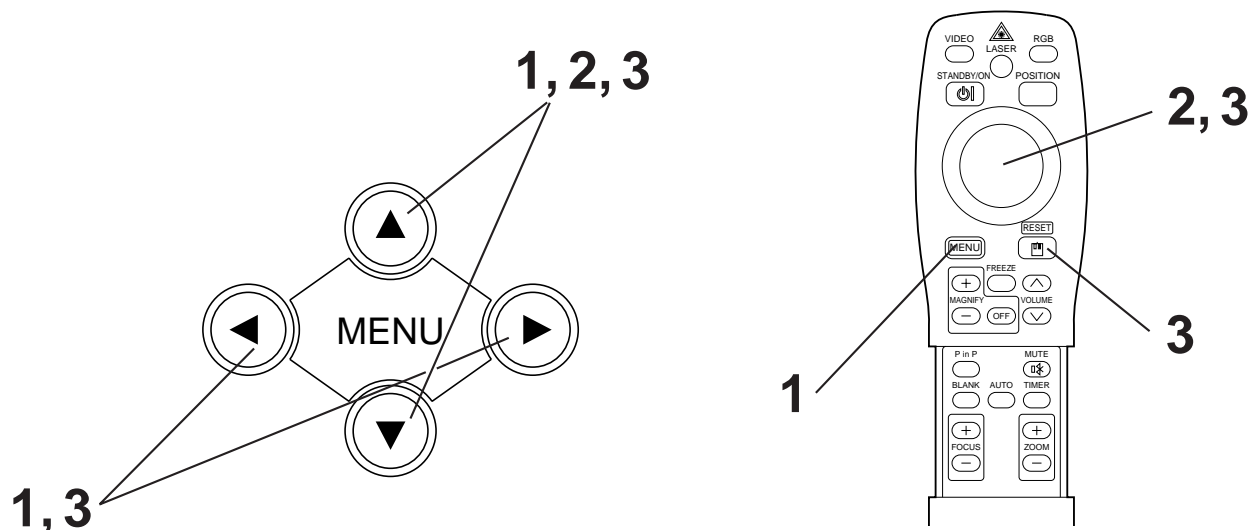
Comment revenir sur l'affichage normal

6 Appuyez sur la touche MAGNIFY OFF.

Mesure de précaution

- Lorsqu'il n'y a pas d'entrée de signal vidéo ou que le signal vidéo d'entrée se trouve en dehors des limites de synchronisation, l'agrandissement n'est pas valable.
- L'agrandissement est annulé lorsque vous appuyez sur la touche de sélection d'entrée ou lorsque le mode d'affichage de l'ordinateur est modifié.
- La fonction d'agrandissement (MAGNIFY) est annulée après l'opération "AUTO", "KEystone".

Réglages et fonctions



1 Appuyez sur les touches MENU (▲▼◀▶) du projecteur ou sur la touche MENU de la télécommande.

- L'écran du menu s'affiche (détails complémentaires pages 18 à 21).

2 Appuyez sur les touches MENU (▲▼◀▶) du projecteur ou sur l'orienteur à disque de la télécommande pour sélectionner le menu des paramètres à régler.

- L'élément de menu choisi est affiché en orange.

3 Ajustez l'élément de menu choisi avec les touches MENU (▲▼◀▶) sur le projecteur ou la touche DISK PAD de la télécommande.

- L'élément de menu choisi est affiché en orange.

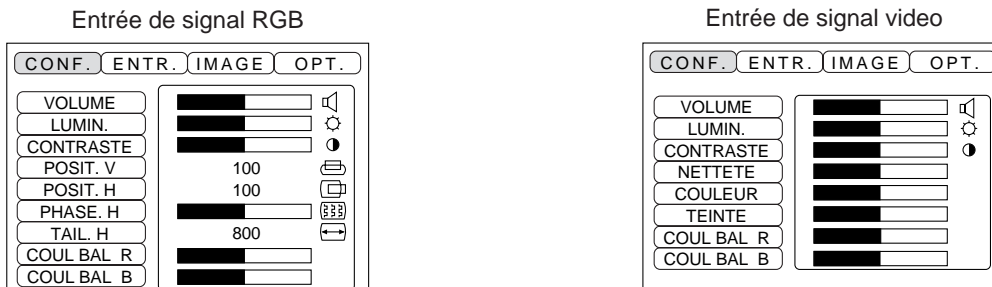
Comment rétablir les réglages d'origine

- Sélectionnez les paramètres à rétablir.
- Appuyez sur la touche RESET.

Réglages et fonctions (suite)

CONFIGURATION

Le menu CONFIGURATION est utilisé pour modifier les réglages des paramètres d'image et de position.



Paramètres	Description du réglage
VOLUME	Fort ↔ Faible
LUMINOSITE (CLARTE)	Sombre ↔ Clair
CONTRASTE	Faible ↔ Accentué
NETTETE	Enveloppée ↔ Franche
COULEUR	Moins de couleur ↔ Plus de couleur
TEINTE	Rouge ↔ Vert
POSITION V	Déplacement de l'image vers le haut ou vers le bas
POSITION H	Déplacement de l'image vers la gauche ou vers la droite
PHASE H	Elimine les scintillements
TAILLE H	Réglage de la taille de l'image dans le plan horizontal
EQUIL. CHROM. R (équilibrage des rouges)	Moins rouge ↔ Plus rouge
EQUIL. CHROM. B (équilibrage des bleus)	Moins bleu ↔ Plus bleu

Utilisation du menu CONFIGURATION

Déplacez le curseur sur le paramètre à régler et modifier la longueur des barres d'affichage à l'aide de la touche MENU du projecteur ou de l'orienteur à disque de la télécommande.

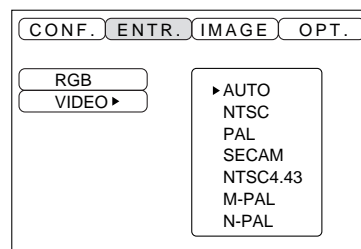
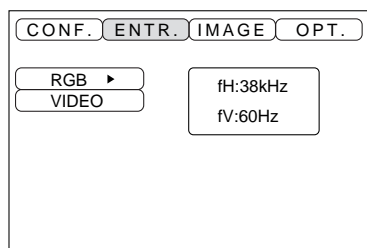
Mesure de précaution

- Il n'est pas possible d'afficher le menu pendant que l'écran initial ("Aucune entrée détectée" ou "Hors limite de Synchronisation") est affiché.
- Il n'est pas possible de régler la teinte avec une entrée de signal N-PAL, M-PAL, PAL ou SECAM.
- Il n'est pas possible de régler la teinte, la couleur et la netteté avec les entrées RGB.
- Il n'est pas possible de régler la POSIT. V, la POSIT. H, la PHASE V. et la TAILLE H. avec une entrée vidéo.
- La fonction d'arrêt sur image (FREEZE) est annulée après l'utilisation du "Menu".
- L'affichage du menu annule l'arrêt sur image (FREEZE).

Réglages et fonctions (suite)

ENTREE

Le menu ENTREE permet de sélectionner la fréquence du signal de synchronisation pour le signal RVB du projecteur et le signal VIDEO.

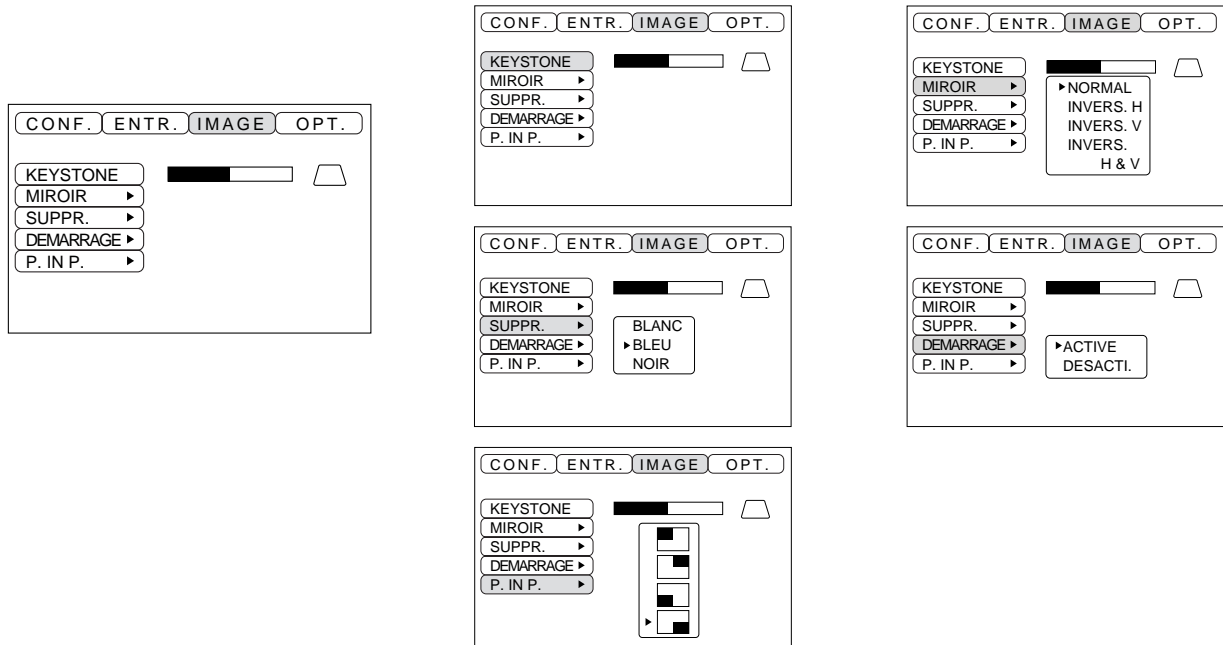


Paramètre	Description du réglage
RGB	Affichage des entrées RGB fH: fréquence de synchronisation horizontale fV: Fréquence de synchronisation verticale
VIDEO	Configuration du système de signal vidéo. Sélectionnes le mode qui convient au signal d'entrée si l'image est anormale (absence de couleur) ou défile.

Réglages et fonctions (suite)

IMAGE

Le menu IMAGE permet de sélectionner une projection d'image inversée par exemple.

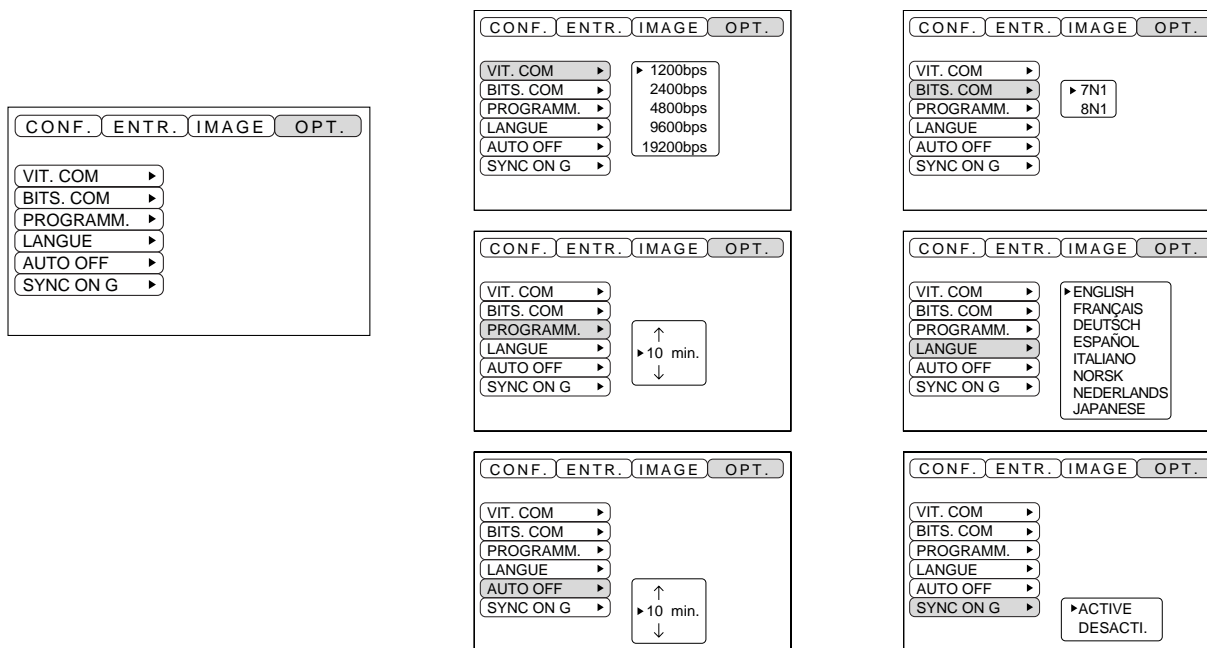


Paramètres	Description du réglage
DEFORMATION	Réduit la distorsion keystone en haut de l'image ↔ Réduit la distorsion keystone en bas de l'image
MIROIR	Pour Inverse l'image dans le sens vertical ou horizontal. H: inversion horizontale seulement V: inversion verticale seulement H&V: inversion horizontale et verticale
SUPPRESSION	Pour configurer la couleur de suppression lorsque le mode BLANK ON est activé ou lorsque aucun signal ne passe. La suppression est automatiquement activée si aucun signal ne passe pendant environ 5 minutes.
DEMARR.	Pour ouvrir ou fermer l'écran initial lors de l'entrée du signal au démarrage. Après l'annulation, la couleur du fond devient bleue.
P in P	Pour sélectionner la position d'affichage de l'écran secondaire pour l'image incrustée.

Réglages et fonctions (suite)

OPT

Le menu OPT (options) permet de régler les fonctions de communication par exemple.



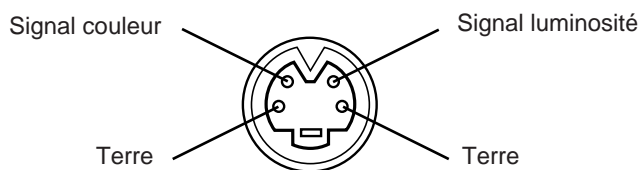
Paramètres	Description du réglage
VITESSE COM.	Pour régler la vitesse de communication (5 vitesses)
BITS COM.	Pour régler le format des données de transmission 7N1...données à 7 bits, sans parité, 1 bit d'arrêt 8N1...données à 8 bits, sans parité, 1 bit d'arrêt
PROGRAMME	Pour régler la minuterie (de 0 à 99 minutes)
LANGUE	Pour sélectionner la langue d'affichage du menu (anglais, français, allemand, espagnol, italien, norvégien, hollandais, japonais)
AUTO OFF	Pour régler le délai de coupure de l'alimentation (attente de fonctionnement) après le dernier signal d'entrée. Réglage sur 1–99 minutes, 0 et Aucun
SYNC ON G	Pour activer ou désactiver la fonction SYNC ON G.

Connexion aux prises de signal vidéo

1. Signaux d'entrée

Signal S-VIDEO		Signal de luminosité Signal couleur	1,0V crête-à-crête, impédance terminale de 75 Ω 0,286V crête-à-crête (signal par rafales), impédance terminale de 75 Ω
Signal VIDEO			1,0V crête-à-crête, impédance terminale de 75 Ω
Signal audio	Entrée		200mV rms, 20 Ω maximum (max. 3,0 V crête-à-crête)
	Sortie		0 - 200mV rms, 1k Ω

2. Prises d'entrée de signal



Entrée S-VIDEO (mini DIN 4 broches)

Caution

L'ordre de priorité des prises d'entrée vidéo est la suivante :

(1) prise d'entrée S-VIDEO (2) Prise d'entrée du jack RCA

Dans le cas de signaux vidéo, l'entrée audio de la vidéo ressort par la prise jack de sortie audio.

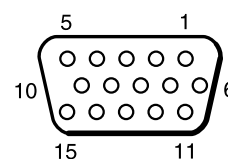
Connexion à la prise de signal RGB

1. Signaux d'entrée

Signal vidéo		Analogue, 0,7 V crête-à-crête, impédance terminale de 75 Ω (polarité positive)
Signal de synchronisation horizontale		Niveau TTL (polarité positive/négative)
Signal de synchronisation verticale		Niveau TTL (polarité positive/négative)
Signal de synchronisation composé		Niveau TTL
Signal audio	Entrée	200 mV rms, 20 Ω maximum (max. 3,0V crête-à-crête)
	Sortie	0-200mV rms, 1 Ω

2. Prises d'entrée des signaux

1	Entrée vidéo (rouge)	9	N.C.
2	Entrée vidéo (verte)	10	Terre
3	Entrée vidéo (bleue)	11	N.C.
4	N.C.	12	Prise de canal de visualisation
5	N.C.	13	Signal de sync horizontale/signal de sync composé
6	Terre (rouge)	14	Signal de sync verticale
7	Terre (verte)	15	Prise de canal de visualisation
8	Terre (bleue)		



Prise rétractable N-sub 15 broches

Connexion à la prise de signal RGB (suite)

3. Exemple de signal ordinateur

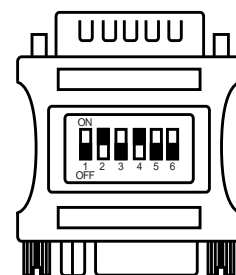
Résolution H × V	fH (kHz)	fV (kHz)	Caractéristiques	Mode de signal	Mode d'affichage	Remarque 1
640 × 400	24,8	56,4		NEC PC9800	Zoom avant	
640 × 350	37,9	85,1	VESA	VGA-1	Zoom avant	
640 × 400	37,9	85,1	VESA	VGA-2	Zoom avant	
720 × 400	37,9	85,0	VESA	TEXT	Zoom avant	
640 × 480	31,5	59,9	VESA	VGA-3	Zoom avant	
640 × 480	35,0	66,7		Mac13"mode	Zoom avant	SW 1 ACTIVE SW 2 ACTIVE
640 × 480	37,9	72,8	VESA	VGA-3(72Hz)	Zoom avant	
640 × 480	37,5	75,0	VESA	VGA-3(75Hz)	Zoom avant	
640 × 480	43,3	85,0	VESA	VGA-3(85Hz)	Zoom avant	
800 × 600	35,2	56,3	VESA	SVGA(56Hz)	Zoom avant	
800 × 600	37,9	60,3	VESA	SVGA(60Hz)	Zoom avant	
800 × 600	48,1	72,2	VESA	SVGA(72Hz)	Zoom avant	
800 × 600	46,9	75,0	VESA	SVGA(75Hz)	Zoom avant	
800 × 600	53,7	85,1	VESA	SVGA(85Hz)	Zoom avant	
832 × 624	49,7	74,5		Mac16"mode	Zoom avant	SW 2 ACTIVE SW 4 ACTIVE
1024 × 768	48,4	60,0	VESA	XGA(60Hz)		
1024 × 768	56,5	70,1	VESA	XGA(70Hz)		
1024 × 768	60,0	75,0	VESA	XGA(75Hz)		
1152 × 864	67,5	75,0	VESA	SXGA(75Hz)	Zoom arrière	
1280 × 960	60,0	60,0	VESA	SXGA(60Hz)	Zoom arrière	
1280 × 1024	64,0	60,0	VESA	SXGA(60Hz)	Zoom arrière	
1280 × 1024	80,0	75,0	VESA	SXGA(75Hz)	Zoom arrière	

Remarque 1: Pour le mode résolution il faut prévoir un adaptateur MAC.

Le projecteur est compatible avec les modes 13 pouces et 16 pouces.

Mode 13 pouces MAC = SW 1 et 2 activés

Mode 16 pouces MAC = SW 2 et 4 activés



(Exemple de mode à 16 pouces)

Mesure de précaution

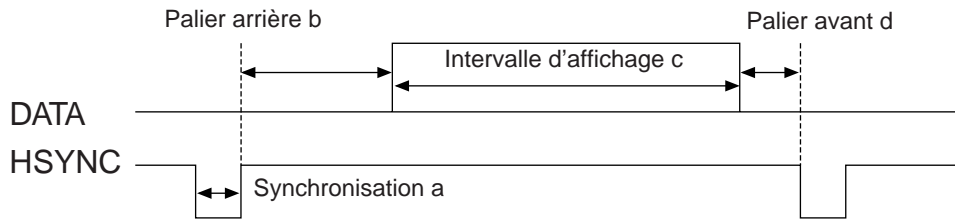
- Certains ordinateurs ont des modes d'affichages multiples. Certains de ces affichages ne sont pas compatibles avec le projecteur.
- Avant de connecter le projecteur à un ordinateur, vérifiez le type de prise, le niveau de signal, la synchronisation et la résolution.
- Dans certains cas le signal d'entrée ne permet pas un affichage plein écran.

Connexion à la prise signal RGB

4. Signaux de réglage d'origine

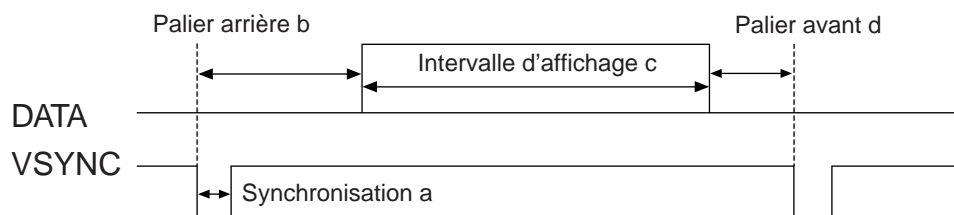
Les signaux utilisés pour les réglages d'origine sont indiqués ci-après.

Sur certains modèles d'ordinateur la commande du rythme de signal diffère. Il faudra dans ce cas régler la position verticale et la position horizontale conformément aux indications de la page 17 et 18. (V.POSIT et H.POSIT).



Ordinateur/signal	Rythme de signal horizontal (µs)			
	a	b	c	d
VGA-1(85Hz)	2,0	3,0	20,3	1,0
VGA-2(85Hz)	2,0	3,0	20,3	1,0
PC-9800	3,0	3,8	30,4	3,0
TEXT	2,0	3,0	20,3	1,0
VGA-3	3,8	1,9	25,4	0,6
Mac 13"mode	2,1	3,2	21,2	2,1
VGA-3(72Hz)	1,3	3,8	20,3	1,0
VGA-3(75Hz)	2,0	3,8	20,3	0,5
VGA-3(85Hz)	1,6	2,2	17,8	1,6
SVGA(56Hz)	2,0	3,6	22,2	0,7
SVGA(60Hz)	3,2	2,2	20,0	1,0

Ordinateur/signal	Rythme de signal horizontal (µs)			
	a	b	c	d
SVGA (72Hz)	2,4	1,3	16,0	1,1
SVGA (75Hz)	1,6	3,2	16,2	0,3
SVGA (85Hz)	1,1	2,7	14,2	0,6
Mac 16"mode	1,1	3,9	14,5	0,6
XGA (60Hz)	2,1	2,5	15,8	0,4
XGA (70Hz)	1,8	1,9	13,7	0,3
XGA (75Hz)	1,2	2,2	13,0	0,2
SXGA (1152 X 864, 75Hz)	1,2	2,4	10,7	0,6
SXGA (1280 X 960, 60Hz)	1,0	2,9	11,9	0,9
SXGA (1280 X 1024, 60Hz)	1,0	2,9	11,9	0,9
SXGA (1280 X 1024, 75Hz)	1,1	1,8	9,5	0,1

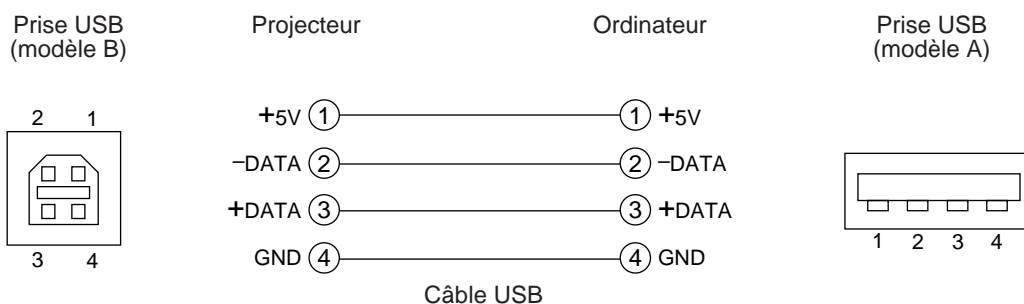


Ordinateur/signal	Rythme de signal vertical (lignes)			
	a	b	c	d
VGA-1 (85Hz)	3	60	350	32
VGA-2 (85Hz)	3	41	400	1
PC-9800	8	25	400	7
TEXT	3	42	480	1
VGA-3	2	33	480	10
Mac 13"mode	3	39	480	3
VGA-3 (72Hz)	3	28	480	9
VGA-3 (75Hz)	3	16	480	1
VGA-3 (85Hz)	3	25	480	1
SVGA (56Hz)	2	22	600	1
SVGA (60Hz)	4	23	600	1

Ordinateur/signal	Rythme de signal vertical (lignes)			
	a	b	c	d
SVGA (72Hz)	6	23	600	37
SVGA (75Hz)	3	21	600	1
SVGA (85Hz)	3	27	600	1
Mac 16"mode	3	39	624	1
XGA (60Hz)	6	29	768	3
XGA (70Hz)	6	29	768	3
XGA (75Hz)	3	28	768	1
SXGA (1152 X 864, 75Hz)	3	32	864	1
SXGA (1280 X 960, 60Hz)	3	36	960	1
SXGA (1280 X 1024, 60Hz)	3	38	1024	1
SXGA (1280 X 1024, 75Hz)	3	38	1024	1

Connexion au système USB

1. Raccordez le projecteur et l'ordinateur à l'aide d'un câble en vente dans les magasins. Débranchez le câble de souris du projecteur.
2. Sélectionnez l'entrée sur laquelle devra être connecté l'ordinateur en appuyant sur la touche INPUT du projecteur ou sur la touche RGB de la télécommande.
3. Démarrez le fonctionnement de la souris.
4. La commande à distance de la souris est expliquée pages 10.
5. La vitesse de déplacement de la souris varie en fonction de la pression exercée sur l'orienteur à disque de la télécommande.



Mesure de précaution

- Lisez attentivement le manuel d'entretien de l'ordinateur avant d'effectuer les connexions.
- Utilisez le câble de connexion USB fourni en option.
- Avec le système USB le fonctionnement n'est possible qu'avec la souris.
- Utilisez exclusivement avec un ordinateur individuel.
- Lors de l'utilisation de l'appareil avec Windows 95, il faut le régler de façon que USB puisse être utilisé avec OSR version 2.1 ou supérieure. En fonction de la version du contrôleur d'hôte, il est possible que les opérations ne soient pas possibles.
- Sur les ordinateurs portables munis d'un pointeur incorporé du type boule roulante, il arrive que le pointeur prenne la priorité sur la souris raccordée et que de ce fait la souris ne puisse être sélectionnée.

Il faudra alors désactiver le pointeur incorporé et modifier les réglages BIOS (configuration du système) de manière à pouvoir reconnaître une souris externe.

Une fois les réglages BIOS modifiés, procédez comme indiqué de 1 à 3 ci-dessus.

Les réglages BIOS sont indiqués dans le manuel qui accompagne l'ordinateur.

Certains ordinateurs n'ont pas de programme utilitaire pour la souris. Consultez le manuel de l'ordinateur.

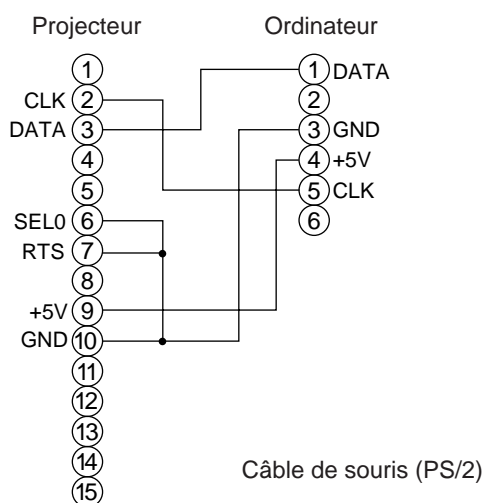
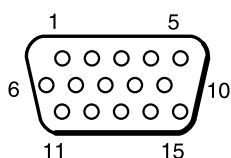
Connexion à la prise de signal de commande

1. Fonctionnement de la souris

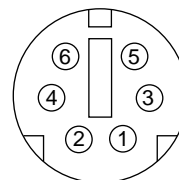
- (1) Coupez l'alimentation principale du projecteur et de l'ordinateur. Connectez les deux unités avec le câble fourni. Débranchez le câble USB du projecteur.
- (2) Remettez le projecteur sous tension (Le témoin POWER s'allume en vert.).
- (3) Sélectionnez l'entrée sur laquelle devra être connecté l'ordinateur en appuyant sur la touche INPUT du projecteur ou sur la touche RGB de la télécommande.
- (4) Remettez l'ordinateur sous tension.
- (5) Démarrez le fonctionnement de la souris.
Si la souris n'est pas activée, réinitialisez l'ordinateur (touches de réinitialisation).
La commande à distance de la souris est expliquée pages 10 - 26.
- (6) *Voir page 10 les détails de la commande à distance de la souris.
- (7) La vitesse de déplacement de la souris varie en fonction de la pression exercée sur l'orienteur à disque de la télécommande.

PS/2 Souris

Prise de commande
Prise jack rétractable N-sub 15 broches



Prise de souris
MINI DIN 6 broches



Utilisez le câble de souris fourni.

Les câbles de souris en mode ADB (Apple), mode bus (NEC) et mode série sont vendus en option.

Mesure de précaution

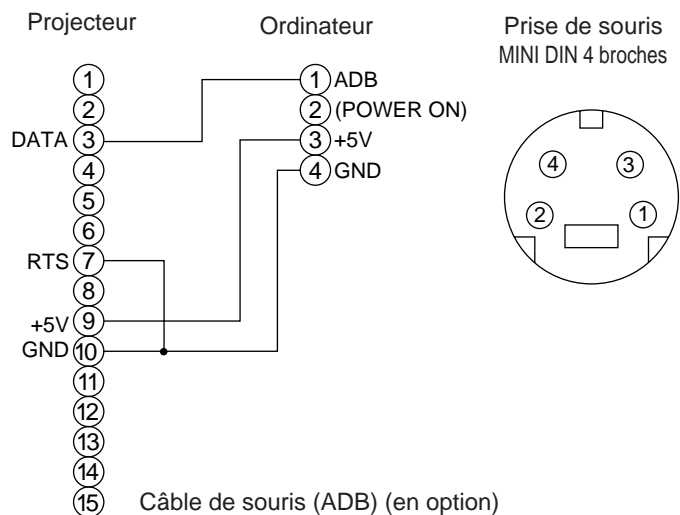
- Lisez attentivement le manuel d'entretien de l'ordinateur avant d'effectuer les connexions.
- Coupez l'alimentation principale du projecteur et de l'ordinateur avant d'effectuer la connexion.
Des dysfonctionnements peuvent apparaître si le câble de la souris est connecté alors que l'ordinateur est sous tension.
Utilisez le câble de souris fourni pour la connexion ou un câble en option.
- Sur les ordinateurs portables munis d'un pointeur incorporé du type boule roulante il arrive que le pointeur prenne la priorité sur la souris raccordée en complément et que de ce fait la souris ne soit pas reconnue.
Il faudra alors désactiver le pointeur incorporé et modifier les réglages BIOS (configuration du système) de manière à pouvoir reconnaître une souris externe.
Une fois les réglages BIOS modifiés, procédez comme indiqué de 1 à 3 ci-dessus.
Les réglages BIOS sont indiqués dans le manuel qui accompagne l'ordinateur.
Certains ordinateurs n'ont pas de programme utilitaire pour la souris. Consultez le manuel de l'ordinateur.

Connexion à la prise de signal de commande (suite)

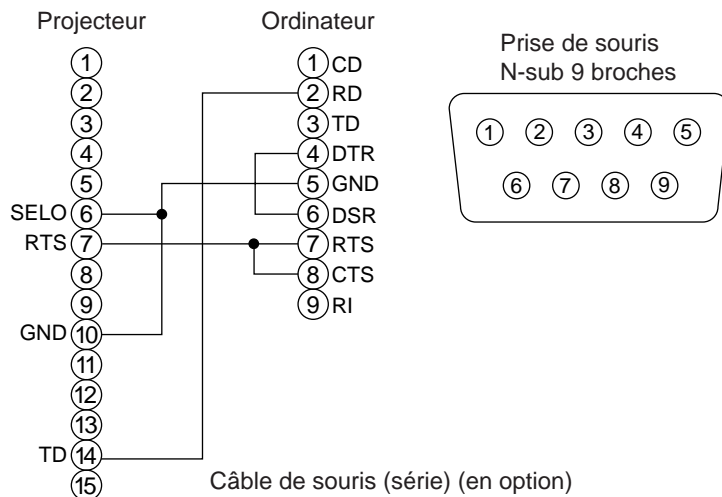
Prise de signal de COMMANDE

N° de broche	RS-232C	Souris		
		PS/2	ADB	Serial
1				
2		CLK		
3		DATA	DATA	
4				
5				
6	SELO	SELO		SELO
7	RTS	RTS	RTS	RTS
8				
9		+5V	+5V	
10	GND	GND	GND	GND
11				
12				
13	RD			
14	TD			TD
15				

Souris ADB (Mac)



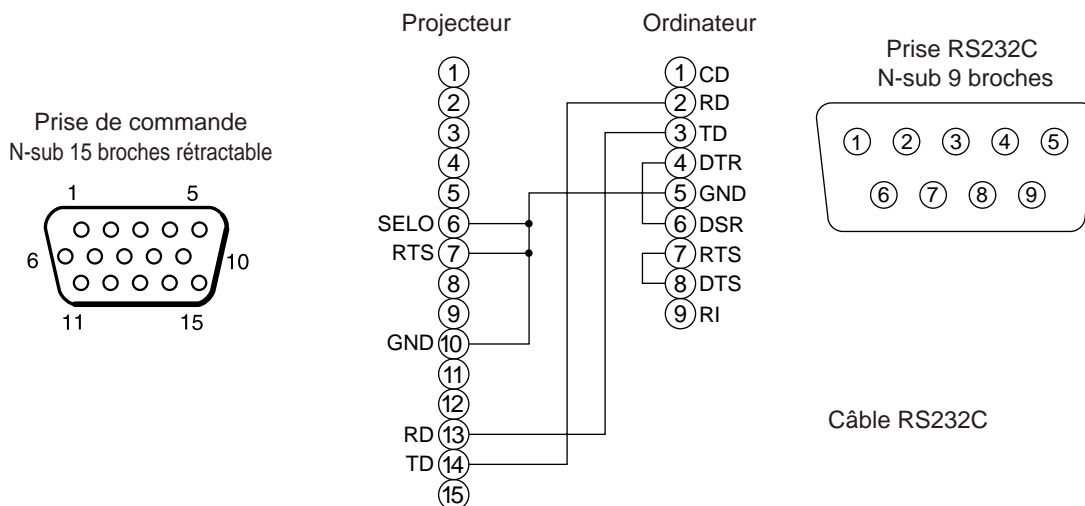
Souris en série



Connexion à la prise de signal de commande (suite)

2. Communication RS232C

- (1) Couper l'alimentation principale de l'ordinateur et du projecteur. Branchez le câble RS232C.
- (2) Remettez l'ordinateur sous tension, lancez l'ordinateur, puis remettez le projecteur sous tension.
- (3) Réglez la vitesse de communication et le nombre de bits de communication conformément aux indications de la page 21.
- (4) Démarrer la communication RS232C.



Commande	Projecteur→ordinateur		Ordinateur→projecteur					
	Code de réponse		Code d'interrogation		Code de réglage		Code de réglage par défaut	
	1st	2nd data	1st	2nd	1st	2nd data	1st	2nd
SOURIS	11h	05h +1	20h	05h	31h	05h +1	40h	05h
COMMUNIQUER	11h	06h +1	20h	06h	31h	06h +1	40h	06h
ALIMENTATION	11h	11h +1	20h	11h	31h	11h +1	---	---
ZOOM	11h	12h +1	---	---	31h	12h +1	---	---
MISE AU POINT	11h	13h +1	---	---	31h	13h +1	---	---
MIROIR	11h	14h +1	20h	14h	31h	14h +1	40h	14h
ENTREE	11h	21h +1	20h	21h	31h	21h +1	40h	21h
SYSTEME (VIDEO)	12h	22h +2	20h	22h	32h	22h +2	40h	22h
VOLUME	11h	23h +1	20h	23h	31h	23h +1	40h	23h
SILENCIEUX	11h	24h +1	20h	24h	31h	24h +1	40h	24h
LUMINOSITE	13h	31h +3	20h	31h	33h	31h +3	40h	31h
CONTRASTE	13h	32h +3	20h	32h	33h	32h +3	40h	32h
COULEUR	13h	33h +3	20h	33h	33h	33h +3	40h	33h
TEINTE	13h	34h +3	20h	34h	33h	34h +3	40h	34h
NETTETE	13h	35h +3	20h	35h	33h	35h +3	40h	35h
PHASE H.	13h	37h +3	20h	37h	33h	37h +3	40h	37h
POSITION H.	14h	38h +4	---	---	34h	38h +4	40h	38h
TAILLE H.	14h	36h +4	---	---	34h	36h +4	40h	36h
POSITION V.	14h	3Ah +4	---	---	34h	3Ah +4	40h	3Ah
EQUILIBRAGE DU ROUGE	13h	3Bh +3	20h	3Bh	33h	3Bh +3	40h	3Bh
EQUILIBRAGE DU BLEU	13h	3Dh +3	20h	3Dh	33h	3Dh +3	40h	3Dh
RÉGLAGES AUTO	11h	3Ch +1	20h	3Ch	31h	3Ch +1	40h	3Ch
SUPPRESSION	11h	41h +1	20h	41h	31h	41h +1	40h	41h
AGRANDISSEMENT	11h	15h +1	20h	15h	31h	15h +1	40h	15h
ARRET SUR IMAGE	11h	16h +1	20h	16h	31h	16h +1	40h	16h

Connexion à la prise de signal de commande (suite)

Tableau des données de commande

Commande	Code de donnée
SOURIS	00h=souris invalidée, 01 - 7Fh=démarrage souris
COMMUNIQUER	0Xh=8N1, 1Xh=7N1 X0h=1200bps, X1h=2400bps, X2h=4800bps, X3h=9600bps, X4h=19200bps
ALIMENTATION	3Eh=Hors tension (attente de fonctionnement), 3Fh=sous tension
ZOOM	01-3fH=zomm+, 41 - 7Fh=Zoom -
MISE AU POINT	01- 3Fh=mise au point+, 41 - 7Fh=Mise au point -
MIROIR	00h=normal, 01h=Invers. H., 02h=Invers. V., 03h= Invers. V.&H.
ENTREE	11h=VIDEO, 21h=RGB1, 22h=RGB2
SYSTEME (VIDEO)	00h 00h=Auto, 00h 01h=NTSC, 00h 04h=NTSC4. 43 00h 02h=PAL, 00h 03h=SECAM, 00h 05h=M-PAL, 00h 06h=N-PAL
VOLUME	00h (volume faible) - 24h (volume fort)
SILENCIEUX	00h=activé, 01h=désactivé
LUMINOSITE	00h 00h 00h (Sombre) - 00h 00h 24h (clair)
CONTRASTE	00h 00h 00h (Faible) - 00h 00h 24h (dense)
COULEUR	00h 00h 00h (Atténuée) - 00h 00h 24h (Dense)
TEINTE	00h 00h 00h (vers le rouge) - 00h 00h 24h (vers le vert)
NETTETE	00h 00h 00h (Enveloppée) - 00h 00h 24h (Franche)
PHASE H.	00h 00h 00h - 00h 00h 24h
POSITION H	00h 00h 00h 01h déplacement d'un incrément vers la droite 00h 00h 00h 7Fh déplacement d'un incrément vers la gauche
TAILLE H.	00h 00h 00h 01h Etale l'image de deux incréments 00h 00h 00h 7Fh Rétrécit l'image de deux incréments
POSITION V.	00h 00h 00h 01h déplacement d'un incrément vers le haut 00h 00h 00h 7Fh déplacement d'un incrément vers le bas
EQUIL. CHROM. R	00h 00h 00h (rouge clair) - 00h 00h 24h (rouge foncé)
EQUIL. CHROM. B	00h 00h 00h (bleu clair) - 00h 00h 24h (bleu foncé)
REGLAGE AUTO	00h (REGLAGE AUTO ACTIVE)
SUPPRESSION	0Xh=Suppression désactivée , 1Xh=Suppression activée X=8 Noir, X=9 Bleu, X=F Blanc
AGRANDISSEMENT	00h=affichage normal, 01H=affichage agrandi ou augmentation du rapport de zoom 7Fh=diminution du rapport de zoom
ARRET SUR IMAGE	00h=affichage normal, 01h=affiche de l'image figée

La configuration des codes de commande donne une commande à 2 octets avec les données suivantes :

- Le premier octet indique le type de commande avec 3 bits du côté des bits les plus significatifs et la longueur des données avec 4 bits du côté des bits les moins significatifs.

Projecteur - ordinateur	Ordinateur - projecteur
'0xH' : code d'erreur	'2xH' : code d'interrogation
'1xH' : code de réponse	'3xH' : code de réglage
'70H' : code d'erreur de cadrage	'4xH' : code de réglage par défaut
- 'x' indique la longueur des données (par exemple : x=2 signifie une commande à 2 octets).
- Le deuxième octet indique le contenu de la commande.

Connexion à la prise de signal de commande (suite)

Interrogation sur le statut du projecteur

- (1) Envoyez le code d'interrogation '20H' + 'yyH' de l'ordinateur vers le projecteur.
- (2) Le projecteur renvoi le code de réponse '1xH' + 'yyH' + données vers l'ordinateur.

Modification des réglages du projecteur

- (1) Envoyez le code de réglage '3xH' + 'yyH' + données de l'ordinateur vers le projecteur.
- (2) Le projecteur modifie les réglages en fonction des codes de réglages reçus.
- (3) Le projecteur renvoi le code de réponse '1xH' + 'yyH' + données vers l'ordinateur.

Mesure de précaution

Les données de réponse (3) doivent correspondre aux données de réglage (1).
Si par exemple le projecteur ne peut pas se configurer sur les données de réglage (1), il se configurera sur la valeur la plus proche. Cette valeur servira pour les données de réponse (3)
“ Ou encore le projecteur renverra les données de code d'erreur '0xH' + 'yyH'.

Utilisation des réglages par défaut du projecteur

- (1) L'ordinateur envoie le code des réglages par défaut '40H' + 'yyH' vers les projecteur.
- (2) Le projecteur attribue la valeur par défaut aux réglages spécifiés.
- (3) Le projecteur renvoi la valeur par défaut avec le code de réponse '1xH' + 'yyH' = données.

Le projecteur ne peut pas interpréter la commande de l'ordinateur

- (1) L'ordinateur envoie le code de commande '3xH', '4xH' ou '4xH' + 'yyH' + données vers le projecteur.
- (2) S'il ne sait pas interpréter la commande renvoyée par le projecteur, l'ordinateur renvoi la commande d'erreur '00H' + 'yyH'.

Il n'est pas possible d'interpréter les données transmises par le projecteur

- (1) L'ordinateur envoie le code de commande '2xH', '4xH' ou '4xH' + 'yyH' + données vers le projecteur.
- (2) S'il n'est pas possible d'interpréter la commande envoyée par le projecteur le code d'erreur '0xH' + 'yyH' + données est renvoyé.

Le projecteur ignore les codes de données qui dépassent la longueur définie dans le code de longueur des données

Inversement, un code d'erreur est envoyé au projecteur lorsque les données sont plus courtes que la valeur indiquée dans le code de longueur des données.

En cas d'erreur de cadre

Répéter 10 fois par seconde jusqu'à ce le code d'erreur 70H + 70H reçoivent une réponse quelconque.

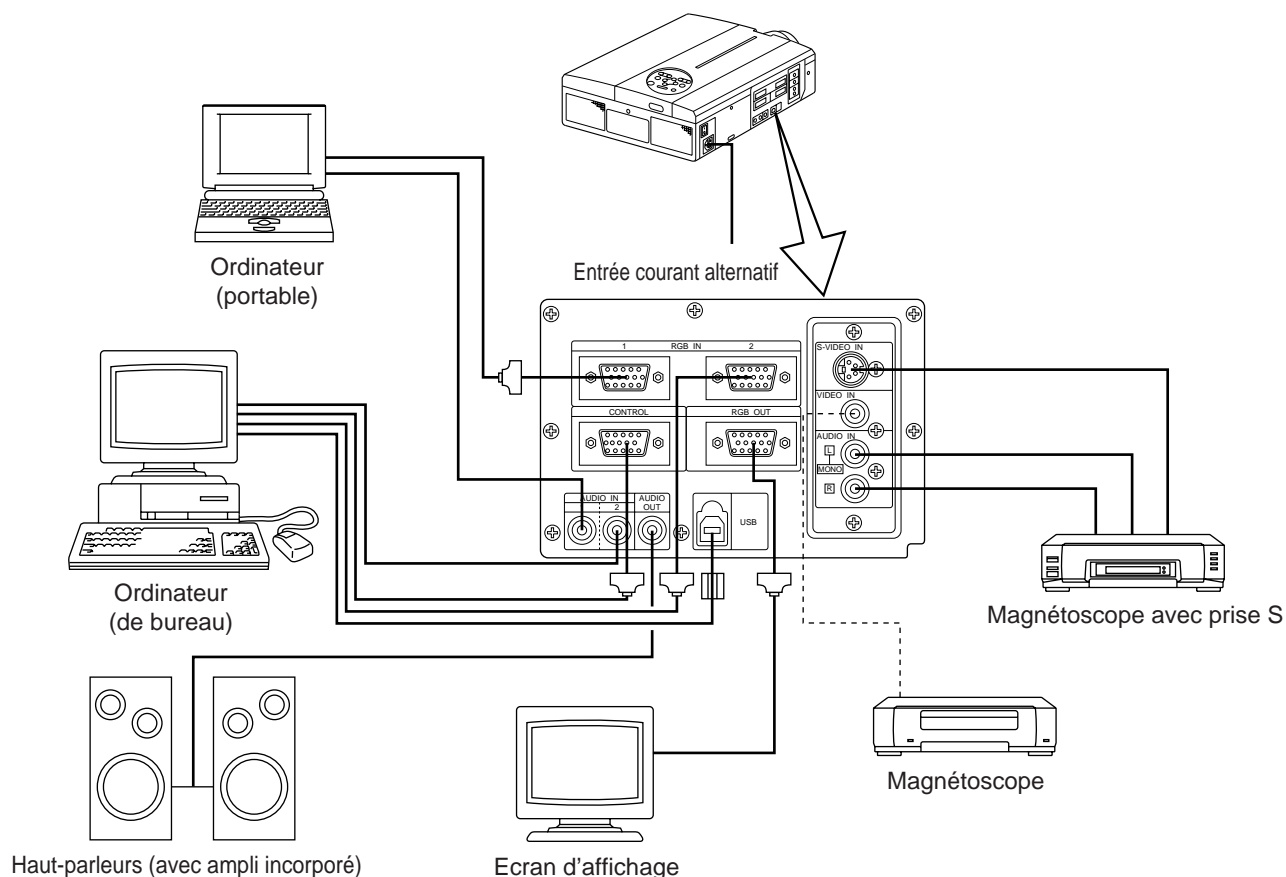
Lorsque l'intervalle entre les octets est égal ou supérieur à 500ms pour une commande

Si aucune commande ou donnée n'est envoyée dans un délai de 500 ms après l'émission du code de commande '2xH', '3xH' ou '4xH' par l'ordinateur, la commande d'erreur '70H' + '70H' est envoyée dès que le délai de 500 ms expire. Une erreur de cadre se produit si aucune réponse n'est envoyée dans la seconde qui suit.

Mesure de précaution

- Le fonctionnement du projecteur n'est pas garanti si celui-ci reçoit une commande ou des données non définies.
- Prévoyez un intervalle de 40 ms au moins entre le code de réponse et un autre code.

Exemple de configuration

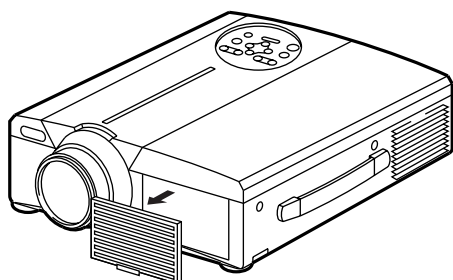


Mesure de précaution Avant de connecter, coupez l'alimentation électrique principale de tous les dispositifs.
Avant de connecter, consultez le manuel d'entretien de chaque dispositif

Nettoyage du filtre à air

Nettoyez le filtre à air toutes les 100 heures d'utilisation.

- 1** Coupez l'alimentation principale du projecteur et débranchez la prise murale.
- 2** Déposez le filtre à air avant.



Nettoyage du filtre à air (suite)

3 Passez l'aspirateur sur le filtre à air.

4 Remettez le filtre à air en place.

Mesure de précaution

Le projecteur s'éteint quand le filtre à air est bouché par la poussière par exemple, ceci afin d'empêcher la température interne de monter. (Le témoin devient rouge.)

N'utilisez jamais le projecteur sans son filtre. (Si vous utilisez l'appareil avec le filtre à air retiré, la poussière risque de pénétrer à l'intérieur du panneau LCD et d'avoir un effet néfaste sur la qualité des images.)

Lampe

La lampe de la source optique a une durée de vie limitée.

Après une utilisation prolongée, les images deviennent plus sombres et les couleurs se détériorent.

La lampe doit être remplacée car utilisée dans ces conditions elle risque d'altérer le fonctionnement du projecteur.

Un témoin s'allume ou un message apparaît au moment où le projecteur s'éteint pour indiquer que la lampe doit être remplacée.

Il faut alors remplacer la lampe par une neuve. Contactez BOXLIGHT pour cette opération.

Mesure de précaution

Même si la lampe est à une température élevée, l'alimentation du projecteur risque de se couper pour éviter toute augmentation excessive de température à l'intérieur du projecteur. (Le témoin POWER s'éteint.) Coupez l'interrupteur MAIN POWER, attendez environ 20 minutes et réenclenchez l'interrupteur MAIN POWER. Si le projecteur ne s'est pas rétabli pas quand vous remettez le contact, contactez BOXLIGHT.

Tableau des messages d'information

Ecrans d'affichage

Les messages suivants s'affichent sur l'écran.

CHANGEZ LA LAMPE "APPELEZ UN AGENT D'ENTRETIEN"	La durée d'utilisation totale de la lampe approche de la durée de service de la lampe. Remplacez la lampe par une neuve. La lampe s'éteindra automatiquement lorsque le moment de replacer la lampe sera dépassé. *1
"CHANGEZ LA LAMPE" "APPELEZ UN AGENT D'ENTRETIEN" "LA LAMPE S'ETEINDRA DANS * heures"	La durée d'utilisation totale de la lampe approche du moment de remplacement de la lampe. La lampe s'éteindra dans (*) heures. Remplacez rapidement par une lampe neuve. *1 *Indique le nombre d'heures qui restent jusqu'à ce que la lampe s'éteigne automatiquement.
Clignotement de "CHANGEZ LA LAMPE"	La durée d'utilisation totale de la lampe a dépassé le moment de remplacement. Le témoin clignote pendant environ 10 minutes, puis il s'éteint automatiquement. Remplacez par une lampe neuve
AUCUNE ENTRÉE DETECTÉE	Il n'y a aucune entrée de signal (voir pages 22, 23).
HORS LIMITE DE SYNCHRONISATION	La fréquence de synchronisation horizontale et verticale actuelle n'est pas utilisable par le projecteur (voir pages 23, 24).

*1 Cet affichage disparaît au bout de 3 min. Il réapparaîtra chaque fois que l'appareil sera mis sous tension.

Tableau des messages d'information (suite)

Témoins

Les témoins de MARCHE, de LAMPE et de TEMP s'allument ou clignotent dans les cas suivants.

Témoin de MARCHE	Témoin de LAMPE	Témoin de TEMP	Etat	Démarche
S'allume en orange	S'éteint	S'éteint	En attente de fonctionnement	_____
Clignote en vert	S'éteint	S'éteint	L'appareil chauffe	_____
S'allume en vert	S'éteint	S'éteint	Etat de fonctionnement *1	_____
Clignote en orange	S'éteint	S'éteint	L'appareil refroidit	_____
S'allume en rouge	S'allume en rouge	S'éteint	La lampe de s'allume pas. *2 La température interne est trop élevée.	Attendez un moment (environ 20 min.) avant de remettre l'appareil sous tension. Nettoyez le filtre à air avant de mettre l'appareil sous tension. Si le témoin est toujours allumé, contactez votre distributeur.
S'allume en rouge	Clignote en vert	S'éteint	Il n'y a pas de lampe ou le couvercle n'est pas mis.	Contactez BOXLIGHT
S'allume en rouge	S'éteint	Clignote en vert	Le ventilateur ne fonctionne pas	Contactez BOXLIGHT
Clignote en vert	Clignote en vert	S'éteint	La durée d'utilisation totale de la lampe a dépassé le moment de remplacement.	Contactez BOXLIGHT

Eteignez l'interrupteur principal avant de continuer si les témoins de LAMPE et de TEMP s'allument ou clignotent. Contactez BOXLIGHT si le problème persiste.

*1: L'appareil s'éteint automatiquement dès que le ventilateur s'arrête afin de refroidir les éléments internes qui ont atteint une température élevée (le témoin s'éteint). Coupez l'alimentation principale du projecteur et attendez qu'il refroidisse avant de le remettre sous tension. La lampe doit s'allumer. Dans la négative contactez BOXLIGHT.

*2: Dans certains cas la lampe s'éteint par mesure de sécurité et le témoin LAMPE clignote en rouge pour indiquer que la température intérieure de l'appareil est élevée, lorsque les ouvertures d'aération sont bouchées par exemple. Coupez alors l'alimentation principale de l'appareil et attendez qu'il refroidisse (environ 20 min.) avant de le remettre sous tension.

Dépannage

Consultez le tableau ci-après avant d'appeler le service de dépannage. Si le problème persiste contactez BOXLIGHT.

Symptôme	Cause possible	Réparation	Page
L'appareil n'est pas sous tension	<ul style="list-style-type: none"> •l'interrupteur principal n'est pas allumé •Le fil électrique est débranché 	<ul style="list-style-type: none"> •Allumez l'interrupteur principal •Branchez le fil électrique à la prise murale 	P.13 P.9
Pas d'image ou de son	<ul style="list-style-type: none"> •L'entrée n'est pas correctement configurée •Aucun signal n'est envoyé 	<ul style="list-style-type: none"> •Configurer à l'aide du projecteur ou de la télécommande •Vérifiez la connexion 	P.8,10, 13,19 P.9,31
L'image est présente mais pas le son	<ul style="list-style-type: none"> •Le projecteur est mal connecté •Le volume est trop bas •Le silencieux est activé •Les signaux audio commutent sur RGB lorsque la fonction P in P est activée. 	<ul style="list-style-type: none"> •Rectifiez la connexion •Appuyez sur la touche VOLUME + de la télécommande ou de l'affichage pour régler le volume •Appuyez sur la touche MUTE •Affiche la barre de volume et commute l'entrée audio. 	P.9,31 P.10,18 P.8,10 P.10
Le son est présent mais pas l'image	<ul style="list-style-type: none"> •Le projecteur est mal connecté •Le bouton de réglage de la luminosité est tourné à fond vers la droite •Le capuchon de l'objectif n'est pas retiré 	<ul style="list-style-type: none"> •Rectifiez la connexion •Sélectionnez BRIGHT (LUMINOSITE) sur le MENU et appuyez sur la touche (►). •Retirez le capuchon 	P.9,31 P.17 P.13
Les couleurs sont atténuées ou les nuances sont mauvaises	La densité des couleurs et les nuances ne sont pas correctement réglées.	Régler la vidéo	P.18
Les images sont sombres	<ul style="list-style-type: none"> •La luminosité et le contraste ne sont pas correctement réglés •La durée de vie de la lampe arrive à expiration 	<ul style="list-style-type: none"> •Réglez la vidéo •Remplacez par une lampe neuve 	P.18 P.32
La vidéo est floue	Mauvaise mise au point ou mauvais réglage de la PHASE H.	Régler la mise au point ou la phase horizontale	P.13,18
Le témoin de LAMPE s'allume en rouge	Lampe grillée	Attendez environ 20 min. avant de rallumer l'interrupteur général.	P.33
	Surchauffe interne	<ul style="list-style-type: none"> •Vérifiez que les ouvertures d'aération ne sont pas bouchées. •Nettoyez le filtre à air •Abaisser la température ambiante à 35°C maximum. 	P.31,32

Un point clair apparaît sur l'image. Ceci est un phénomène normal inhérent aux affichages cristaux liquides.

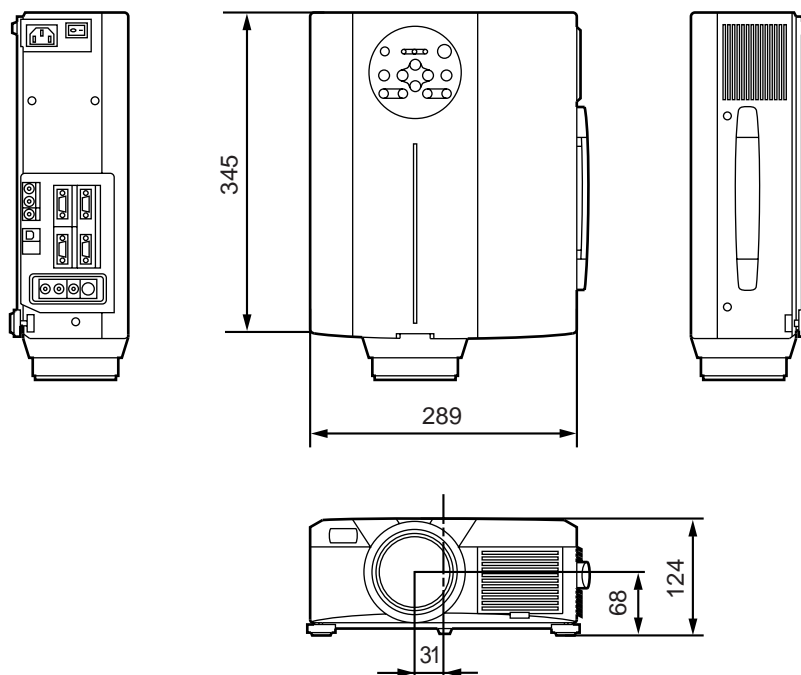
Caractéristiques techniques

· Ces caractéristiques sont sujettes à modification sans préavis.

Désignation du produit		Projecteur à cristaux liquides
Modèle		MP-650i
Affichage		Trois panneaux de cristaux liquides, trois couleurs primaires
Panneau cristaux liquides	Taille	3,3 cm (type 1,3)
	Alimentation	Matrice active TFT
	Nombre de pixels	786.432 pixels (1.024 horizontal x 768 vertical)
Objectif		A zoom F 1,7 - 2,3 f=49 - 64 mm
Lampe		190w UHB
Haut-parleurs		1,2 W + 1,2 W (stéréo)
Alimentation électrique		CA 100 - 120V 3,7A/CA 220V - 240 V 1,5 A
Consommation électrique		320W
Gamme de température de fonctionnement		0 ~ 35°C
Taille		289 (W) x 124 (H) x 345 (D)
Poids (masse)		5,9 kg
Prises d'entrée du signal vidéo		S-VIDEO : prise MINI DIN 4 broches VIDEO : prise RCA AUDIO : prise RCA
Prise d'entrée/sortie du signal RGB		Signaux RGB : prise rétractable 15 broches N-sub Audio : mini-jack stéréo
Prise de signal de COMMANDE		Prise rétractable 15 broches N-sub
Prise USB		Type B

Schéma côté

Unité : mm



Garantie et service après-vente

Garantie limitée

BOXLIGHT CORPORATION (“BOXLIGHT”) garantit que chaque Boxlight MP-650i (“le Produit”) vendu ci-après est conforme à et fonctionne selon les spécifications écrites de BOXLIGHT. Ladite garantie limitée ne s’applique qu’à la première personne ou entité qui achète le Produit pour un usage personnel ou commercial, et non à des fins de revente. Ladite garantie est valable pendant une période de deux (2) ans à compter de la date d’achat. BOXLIGHT ne garantit pas que le Produit respectera les exigences spécifiques de la première personne ou entité qui achète le Produit pour un usage personnel ou commercial. La lampe est garantie 120 jours.

La responsabilité de BOXLIGHT CORPORATION en cas de non respect de la garantie limitée ci-dessus est limitée à la réparation ou au remplacement du Produit ou au remboursement du prix d’achat du Produit, à la seule option de BOXLIGHT. Pour que l’Acheteur puisse exercer ses droits au titre de la garantie ci-dessus, le Produit devra être retourné aux seuls frais de l’Acheteur, à BOXLIGHT ou à tout service après-vente autorisé, à condition toutefois que le Produit soit accompagné d’une lettre écrite expliquant le problème et comprenant (i) un justificatif d’achat ; (ii) le nom du revendeur ; (iii) le numéro de modèle et le numéro de série du Produit. Un numéro d’autorisation de retour délivré par le service client de BOXLIGHT devra également être clairement affiché sur l’extérieur du carton d’expédition renfermant le Produit.

Garantie limitée et exclusion

BOXLIGHT CORPORATION ne sera tenu à aucune obligation au titre de la garantie limitée ci-dessus si le Produit a été endommagé du fait d’un usage abusif, d’une mauvaise utilisation, d’une négligence, d’un accident, d’une tension physique ou électrique inhabituelle, d’une modification non autorisée, d’une falsification, d’altérations ou d’une réparation effectuée par quelqu’un d’autre que BOXLIGHT ou ses agents autorisés, des causes autres que celles résultant d’une utilisation ordinaire ou une utilisation incorrecte du Produit dans l’application pour laquelle le Produit est conçu.

Renonciation de responsabilité ou garanties tacites

La garantie imprimée ci-dessus est la seule garantie applicable à cet achat.

La responsabilité pour toutes les autres garanties, expresses ou tacites, y compris, mais sans y être limitées, les garanties ou la commercialisabilité impliquées et l’adaptation à un usage particulier est rejetée. Il n’existe pas de garantie qui s’étendent au-delà de la portée de ladite garantie, et ladite garantie ne sera pas élargie, altérée ni modifiée sauf sur document écrit et signé de BOXLIGHT CORPORATION.

Limite de responsabilité

Il est entendu et approuvé que la responsabilité de BOXLIGHT relativement soit au contrat, soit aux torts, aux termes de toute garantie, par négligence ou autrement, ne dépassera pas le remboursement du montant du prix d’achat versé par l’Acheteur, et en aucun cas BOXLIGHT ne sera tenu responsable des dommages spéciaux, indirects ou consécutifs. Le prix défini pour le Produit rentre en considération dans la limitation de responsabilité de BOXLIGHT. Aucun recours, sous quelque forme que ce soit, résultant d’un accord d’achat de ce Produit, ne peut être présenté par l’Acheteur si plus d’un an s’est écoulé après la cause de l’action.



Boxlight
19332 Powder Hill Place
Pouls bo, WA 98370-4407 Etats-Unis
www.boxlight.com
Etats-Unis et Canada 800-762-5757
International 360-779-7901

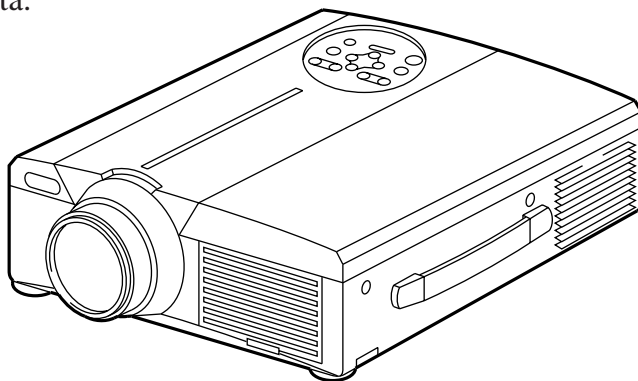
Proiettore a cristalli liquidi

Modello

MP-650i

GUIDA DELL'UTENTE

Vi ringraziamo per aver acquistato il proiettore LCD. Vi preghiamo voler leggere attentamente il manuale dell'utente in modo tale da poter comprendere quanto riportato ai fini di un corretto utilizzo del proiettore. Una volta terminata la lettura del manuale, conservatelo in luogo sicuro per future eventuali necessità.



Profilo

Il proiettore LCD viene utilizzato per proiettare su schermo vari segnali computerizzati nonché segnali video NTSC/PAL/SECAM. L'installazione dell'apparecchio richiede uno spazio minimo a fronte della possibilità di ottenere, in modo semplice, grandi immagini.

Funzioni

(1) Notevole livello di luminosità

Garanzia di immagini luminose, grazie alla lampada UHB ed al sistema ottico ad alta efficienza.

(2) Funzione di ingrandimento parziale.

Interesting parts of images can be magnified for closer viewing.

(3) Funzione rettifica distorsione.

Disponibilità immediata di immagini senza distorsione.

(4) Controllo zoom e controllo messa a fuoco

(5) Funzione P in P (Picture in Picture)

(Immagine nell'immagine)

(6) Presa jack USB

Indice

Pagina

Prima dell'utilizzo	3
Verifica del contenuto dell'imballo.....	8
Nomi e funzioni delle singole parti	8
Installazione	12
Operazioni di base	13
Regolazioni e funzioni.....	17
Collegamento ai morsetti di segnale video	22
Collegamento al morsetto del segnale di RGB.....	22
Collegamento all'USB.....	25
Collegamento al morsetto del segnale di COMANDO (CONTROL)	26
Esempio di impostazione del sistema.....	31
Pulizia del filtro dell'aria	31
Lampada	32
Tabella messaggi	32
Manutenzione	33
Dati caratteristici	34
Garanzia ed assistenza tecnica	35

Prima dell'utilizzo

<Prima dell'utilizzo>

Simboli Nel presente manuale di istruzioni e sui prodotti stessi sono utilizzati diversi simboli atti a garantire un corretto utilizzo, evitare rischi per l'utente e per le altre persone, nonché evitare danni alla proprietà. I significati di questi simboli sono qui di seguito riportati. E' importante che leggate attentamente le descrizioni e ne comprendiate totalmente il significato.



Avvertenza

Questo simbolo riporta un tipo di informazione da non ignorare per evitare rischi di lesioni personali o anche morte, per maneggiamento errato dell'apparecchio.



Attenzione

Questo simbolo riporta un tipo di informazione da non ignorare per evitare eventuali rischi di lesioni personali o danni fisici per maneggiamento errato dell'apparecchio.

Simboli tipici



Questo simbolo indica un'avvertenza aggiuntiva (note di attenzione incluse). Viene riportata un'illustrazione atta a chiarirne il contenuto (l'illustrazione riportata sulla sinistra indica pericolo di scossa elettrica).



Questo simbolo indica un divieto. Il contenuto sarà chiaramente indicato nell'ambito di un'illustrazione o nelle sue vicinanze (il simbolo riportato sulla sinistra indica divieto di smontaggio).



Questo simbolo indica un obbligo. Il contenuto sarà chiaramente indicato nell'ambito di un'illustrazione o nelle sue vicinanze (il simbolo riportato sulla sinistra indica che la spina deve essere scollegata dalla presa di corrente).

Avvertenze

■ In caso di problemi

- Continuare ad utilizzare l'apparecchio, anche nel caso in cui si percepisse la presenza di fumo o di strani odori, potrebbe essere causa di incendi o scosse elettriche. In questi casi, disattivare immediatamente il pulsante di alimentazione elettrica, quindi scollegare la spina dalla presa di corrente. Una volta certi che non vi sia più presenza di fumo o strani odori, contattare il vostro rivenditore, richiedendo di riparare l'apparecchio. Non tentare mai di provvedere voi stessi alla riparazione, poiché tale azione potrebbe essere fonte di pericoli.



Scollegare la spina dalla presa di corrente

- Non utilizzare il proiettore nel caso in cui non vi siano immagini o suoni oppure nel caso in cui l'audio sia distorto. Continuare ad utilizzare l'apparecchio in queste condizioni, potrebbe causare incendi o scossa elettrica. In questo caso, disattivare immediatamente il pulsante di alimentazione elettrica, quindi scollegare la spina dalla presa di corrente e contattare il vostro rivenditore.
- Nel caso in cui vi sia una penetrazione di acqua nel proiettore, disattivare immediatamente il pulsante di alimentazione elettrica, quindi scollegare la spina dalla presa di corrente e contattare il vostro rivenditore.

■ Non installare il proiettore su superfici instabili

- Non installare il proiettore su superfici instabili tipo supporto traballanti o inclinati onde evitare che il proiettore possa cadere, causando lesioni.



■ Non aprire la parte esterna dell'apparecchiatura

- Non aprire mai la parte esterna dell'apparecchiatura. L'alta tensione presente all'interno dell'apparecchiatura può essere



Non smontare. Pericolo di scosse elettriche

causa di scossa elettrica. Contattare il vostro rivenditore affinché possa effettuare un'ispezione interna, eseguire le regolazioni e le riparazioni.

■ Non effettuare modifiche

Non effettuare modifiche al proiettore poiché questo potrebbe essere causa di incendi o scossa elettrica.



Non smontare.

■ Non utilizzare nella stanza da bagno

Non utilizzare il proiettore nella stanza da bagno, poiché questo potrebbe essere causa di incendi o scossa elettrica.



Non utilizzare in prossimità di acqua.

■ Non inserire corpi estranei

- Non inserire oggetti metallici nelle aperture per la ventilazione, ecc. del proiettore e non lasciar cadere tali oggetti all'interno, poiché questo potrebbe essere causa di incendi o scossa elettrica.



- Nel caso in cui un oggetto entri nel proiettore, disattivare immediatamente l'interruttore di alimentazione, scollegare la spina dalla presa di corrente e contattare il vostro rivenditore.



Scollegare la spina dalla presa di corrente.

Continuando ad utilizzare

l'apparecchio in queste condizioni, potrebbe essere causa di incendi o scossa elettrica. Porre particolare attenzione nelle abitazioni con presenza di bambini.

■ Non osservare attraverso l'obiettivo quando la lampada è accesa.



Non guardare mai attraverso l'obiettivo quando la lampada è accesa. La potente luce potrebbe negativamente influenzare la visione. Porre particolare attenzione nelle abitazioni con presenza di bambini.

■ Evitare urti o impatti sul proiettore

Nel caso in cui il proiettore dovesse cadere, riportando danni alla parte esterna, disattivare immediatamente l'interruttore di alimentazione, scollegare la spina dalla presa di corrente e contattare il vostro rivenditore.





Scollegare la spina dalla presa di corrente.

Continuando ad utilizzare l'apparecchio in queste condizioni, potrebbe essere causa di incendi o scossa elettrica.




Avvertenze

- **Non posizionare il proiettore in un contenitore con liquido. Non appoggiare vasi di fiori, fioriere, contenitori, cosmetici, liquidi tipo acqua, ecc. sulla parte superiore del proiettore.** Eventuali versamenti potrebbero essere causa di incendi o scossa elettrica. 


- **Utilizzare solamente l'alimentazione elettrica indicata. Utilizzare solamente l'alimentazione elettrica indicata.** L'uso di qualsiasi altra alimentazione elettrica potrebbe essere causa di incendi o scossa elettrica. 

- **Maneggiare accuratamente il cavo di alimentazione**

- **Non danneggiare, tagliare, maneggiare o torcere fortemente il cavo di alimentazione.** Appoggiare oggetti pesanti sul cavo di alimentazione, riscaldarlo o tirarlo eccessivamente può essere causa di guasti, incendi o scossa elettrica. 

- Tirare il cavo di alimentazione.
- Appoggiare oggetti pesanti sul cavo di alimentazione.
- Danneggiare il cavo.
- Avvicinarlo a riscaldatori.

- **Non posizionare il cavo sotto il proiettore.** Questo potrebbe danneggiare il cavo ed essere causa di incendi o scossa elettrica. Inoltre, non posizionare rivestimenti, coperchi, ecc. sopra il cavo di alimentazione poiché questo potrebbe causare l'involontario posizionamento di oggetti pesanti sul cavo di alimentazione nascosto.

- Nel caso in cui il cavo di alimentazione sia danneggiato (esposto o con fili interni rotti, ecc.), contattare il vostro rivenditore richiedendo la sostituzione; in caso contrario potrebbero esservi rischi di incendi o scossa elettrica. 

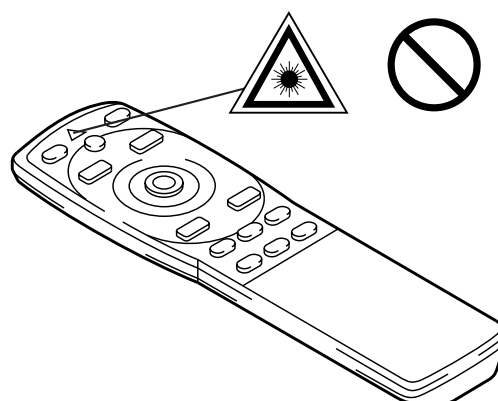
- Verificare che non vi sia presenza di polvere, ecc. sulla presa di alimentazione ed inserire una lama di coltello per verificare che non vi siano allentamenti.

- **Evitare che il raggio laser entri nell'obiettivo**

- Questo telecomando è provvisto di un puntatore laser che emette un raggio laser dall'uscita laser. Non guardare direttamente nell'uscita del raggio laser e non indirizzare il raggio laser verso altre persone.

Nel caso in cui il fascio laser penetri negli occhi, la vista può deteriorarsi. Prestare particolare attenzione nel caso in cui siano presenti dei bambini.

- **Con la lampada accesa la temperatura circostante aumenta notevolmente e pertanto non bisogna lasciare oggetti davanti all'obiettivo.** 





Attenzione

■ Non sedersi o appoggiare oggetti pesanti sul proiettore.

● Non sedersi sul proiettore

Questo potrebbe arrecare ribaltamenti, causa di danni o lesioni personali.

Porre particolare attenzione nelle abitazioni con presenza di bambini.



● Non appoggiare oggetti pesanti sul proiettore

L'appoggio di oggetti pesanti sul proiettore potrebbe causare una perdita di equilibrio o una caduta con conseguenti lesioni personali.

■ Non bloccare le aperture di ventilazione. Non bloccare le aperture di ventilazione del proiettore.

Il bloccaggio delle aperture di ventilazione potrebbe provocare un surriscaldamento interno con conseguente rischio di incendio. Durante l'utilizzo, non appoggiare il proiettore lateralmente e non posizionarlo in un luogo a spazio ridotto, con scarsa ventilazione. Non posizionare il proiettore su tappeti o biancheria da letto e non coprirlo con tovaglie, ecc. Inoltre, durante l'installazione del proiettore, verificare che le aperture per la ventilazione siano posizionate ad almeno 30 cm dalla parete.



■ Cura e manutenzione

Ai fini della sicurezza, prima di dare avvio alle operazioni di cura e manutenzione del proiettore, scollegare la spina dalla presa elettrica.



Scollegare la spina dalla presa di corrente.

■ Utilizzo delle batterie

● Utilizzare solamente le batterie specificate.

Non mischiare batterie vecchie e nuove poiché questo potrebbe essere causa di incendi o lesioni personali dovute a fenditure o a perdite dalle batterie.



● Verificare che i morsetti positivo e negativo siano correttamente allineati durante il caricamento delle batterie.

Un eventuale caricamento errato potrebbe essere causa di lesioni personali o contaminazione dell'ambiente circostante dovute a cricature o perdite dalle batterie.



■ Pulire la parte interna del proiettore almeno una volta ogni due anni.

Richiedete al vostro rivenditore di pulire la parte interna del proiettore ogni due anni circa. Accumuli di polvere all'interno del proiettore, dovuti a mancata pulizia per un lungo periodo, possono essere causa di incendi o malfunzionamenti. La pulizia risulta più efficace se eseguita prima dei periodi umidi tipo le stagioni piovose, ecc. Richiedete al vostro rivenditore maggiori dettagli circa la pulizia interna del proiettore.



■ Evitare di eseguire l'installazione in luoghi umidi o polverosi.

● Non installate il proiettore in luoghi umidi o polverosi.

Questo potrebbe causare incendi o scosse elettriche.



● Evitare di eseguire l'installazione in prossimità di cucine, umidificatori o altri luoghi in cui vi sia presenza di fumo oleoso o di umidità. Questo potrebbe causare incendi o scosse elettriche.

■ Utilizzare i freni della rotella girevole.

Durante l'installazione del proiettore su un supporto provvisto di rotelle girevoli, utilizzare i freni di tali rotelle onde evitare che il supporto si sposti o si ribalti, causando lesioni personali.



■ Non maneggiare il cavo di alimentazione in modo grossolano.

● Tenere il cavo di alimentazione lontano da riscaldatori poiché il calore potrebbe fondere il cavo di alimentazione, causando incendi o scosse elettriche.

● Non toccare il cavo di alimentazione con mani umide poiché questo potrebbe essere causa di scosse elettriche.



● Non tirare il cavo di alimentazione per scollegare la spina di corrente. Questo potrebbe danneggiare il cavo di alimentazione,



Attenzione

causando incendi o scosse elettriche. Per scollegare, afferrare sempre la spina.

■ Nel caso in cui il proiettore non venga utilizzato per un lungo periodo.

Ai fini della sicurezza, nel caso in cui il proiettore non venga utilizzato per un lungo periodo per motivi di viaggio, ecc., scollegare sempre la spina dalla presa di corrente. Inoltre, chiudere l'obiettivo in modo tale da evitare che la sua superficie si possa graffiare.



Scollegare la spina dalla presa di corrente.

■ Spostamento del proiettore.

- Quando si sposta il proiettore, accertarsi di avere inserito il tappo dell'obiettivo, di avere scollegato la spina di alimentazione dalla relativa presa e di avere staccato tutti i collegamenti esterni. L'omissione di questi accorgimenti può danneggiare il cavo di alimentazione e provocare incendi o scosse elettriche. Non sottoporre il proiettore a colpi o a urti, poiché questi possono provocare errori di funzionamento.



Scollegare la spina dalla presa di corrente.

- Spostando il proiettore all'esterno, proteggerlo dall'umidità dovuta a pioggia, ecc. Nel caso in cui il proiettore s'umidisca, prima di riutilizzarlo, asciugarlo completamente. L'utilizzo del proiettore umido potrebbe essere causa di incendi o scosse elettriche.



[Note di attenzione generali]

■ Evitare luoghi eccessivamente caldi.

Non esporre il proiettore alla luce solare diretta o in prossimità di oggetti caldi tipo forni, ecc., poiché il calore potrebbe influire negativamente sulla parte esterna dell'apparecchiatura e sulle altre parti.



■ Volume audio.

Impostare il volume ad un livello adeguato, in modo tale da non infastidire le altre persone. E' inoltre consigliabile mantenere un livello di volume basso e chiudere le finestre durante la notte, in modo tale da proteggere l'ambiente circostante.

■ Cura dell'obiettivo.

Utilizzare panni adatti alla pulizia dell'obiettivo disponibili in commercio (utilizzati per pulire macchine fotografiche, occhiali, ecc.). Porre attenzione a non graffiare l'obiettivo con oggetti pesanti.



■ Cura della parte esterna dell'apparecchiatura

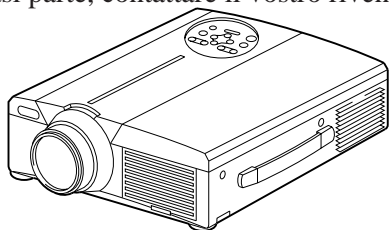
- Essendo la parte esterna dell'apparecchio in plastica, possono verificarsi decolorazioni o pelature di vernice nel caso in cui questa venga strofinata con solventi tipo benzina, diluenti, ecc.
- Prima di utilizzare agenti di pulitura chimici, leggere le istruzioni ed attenersi a quanto in esse riportato.
- Non spruzzare sostanze volatili tipo insetticidi, sulla parte esterna dell'apparecchio. Inoltre, non lasciare l'apparecchio a stretto contatto, per lungo tempo, con prodotti in gomma o vinile poiché questo potrebbe provocare decolorazioni, pelature di vernice, ecc.
- Utilizzare un panno morbido per pulire la parte esterna dell'apparecchio ed il quadro comandi. In caso questi siano eccessivamente unti, diluire un detergente neutro in acqua, inumidire e strizzare il panno, quindi asciugare con un panno asciutto. Non applicare detergenti non diluiti direttamente sul proiettore.

■ Utilizzo prolungato.

Nel caso in cui il proiettore venga utilizzato per un periodo prolungato, fermarsi periodicamente in modo tale da far riposare gli occhi ed evitare un affaticamento oculare.

Verifica del contenuto dell'imbballaggio

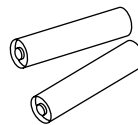
Verificare che tutti i componenti qui di seguito indicati siano inclusi nella confezione. In caso di mancanza di qualsiasi parte, contattare il vostro rivenditore.



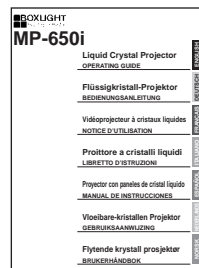
Unità del proiettore



Telecomando



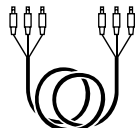
Batterie del telecomando



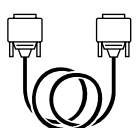
Guida per l'utente
(il presente documento)



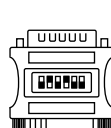
Cavo di alimentazione
110V-US
Europa



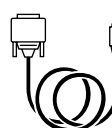
Cavo video/audio
a 3 conduttori.



Cavo RGB
(M/M 15-15 pin)



Adattatore Mac con
DIP switch
(interruttore a
posizioni multiple).



3 Cavi mouse

Nomi e funzioni delle singole parti

Unità principale

Tasto ZOOM.

Utilizzato per regolare la dimensione dell'immagine (Far riferimento alla pagina 13.)

Tasto MUTE (esclusione audio)

Questo tasto permette di attivare e disattivare l'audio. Premere una volta per disattivare l'audio, quindi premere nuovamente per riattivarlo.

Tasto STANDBY / ON (Attesa / Attivazione)

Premere questo tasto per attivare e disattivare l'alimentazione. Quando disattivata, il proiettore si rimarrà in stato di attesa. Per maggiori dettagli al riguardo, far riferimento alle pagine 13 - 14).

Indicatore LAMPADA

S'illumina o lampeggia quando la temperatura interna del proiettore aumenta o quando la lampada non si accende. Per maggiori dettagli in merito, far riferimento alla pagina 33.

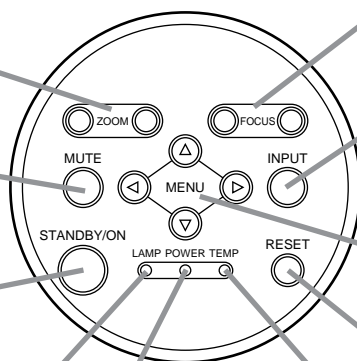
Indicatore POWER

Questo indicatore si illumina o lampeggia durante la fase di attesa o di funzionamento. Per maggiori dettagli al riguardo, far riferimento alla pagina 33.

Ricevitore a infrarossi del telecomando

Obiettivo

Coperchio obiettivo



Tasto FOCUS (Messa a fuoco)

Utilizzato per regolare la messa a fuoco dell'immagine sullo schermo (Far riferimento alla pagina 13.).

Tasto INPUT (Ingresso)

Premere questo tasto per commutare l'ingresso. Ogni volta che il tasto viene premuto, l'ingresso varia secondo la sequenza qui di seguito riportata.



Tasto MENU

Visualizza il menu delle immagini. Per maggiori dettagli al riguardo, far riferimento alle pagine 17-21.

Tasto RESET (Inizializzazione)

Utilizzato per ripristinare le impostazioni iniziali. Per maggiori dettagli al riguardo, far riferimento alla pagina 10.17.25.26.

Indicatore TEMP (Temperatura)

Lampeggia in caso di malfunzionamento del ventilatore. Per maggiori informazioni in merito, far riferimento alla pagina 33.

Altoparlante

Altoparlante

Ventola di raffreddamento
(lato uscita aria)

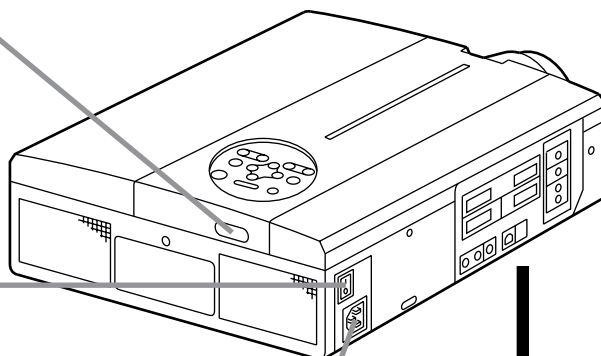
Maniglia per il trasporto

Ventola di raffreddamento
(lato immissione aria)

- Utilizzare il telecomando di fronte al fotorecettore del telecomando ad una distanza pari a circa 5 m o inferiore ed un angolo pari a 30 gradi verso la parte sinistra o destra del centro.

Nomi e funzioni delle singole parti (segue)

Ricevitore a infrarossi del telecomando

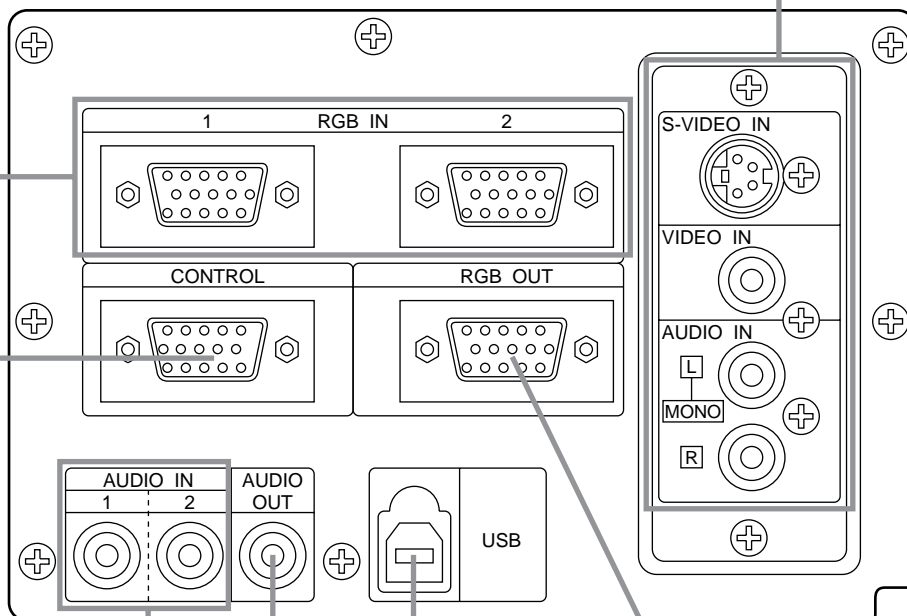


Interruttore di alimentazione principale
 Utilizzato per attivare e disattivare l'alimentazione.
 ○ : DISATTIVAZIONE
 | : ATTIVAZIONE

Pres a jack dell'ingresso in C.A.
 Utilizzata per collegare il cavo di alimentazione ausiliario.

⚠ Attenzione Collegamento alla presa AC IN (ingresso in c.a.)
 Accertarsi che la spina del cavo di alimentazione fornito in dotazione sia inserita a fondo nella presa a jack d'ingresso in c.a. (AC IN). Se la spina non è inserita completamente si corre il rischio di incendio o scassa elettrica.

Pres a jack dell'ingresso VIDEO
 Pres a jack INGRESSO VIDEO S.
 Miniconnettore DIN a 4 pin
 Pres a jack INGRESSO VIDEO
 Connettore RCA
 Pres a jack INGRESSO AUDIO S/D



Pres a jack INGRESSO RGB
 Accoppiamento Sub D a 15 pin (1/2)

Pres a jack di COMANDO (CONTROL)
 Accoppiamento Sub D a 15 pin

Pres a jack AUDIO(RGB)
 Mini presa jack per STEREO

Pres a jack USB
 Il cursore del mouse può essere comandato utilizzando il telecomando, dopo il collegamento alla porta esterna del computer riservata al mouse.

Pres a jack USCITA RGB
 Accoppiamento Sub D a 15 pin

Pres a jack USCITA AUDIO
 Mini presa jack per STEREO

Nomi e funzioni delle singole parti (segue)

Trasmettitore del telecomando

VIDEO, Tasto RGB

Premere questo tasto per commutare l'ingresso (Far riferimento alle pagine 13, 19).

Tasto STANDBY / ON (Attesa / Attivazione)

Premere questo tasto per attivare e disattivare l'alimentazione. Premere per 1 secondo o più per disattivare l'alimentazione (il proiettore entra in modalità di attesa di funzionamento). (Far riferimento alle pagine 13 - 14).

* CUSCINETTO DEL DISCO / Tasto DISK PAD/PULSANTE SINISTRO DEL MOUSE *4

(1) Used to select menu items when the menu screen is displayed (refer to page 16-18).

(2) Nel caso in cui la schermata menu non fosse visualizzata, la funzione di commutazione orientamento e la funzione clic sinistra del mouse saranno abilitate.

*1 (3) Una volta premuto il tasto POSITION (POSIZIONE ATTIVAZIONE), la schermata potrà essere spostata verso l'alto, verso il basso, a sinistra ed a destra.

* Tasto MENU

Utilizzato per attivare e disattivare la visualizzazione della schermata MENU (Far riferimento alle pagine 17 - 21).

* Tasto MAGNIFY (INGRANDIMENTO)

Utilizzato per ingrandire l'immagine visualizzata. (Far riferimento alle pagine 16).

* Tasto P in P *2

Utilizzato per attivare e disattivare la funzione P in P (Picture in Picture) (Immagine nell'immagine): visualizza le immagini del segnale del video secondario nel segnale RGB.

Ogni qualvolta si preme questo tasto, l'operazione varierà secondo la seguente sequenza:

- (1) Riduzione schermo secondario →
- (2) Ingrandimento schermo secondario → (3) DISABILITATA

(1) - (3)

(Far riferimento alle pagine 20).

Tasto BLANK (Soppressione immagine)

Utilizzato per attivare e disattivare la funzione di soppressione immagine. (Far riferimento alla pagina 20).

Tasto FOCUS (Messa a fuoco)

Utilizzato per regolare la messa a fuoco dell'immagine sullo schermo (Far riferimento alla pagina 13).

Tasto LASER

Attiva e disattiva il raggio laser. Far riferimento alla pagina 11 riguardante l'utilizzo ed osservare i segnali di attenzione.

* Tasto POSITION

Premere Position (Posizione), quindi regolare la posizione dell'immagine mediante il Disk Pad del mouse (soltanto nel modo RGB).

(Far riferimento alle pagine 16).

* Tasto RESET / MOUSE RIGHT (Inizializzazione mouse/destra)

(1) A menu visualizzato, funziona come il tasto RESET (Inizializzazione). Premere questo tasto per ripristinare le impostazioni iniziali.

(2) Utilizzato per cliccare il tasto destro del mouse nei casi in cui il menu non sia visualizzato (far riferimento alle pagine 25-26).

*1 (3) Premendo questo tasto, dopo aver fatto scorrere lo schermo a POSIZIONE ATTIVAZIONE (POSITION), lo schermo ritornerà alla posizione originale.

* Tasto FREEZE (fermo immagine)

Utilizzato per attivare e disattivare la funzione di fermo immagine. (Far riferimento alle pagine 15).

Tasto VOLUME

Regola il volume audio. Premere [^] per aumentare il volume e [v] per ridurlo.

Quando non c'è ingresso di segnale video, il funzionamento non è possibile quando il segnale video in ingresso cade fuori dalla gamma di sincronizzazione.

* Tasto MUTE (Esclusione audio)

Attiva la funzione di silenziamento audio. (Premere di nuovo il tasto di riproduzione per disattivare la funzione.)

Tasto TIMER

Attiva/disattiva (on e off) il display all'ora impostata mediante il Timer nella schermata Menu.

Il timer non viene visualizzato quando non viene rilevato alcun segnale in ingresso, quando la sincronizzazione (SYNC) è fuori campo oppure durante la soppressione delle immagini o il fermo immagine.

Per ulteriori indicazioni sul metodo di impostazione del timer, fare riferimento alle pagine 21.

Tasto ZOOM

Utilizzato per regolare la dimensione dell'immagine (far riferimento alla pagina 13).

* Tasto AUTO (regolazione automatica dello schermo)

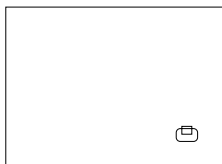
Utilizzato per la regolazione automatica*3

* Queste funzioni non sono operative quando sulla schermata iniziale vengono visualizzati i messaggi "NO INPUT IS DETECTED" ("ASSENZA INGRESSO") o "SYNC IS OUT OF RANGE" ("SINCRONIZZAZIONE FUORI CAMPO").

*1 Icona POSITION

Quando si preme il tasto POSITION (POSIZIONE), nell'angolo inferiore destro dello schermo compare l'icona di visualizzazione dello spostamento.

Mentre l'icona è visualizzata è possibile azionare POSITION (POSIZIONAMENTO).



*2 Funzione P in P.

Grazie alla funzione P in P, i segnali vengono immessi sia a RGB che a VIDEO. Questa funzione può essere attivata solamente nel caso in cui sia stato selezionato il segnale RGB. Non vi sarà alcuna visualizzazione, in caso di mancanza di segnale o nel caso in cui il segnale RGB non rientri nel campo di sincronizzazione.

Quando si utilizza la funzione P in P, automaticamente l'audio viene commutato su video. In P in P l'ingresso audio può essere commutato premendo i tasti VOL ^ e VOL v sul telecomando, visualizzando la barra dell'audio e spostando a sinistra ed a destra il CUSCINETTO DEL DISCO durante la visualizzazione.



*3 Funzione di autoregolazione

Il proiettore regola automaticamente 4 funzioni (POSIZ. VERT., POSIZ. ORIZZ., FASE ORIZZ., DIMENSIONE ORIZZ.).

Selezionando l'opzione AUTO (sposta il cursore, dalla posizione di funzionamento manuale, verso destra), il menu di conferma AUTO visualizzerà quanto segue.

*4 Metodo di funzionamento Disk Pad

- Spostare e selezionare inclinando Disk Pad nella direzione richiesta.
- Premere Disk Pad per realizzare la funzione del pulsante sinistro del mouse.
- Se si deve utilizzare un mouse, è necessario un cavo per mouse. (Consultare le pagine 26 e 27).

Nomi e funzioni delle singole parti (segue)

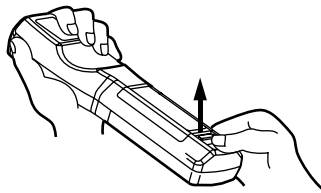
Attenzione

- La regolazione automatica può richiedere fino a 30 secondi.
- La funzione di autoregolazione potrebbe, in alcuni casi, non funzionare correttamente, a seconda del tipo di computer collegato e del segnale.
- Quando si visualizzano immagini a bassa risoluzione, accertarsi di averle ingrandite a tutto schermo.
- A seguito dell'autoregolazione, l'immagine potrebbe, in alcuni casi, scurirsi leggermente a causa della regolazione automatica del livello del segnale.
- La funzione di autoregolazione non può essere eseguita nel caso in cui la visualizzazione iniziale indichi "NO INPUT IS DETECTED" (Nessun ingresso rivelato) o "SYNC IS OUT OF RANGE" (Sincronizzazione fuori campo) durante le fasi di FREEZE (FERMO IMMAGINE) o MAGNIFY (INGRANDIMENTO).
- Quando vengono eseguite le operazioni seguenti, viene attivata la funzione di Regolazione automatica.
 1. Quando si cambia il tipo del segnale sorgente in entrata.
 2. Quando si preme il tasto di Regolazione automatica (AUTO).
- Durante la regolazione automatica, sullo schermo viene visualizzato il messaggio AUTO IN PROGRESS (REGOLAZIONE AUTOMATICA IN CORSO).
- Durante la regolazione automatica potrebbe esserci un'interruzione della visualizzazione a schermo, ma non si tratta di un difetto di funzionamento.
- Come segnali in entrata è possibile utilizzare solo RGB1 o RGB2.
- È possibile eseguire la Regolazione automatica anche tramite i tasti operativi dell'unità principale. Tenere premuto il tasto RESET e premere il tasto dell'interruttore di ingresso (INPUT).

Inserimento delle batterie. Inserimento delle batterie AA nel telecomando.

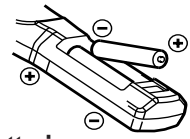
1 Togliere il coperchio della batteria.

Premere la protuberanza sollevando allo stesso tempo il coperchio della batteria.



2 Inserimento delle batterie.

Verificare che i poli positivo e negativo siano ben orientati.



3 Chiudere il coperchio della batteria.

⚠ Attenzione Precauzioni per l'utilizzo delle batterie

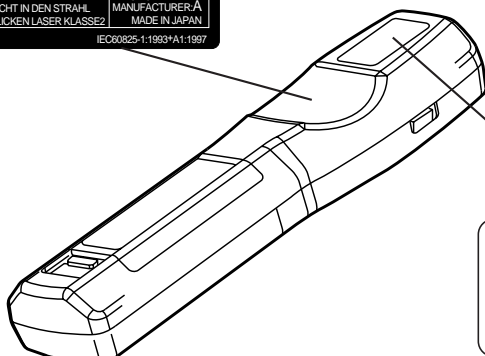
- Utilizzare solamente il tipo di batteria indicato per il proiettore. Inoltre, non mischiare batterie nuove e vecchie poiché questo potrebbe causare incrinature o perdite dalle batterie, con conseguente rischio di incendio o lesioni personali.
- Durante l'inserimento delle batterie, verificare che i poli positivo e negativo siano ben orientati, come indicato nel proiettore. Un orientamento errato potrebbe provocare l'incrinatura o perdite dalle batterie, con conseguente rischio di lesioni personali o inquinamento dell'ambiente circostante.

⚠ Attenzione Precauzioni per l'utilizzo del telecomando.

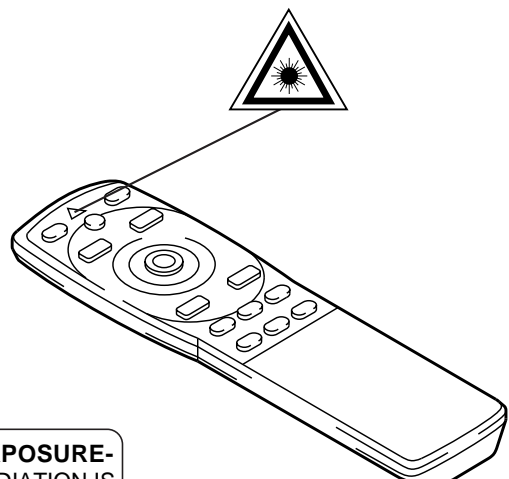
- Non far cadere né urtare il telecomando.
- Non bagnare il telecomando e non porlo su alcun oggetto umido. Questo potrebbe essere causa di malfunzionamenti.
- Nel caso in cui il telecomando non si utilizzi per un lungo periodo, togliere le batterie.
- Sostituire le batterie non appena il funzionamento del telecomando risulti difficoltoso.
- Non porre il telecomando in prossimità della ventola di raffreddamento del proiettore.
- In caso di malfunzionamento, non smontare il telecomando, bensì portarlo presso un centro assistenza.



Avvertenza Come dispositivo di puntamento si utilizza il puntatore laser presente sul telecomando. **Non guardare mai direttamente verso l'uscita del raggio laser e non indirizzare il raggio laser verso altre persone. Il raggio laser può causare problemi visivi.**



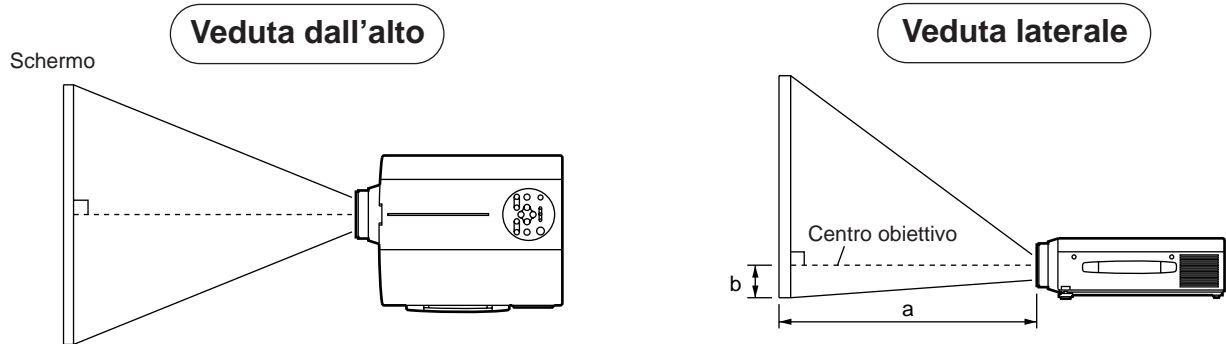
AVOID EXPOSURE-
LASER RADIATION IS
EMITTED FROM THIS
APERTURE



Installazione

Installazione di un proiettore a cristalli liquidi tipico e dello schermo

Utilizzare lo schema qui di seguito riportato per determinare la dimensione dello schermo e la distanza di proiezione.



Dimensione schermo (m)	a (m)		b (m)
	Minimo	Massimo	
1,0	1,4	1,9	0,03
1,5	2,2	2,9	0,04
2,0	2,9	3,8	0,06
2,5	3,7	4,9	0,07
3,0	4,5	5,9	0,09
3,8	5,6	7,2	0,11
5,0	7,4	9,8	0,15

a. Distanza dal proiettore a cristalli liquidi allo schermo
 b. Distanza dal centro dell'obiettivo alla parte inferiore dello schermo (a,b : +/-10%).

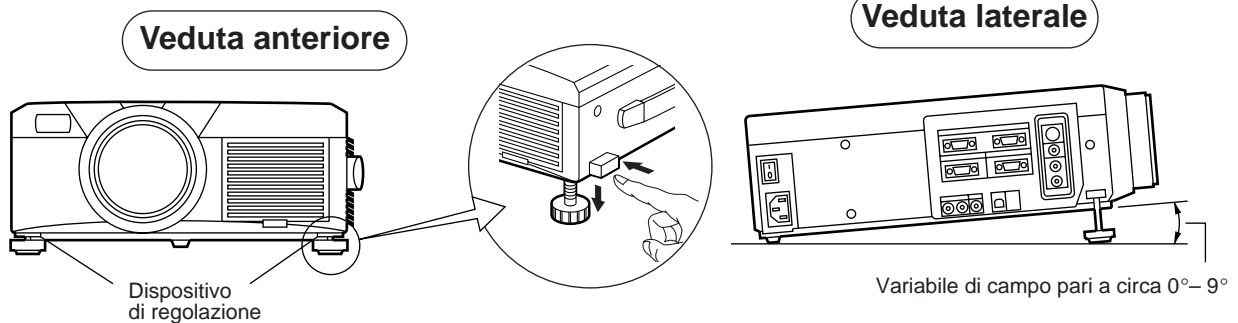
Attenzione

Il proiettore a cristalli liquidi dovrebbe normalmente essere utilizzato a livello (i piedini possono puntare verso l'alto). Posizionare il proiettore in senso trasversale; nel caso in cui l'obiettivo sia orientato verso l'alto o il basso si potrebbe verificare un incremento della temperatura interna, con conseguente rischio di malfunzionamento.

Le distanze di proiezione mostrate nello schema riportato sulla sinistra si riferiscono a schermi di dimensioni standard (1,024 x 768 punti).

Utilizzo dei dispositivi di regolazione

Utilizzare i dispositivi di regolazione sulla parte inferiore per regolare l'angolo di proiezione.



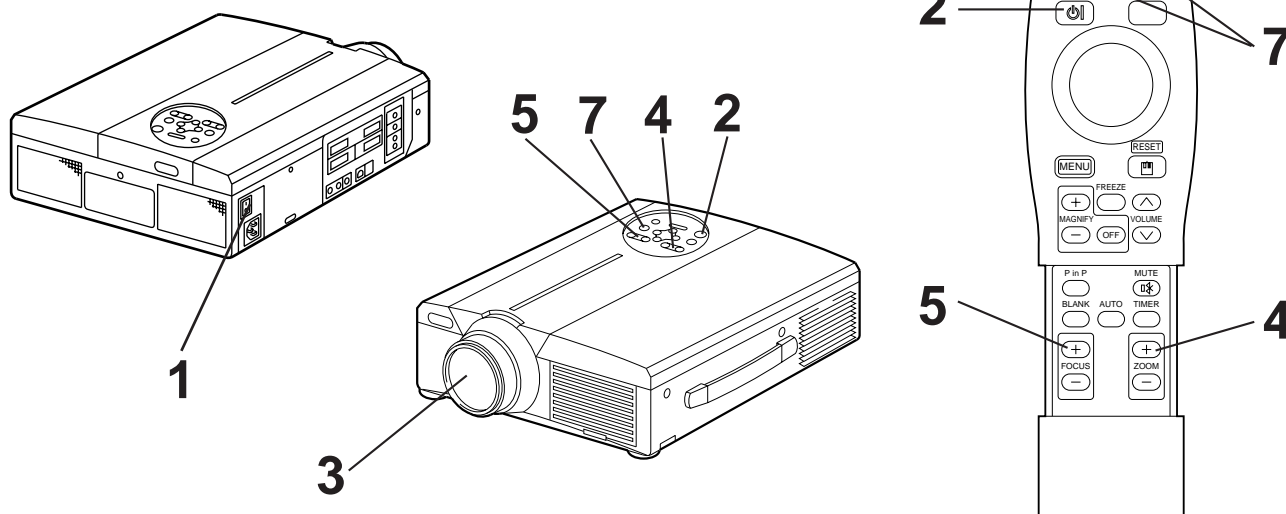
1. Sollevare il proiettore e rilasciare il blocco del dispositivo di regolazione.
2. Dopo aver regolato l'angolo di proiezione, bloccare fermamente i dispositivi di regolazione.
3. Ruotare i dispositivi di regolazione per ottenere una regolazione accurata.

Attenzione

- Non rilasciare i dispositivi di blocco finché il proiettore è bloccato, in caso contrario il proiettore potrebbe rovesciarsi o le dita rimanere intrappolate, con conseguenti lesioni personali.
- Non forzare la rotazione dei dispositivi di regolazione. Questo potrebbe danneggiarli o provocare il malfunzionamento del blocco.
- Bloccare fermamente i dispositivi di regolazione. Nel caso in cui sia difficile maneggiare il blocco, variare leggermente l'angolo e riprovare.

Operazioni di base

Per proiettare



1 Attivare l'interruttore dell'alimentazione elettrica principale del proiettore [I: ATTIVATO].

- L'indicatore POWER arancione si illuminerà.

2 Premere il tasto **STANDBY / ON (ATTESA / ATTIVAZIONE)**

- L'indicatore POWER lampeggerà prima in verde, quindi in verde chiaro.
- La luce lampeggiante verde indica la fase di riscaldamento.

3 Togliere il coperchio dell'obiettivo

4 Utilizzare il tasto **ZOOM** per regolare la dimensione dello schermo.

5 Utilizzare il tasto **FOCUS (messa a fuoco)** per regolare la messa a fuoco.

- (1) Premendo il tasto FOCUS (messa a fuoco) verrà visualizzata la schermata riportata sulla destra.
 - (2) Utilizzare il tasto FOCUS (messa a fuoco) per regolare la messa a fuoco, fino ad ottenimento di un'immagine nitida.
 - (3) Premendo qualsiasi altro tasto, il messaggio "Focus" (messa a fuoco) sparirà.
- (Quando non c'è segnale di ingresso, i caratteri di Focus non vengono visualizzati quando il segnale di ingresso cade fuori dalla gamma di sincronizzazione.)

+++FOCUS+++
(Messa a fuoco)

6 Attivare l'alimentazione alle apparecchiature collegate.

Per quanto riguarda il collegamento di altre apparecchiature, far riferimento alla pagina 31.

7 Premere il tasto **INPUT (INGRESSO)** del proiettore o il tasto **VIDEO/RGB** del telecomando per selezionare il segnale da proiettare sullo schermo.

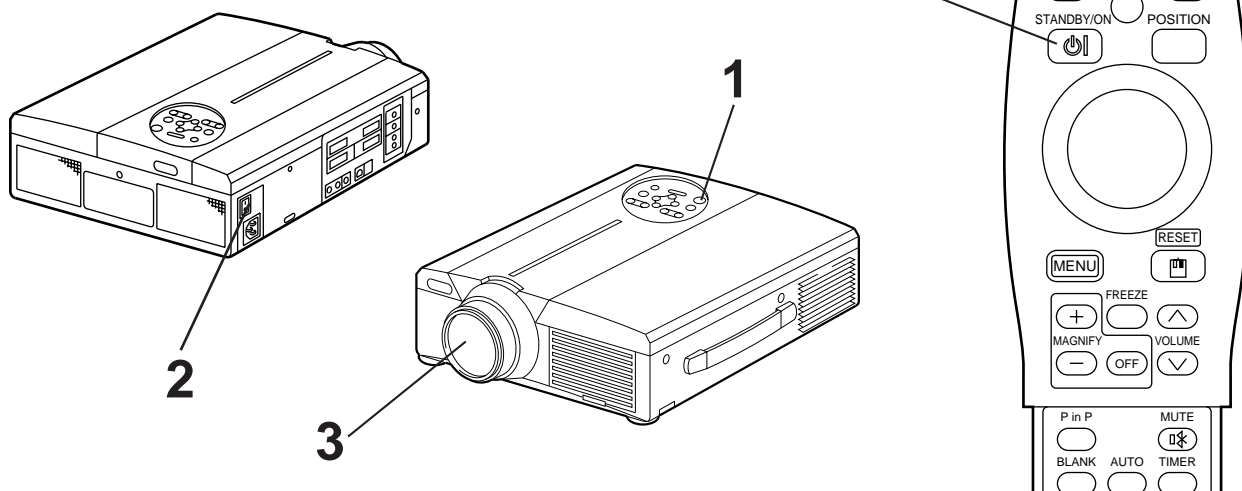
Esempio di visualizzazione sullo schermo

RGB 1

Il canale di ingresso del segnale selezionato verrà visualizzato sulla parte inferiore destra dello schermo.

Operazioni di base (segue)

Disattivazione dell'alimentazione



1 Premere il tasto **STANDBY/ON (ATTESA / ATTIVAZIONE)** per circa 1 sec.

- L'indicatore dell'accensione lampeggia con luce arancione e poi la spia si spegne. Circa 1 secondo dopo, l'indicatore si accende con luce arancione.
- Una volta disattivata l'alimentazione, la lampada si raffredderà per circa 1 minuto e l'alimentazione non potrà essere attivata nemmeno premendo il tasto **STANDBY/ON (ATTESA / ATTIVAZIONE)**.
- Lo stato di attesa non sarà attivato nel caso in cui il tasto **STANDBY/ON (ATTESA/ATTIVAZIONE)** sia premuto per un tempo troppo breve.

2 Ruotare l'interruttore dell'alimentazione elettrica principale del proiettore [○ : **ODISATTIVATO (OFF)**].

3 Collegare il coperchio dell'obiettivo

Attenzione Dopo aver premuto il tasto **STANDBY/ON (ATTESA/ATTIVAZIONE)**, la ventola continuerà a funzionare per circa 1 minuto. Non disattivare l'interruttore dell'alimentazione elettrica principale mentre la lampada è accesa, poiché questo ridurrebbe la durata della lampada.

Plug & Play

Il proiettore è compatibile con VESA DDC 1/2B. E' possibile attivare la funzione plug & play collegandolo ad un computer compatibile con VESA DC (Canale dati di visualizzazione).

La funzione plug & play è un sistema configurato con attrezzature periferiche includenti un computer ed uno schermo, oltre ad un sistema operativo.

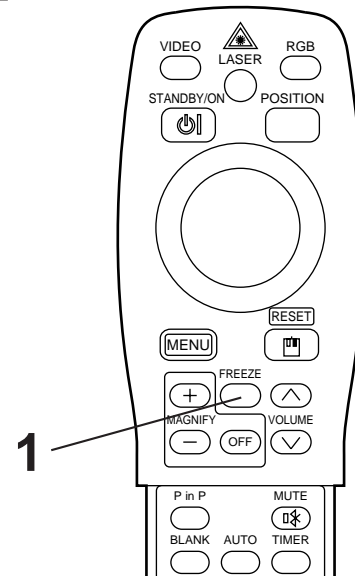
- Attenzione**
- Utilizzando la funzione plug & play, far uso del cavo RGB incluso nel proiettore. Utilizzando cavi diversi, i pin (12) – (15) risultano spesso non collegati (valido solamente per RGB1).
 - Questa periferica viene riconosciuta come monitor plug-and-play. Utilizzare i driver di Windows 95/98 per gli schermi standard.
 - Questa funzione potrebbe essere inattiva, a seconda del personal computer utilizzato.
 - Quando la caratteristica DDC non funziona su un personal computer con sistema operativo Windows 95/98, selezionare il tipo di schermo da Screen Priority (Priorità schermo). Si raccomanda di scegliere come tipo di schermo Super VGA 1024 x 768 (60-75 Hz). La caratteristica DDC non funziona quando il monitor è collegato a un Macintosh.

Operazioni di base (segue)

Funzione FREEZE (Fermo immagine)

Questa funzione viene utilizzata per fermare l'immagine visualizzata.

(far riferimento alla pagina 10)



1 Premere il tasto FREEZE (FERMO IMMAGINE)

- L'immagine visualizzata verrà fermata.
- Quando la funzione Freeze (Fermo immagine) è attivata, appare il segno [||] nell'angolo in basso a destra dello schermo.

Annullamento della funzione FREEZE (FERMO IMMAGINE)

1 Premere il tasto FREEZE (FERMO IMMAGINE)

- La funzione FREEZE (FERMO IMMAGINE) sarà annullata.
- A funzione FREEZE (FERMO IMMAGINE) disabilitata, il segno [►] sarà visualizzato per circa 3 secondi.

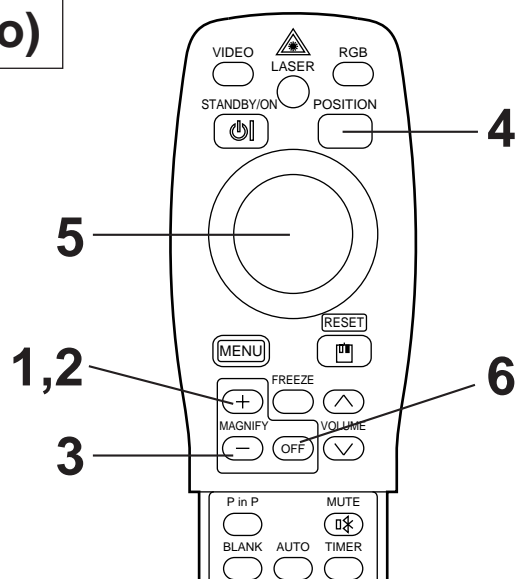
Attenzione

- Quando non c'è segnale di ingresso, la funzione Freeze (Fermo immagine) non è operativa quando il segnale di ingresso cade fuori dalla gamma di sincronizzazione.
- Premendo in sequenza il tasto FREEZE (FERMO IMMAGINE), tale funzione sarà attivata e disattivata.
- La funzione di FERMO IMMAGINE (FREEZE) sarà annullata premendo il tasto di selezione ingresso o nel caso in cui la modalità di visualizzazione del PC sia variata.
- Immettendo un segnale di fermo immagine a funzione FREEZE (FERMO IMMAGINE) abilitata, porre attenzione al fine di evitare che la funzione FREEZE (FERMO IMMAGINE) risulti disabilitata.
- La funzione FREEZE (FERMO IMMAGINE) viene annullata dopo le operazioni quali "FOCUS+,-"(MESSA A FUOCO), "TIMER", "P in P", "AUTO"(AUTOMATICO), "BLANK"(SOPPRESSIONE IMMAGINE, "VOLUME ^ v", "MENU", "MUTE"(ESCLUSIONE AUDIO) e "POSITION"(POSIZIONAMENTO).

Operazioni di base (segue)

Funzione MAGNIFY (Ingrandimento)

L'immagine può essere visualizzata con alcune parti ingrandite.
(far riferimento alla pagina 10)



1 Premere il tasto MAGNIFY + (INGRANDIMENTO+)

- La parte centrale dell'immagine viene visualizzata con un ingrandimento pari a circa 2x.

Variazione del rapporto di ingrandimento

2 Premere il tasto MAGNIFY + (INGRANDIMENTO+)

- Premendo questo tasto, l'immagine visualizzata avrà dimensioni maggiori.

3 Premere il tasto MAGNIFY - (INGRANDIMENTO -)

- Premendo questo tasto, l'immagine visualizzata avrà dimensioni minori.

Spostamento dell'area di visualizzazione

4 Premere il tasto POSITION (POSIZIONE ATTIVAZIONE)

5 Premere i tasti superiore, inferiore, sinistro e destro del CUSCINETTO DISCO.

- L'area di ingrandimento si sposterà in base al tasto premuto.

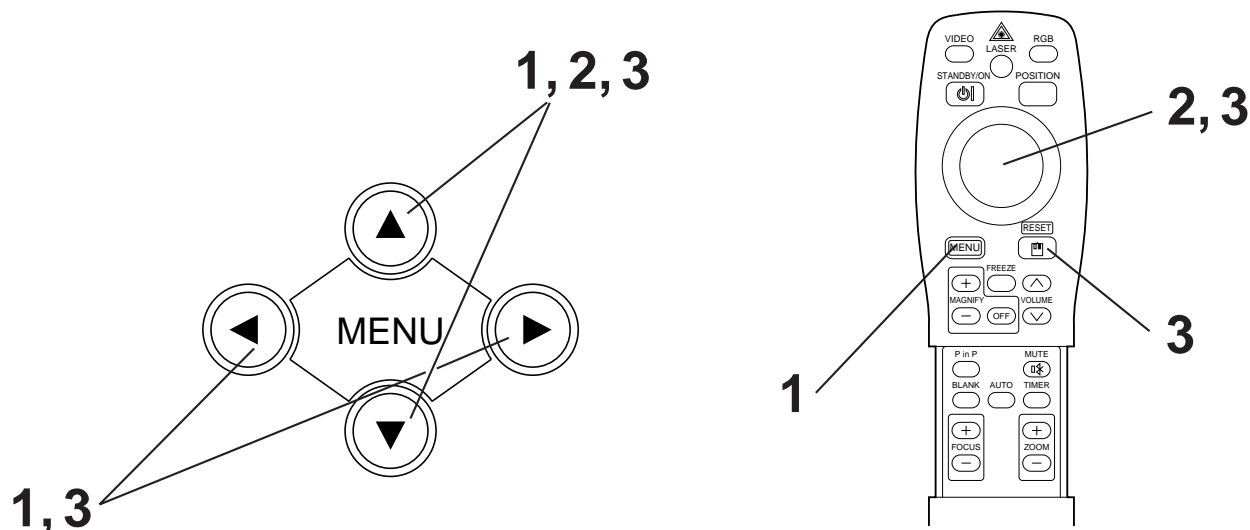
Ripristino della visualizzazione a dimensioni normali

6 Premere il tasto MAGNIFY OFF (INGRANDIMENTO DISATTIVATO)

Attenzione

- Quando non c'è ingresso di segnale video, la funzione di ingrandimento non è operativa quando l'ingresso di segnale video cade fuori dalla gamma di sincronizzazione.
- La funzione di ingrandimento potrà essere annullata premendo il tasto di selezione ingresso o variando la modalità di visualizzazione del PC utilizzato per la visualizzazione.
- La funzione Magnify (Ingrandimento) viene annullata dopo l'operazione "AUTO" (AUTOMATICO), FUNZIONE "KEystone" (DISTORSIONE TRAPEZOIDALE).

Regolazioni e funzioni



1 Premere i tasti MENU () sul proiettore o il tasto MENU sul telecomando.

- Verrà visualizzata la schermata del Menu. Per maggiori dettagli al riguardo, far riferimento alle pagine 18 - 21.

2 Premere i tasti MENU () del proiettore o il tasto DISK PAD (CUSCINETTO DISCO) sul telecomando per selezionare la voce di menu da regolare.

- La voce del menu selezionata viene visualizzata in arancione.

3 Regolare la voce selezionata del menu mediante i tasti MENU () del proiettore o mediante il tasto DISK-PAD (CUSCINETTO DISCO) del telecomando.

- La voce del menu selezionata viene visualizzata in arancione.

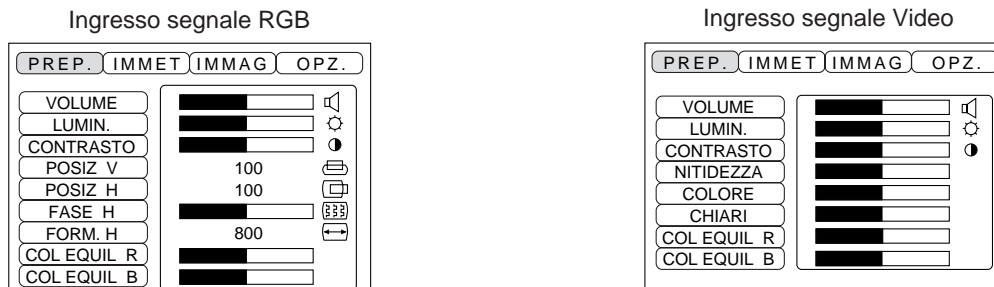
Ripristino delle impostazioni iniziali

- Selezionare la voce soggetta a regolazione da ripristinare in base alle impostazioni iniziali.
- Premere il tasto RESET (INIZIALIZZAZIONE).

Regolazioni e funzioni (segue)

IMPOSTAZIONE

Le immagini e le posizioni di visualizzazione possono essere regolate dal Menu SETUP (IMPOSTAZIONE).



Voce soggetta a regolazione	Descrizione della regolazione
VOLUME	Riduzioni di volume \longleftrightarrow Incrementi di volume
LUMINOSO (LUMINOSITA')	Più scura \longleftrightarrow Più chiara
CONTRASTO	Minor contrasto \longleftrightarrow Maggior contrasto
NITIDEZZA	Immagine più tenue \longleftrightarrow Immagine più nitida
COLORE	Minore \longleftrightarrow Colori più intensi
TONALITA' (TINT)	Più rossa \longleftrightarrow Maggiore
POSIZIONE VERT. (V.POSIT)	Sposta l'immagine verso l'alto e verso il basso
POSIZIONE ORIZZ.	Sposta l'immagine verso sinistra e verso destra
FASE ORIZZ.(H.PHASE)	Elimina la soppressione immagine
DIMENSIONE ORIZZ.(H.SIZE)	Regola la dimensione orizzontale dell'immagine.
BILANCIAMENTO COLORE R (BILANCIAMENTO COLORE Rosso)	Meno rosso \longleftrightarrow Più rosso
BILANCIAMENTO COLORE B (BILANCIAMENTO COLORE Blu)	Meno blu \longleftrightarrow Più blu

Utilizzo del Menu SETUP (Menu di IMPOSTAZIONE)

Spostare il cursore sulla voce da regolare e spostare il tasto MENU del proiettore o il tasto DISK PAD (CUSCINETTO DISCO) del telecomando per variare la lunghezza della barra di visualizzazione.

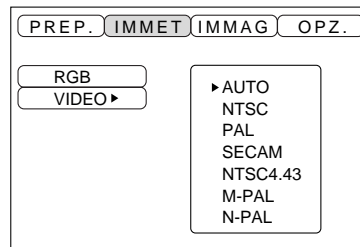
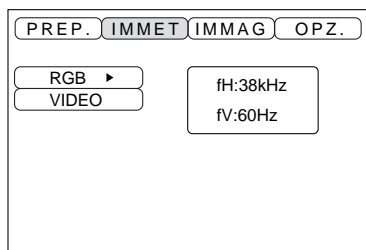
Attenzione

- Il menu non può essere visualizzato durante la visualizzazione della schermata iniziale ("No input is detected." (Nessun ingresso rivelato) o "Sync is out of range." (Sincronizzazione fuori campo)).
- Con l'ingresso di segnale video N-PAL, M-PAL o SECAM non è possibile regolare il colore.
- La tonalità, il colore e la nitidezza non possono essere regolate in caso di ingresso segnale RGB.
- POSIZ. VERT., POSIZ. ORIZZ., FASE ORIZZ. e DIMENSIONE ORIZZ. non possono essere regolate in caso di ingresso segnale video.
- La funzione FREEZE viene annullata dopo l'operazione "Menu".
- In caso di visualizzazione del menu, le operazioni di fermo immagine saranno disabilitate.

Regolazioni e funzioni (segue)

INGRESSO

Il menu INPUT (INGRESSO) viene utilizzato per selezionare la frequenza del segnale di sinc. del segnale RGB del monitor ed il segnale VIDEO.

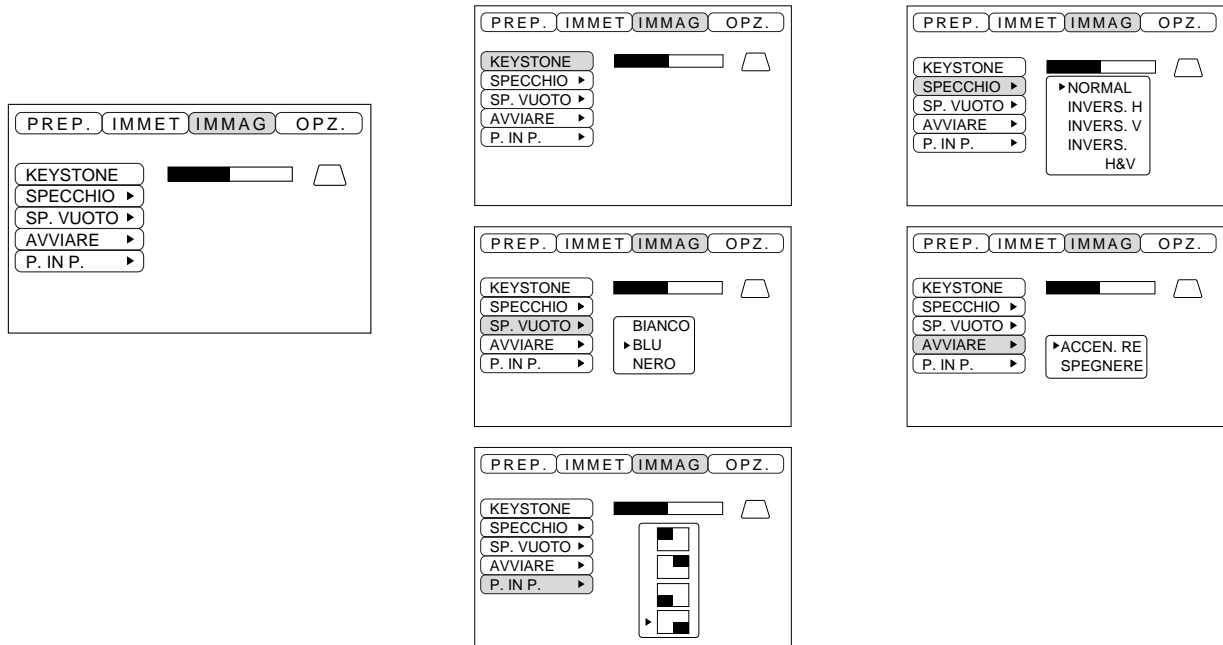


Voce soggetta a regolazione	Descrizione della regolazione
RGB	Visualizza i seguenti ingressi RGB (fH: frequenza di sincr. orizzontale) (fV: frequenza di sincr. verticale)
VIDEO	Imposta il sistema di segnali video. Nel caso in cui la schermata sia instabile (nessun colore) o ruoti, selezionare la modalità adatta al segnale di ingresso. Imposta la

Regolazioni e funzioni (segue)

IMMAGINE

E' possibile selezionare l'inversione dell'immagine di proiezione, ecc. dal Menu IMAGE (IMMAGINE).

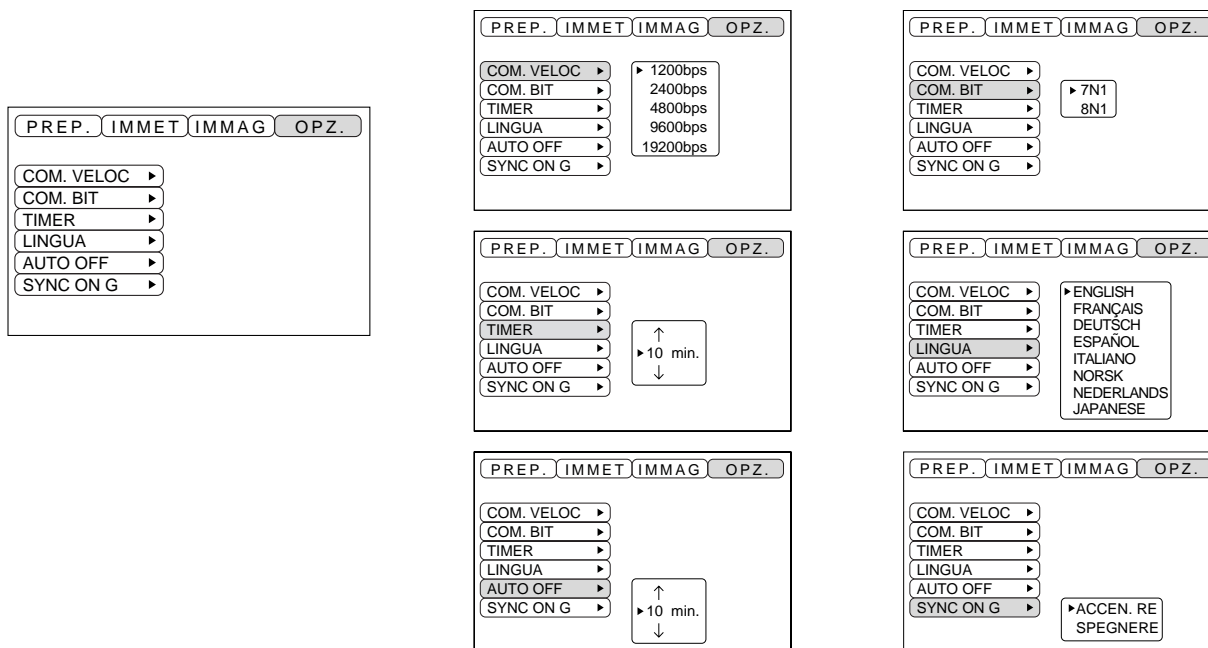


Voce soggetta a regolazione	Descrizione della regolazione
FUNZIONE "KEYSTONE" (DISTORSIONE TRAPEZOIDALE)	Riduzione distorsione trapezoidale Distorsione minima ↔ Riduzione distorsione trapezoidale Distorsione massima
SPECCHIO	Imposta l'inversione verticale o orizzontale dell'immagine proiettata. O: solamente inversione orizzontale V: solamente inversione verticale O&V: sia inversione orizzontale che verticale
BLANK (SOPPRESSIONE IMMAGINE)	Imposta il colore da utilizzare durante la soppressione immagine a SOPPRESSIONE IMMAGINE ATTIVATA (BLANK ON) o nel caso in cui non vi sia alcun segnale. La funzione di soppressione immagine viene attivata nel caso in cui non vi sia presenza di alcun segnale per circa 5 min.
AVVIAMENTO	Apri e chiude la schermata delle impostazioni iniziali durante l'ingresso di segnale all'avviamento. Quando viene annullato, il colore di sfondo si cambia in blu.
P in P	Seleziona la posizione di visualizzazione della schermata P in P.

Regolazioni e funzioni (segue)

OPZIONALE

Le funzioni di comunicazione, ecc. possono essere impostate dal Menu OPT.



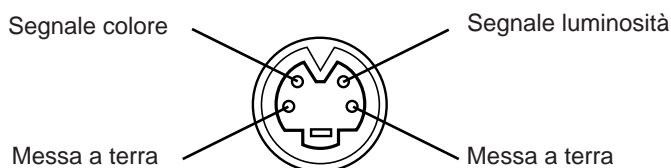
Voce soggetta a regolazione	Descrizione della regolazione
VELOCITA' DI COMUNICAZIONE	Imposta la velocità di comunicazione (5 fasi)
BIT DI COMUNICAZIONE	Imposta la configurazione dei dati di comunicazione. 7N1...7 bit dati, Nessuna parità, 1 stop bit (bit di stop). 8N1...8 bit dati, Nessuna parità, 1 stop bit (bit di stop).
TIMER	Imposta l'ora di visualizzazione del timer (0 - 99) min.
LINGUA	Seleziona la lingua della schermata del menu. (Inglese, Francese, Tedesco, Spagnolo, Italiano, Norvegese, Olandese, Giapponese).
DISATTIVAZIONE AUTOMATICA	Imposta il tempo a seguito del quale l'alimentazione sarà disattivata (stato di attesa) nel caso in cui non vi sia presenza di segnale di ingresso. Le impostazioni possono essere 1 - 99 min., 0 e Nessuna.
SINCRONIZZAZIONE ON G	Attiva e disattiva la funzione SYNC ON G.

Collegamento ai morsetti di segnale video

1. Segnali di ingresso

Segnale S-VIDEO		Segnale di luminosità 1,0V p-p, morsetto 75 W Segnale di colore 0,286V p-p (segnale di scatto), morsetto 75 W.
Segnale VIDEO		1,0V. p-p2, morsetto 75 W.
Segnale audio	Ingresso	220mV rms (valore quadratico medio), 20k W o inferiore (max. 3,0V p-p)
	Uscita	0 - 200mVrms, 1k W.

2. Prese jack dell'ingresso di segnale



Ingresso S-VIDEO (Mini DIN a 4-pin)

Attenzione

La sequenza di priorità delle prese dell'ingresso video è la seguente:

(1) Presa jack di ingresso S-VIDEO (2) Presa jack di ingresso della presa jack RCA

Quando vengono proiettati i segnali video, l'ingresso audio è inviato dal video alla presa jack di uscita audio (RGB/VIDEO).

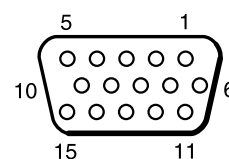
Collegamento al morsetto del segnale RGB

1. Segnali di ingresso

Segnale video		Analogica, 0,7V p-p, morsetto 75 W (polarità positiva)
Segnale di sincronizzazione orizzontale		livello TTL (polarità positiva/negativa)
Segnale di sincronizzazione verticale		Livello TTL (polarità positiva/negativa)
Segnale di sincronizzazione composta.		Livello TTL
Segnale audio	Ingresso	200MV rms (valore quadratico medio), 20k W o inferiore (max. 3,0V p-p).
	Uscita	0-200mVrms, 1k W

2. Prese jack dell'ingresso di segnale

1	Ingresso video (rosso)	9	N.C
2	Ingresso video (verde)	10	Messa a terra
3	Ingresso video (blu)	11	N.C
4	N.C	12	Presa jack DDC (Display data channel) ("Canale dati di visualizzazione")
5	N.C	13	Segnale di sincronizzazione orizzontale/Segnale di sincronizzazione composta.
6	Messa a terra (rossa)	14	Segnale di sincronizzazione verticale
7	Messa a terra (verde)	15	Presa jack DDC (Display data channel) ("Canale dati di visualizzazione")
8	Messa a terra (blu)		



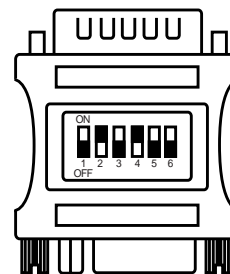
Presa alloggiamento Sub D a 15 pin

Collegamento al morsetto del segnale RGB (segue)

3. Esempio di segnali computer

Risoluzione H × V	fH (kHz)	fV (Hz)	Potenza nominale	Modalità segnale	Modalità di visualizzazione	Nota 1
640 × 400	24,8	56,4		NEC PC9800	Zoom abilitato	
640 × 350	37,9	85,1	VESA	VGA-1	Zoom abilitato	
640 × 400	37,9	85,1	VESA	VGA-2	Zoom abilitato	
720 × 400	37,9	85,0	VESA	TEXT	Zoom abilitato	
640 × 480	31,5	59,9	VESA	VGA-3	Zoom abilitato	
640 × 480	35,0	66,7		Mac13"mode	Zoom abilitato	SW 1 ON SW 2 ON
640 × 480	37,9	72,8	VESA	VGA-3(72Hz)	Zoom abilitato	
640 × 480	37,5	75,0	VESA	VGA-3(75Hz)	Zoom abilitato	
640 × 480	43,3	85,0	VESA	VGA-3(85Hz)	Zoom abilitato	
800 × 600	35,2	56,3	VESA	SVGA(56Hz)	Zoom abilitato	
800 × 600	37,9	60,3	VESA	SVGA(60Hz)	Zoom abilitato	
800 × 600	48,1	72,2	VESA	SVGA(72Hz)	Zoom abilitato	
800 × 600	46,9	75,0	VESA	SVGA(75Hz)	Zoom abilitato	
800 × 600	53,7	85,1	VESA	SVGA(85Hz)	Zoom abilitato	
832 × 624	49,7	74,5		Mac16"mode	Zoom abilitato	SW 2 ON SW 4 ON
1024 × 768	48,4	60,0	VESA	XGA(60Hz)		
1024 × 768	56,5	70,1	VESA	XGA(70Hz)		
1024 × 768	60,0	75,0	VESA	XGA(75Hz)		
1152 × 864	67,5	75,0	VESA	SXGA(75Hz)	Zoom disabilitato	
1280 × 960	60,0	60,0	VESA	SXGA(60Hz)	Zoom disabilitato	
1280 × 1024	64,0	60,0	VESA	SXGA(60Hz)	Zoom disabilitato	
1280 × 1024	80,0	75,0	VESA	SXGA(75Hz)	Zoom disabilitato	

Nota 1: Per la modalità di risoluzione, è necessario l'adattatore Mac.
 Il proiettore è compatibile con le modalità a 13 e 16 pollici.
 Modalità Mac 13" = interruttori 1 e 2 ABILITATI
 Modalità Mac 16" = interruttori 2 e 4 ABILITATI



Esempio di modalità a 16 pollici

Attenzione

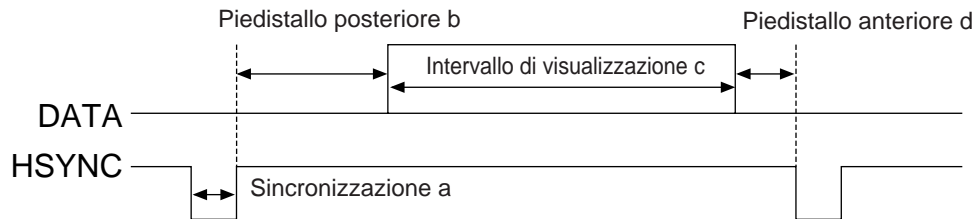
- Alcuni computer sono provvisti di modalità di schermo multipla. Alcuni di questi modelli non possono essere utilizzati con questo proiettore.
- Prima di collegare il proiettore ad un computer, verificare il tipo di presa jack, il livello di segnale, la determinazione dei tempi e di risoluzione.
- A seconda del segnale di ingresso, in alcuni casi non è possibile ottenere lo schermo a dimensioni standard.

Collegamento al morsetto del segnale RGB (segue)

4. Segnali dell'impostazione iniziale

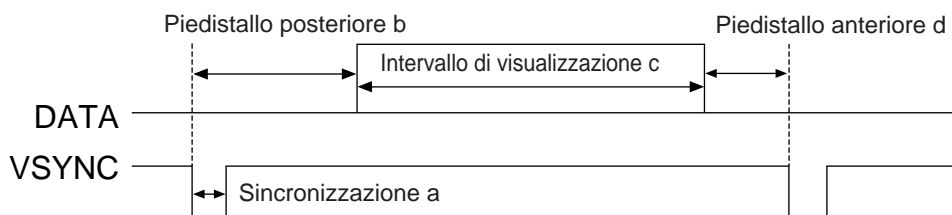
I seguenti segnali vengono utilizzati per le impostazioni iniziali.

La determinazione dei tempi di segnale, in alcuni modelli di computer potrebbe essere diversa. In questo caso, far riferimento alle pagine 17 e 18 e regolare la POSIZ. V. e la POSIZ. O. del menu.



Computer/Segnale	Determinazione dei tempi del segnale orizzontale (ms)			
	a	b	c	d
VGA-1(85Hz)	2,0	3,0	20,3	1,0
VGA-2(85Hz)	2,0	3,0	20,3	1,0
PC-9800	3,0	3,8	30,4	3,0
TEXT	2,0	3,0	20,3	1,0
VGA-3	3,8	1,9	25,4	0,6
Mac 13"mode	2,1	3,2	21,2	2,1
VGA-3(72Hz)	1,3	3,8	20,3	1,0
VGA-3(75Hz)	2,0	3,8	20,3	0,5
VGA-3(85Hz)	1,6	2,2	17,8	1,6
SVGA(56Hz)	2,0	3,6	22,2	0,7
SVGA(60Hz)	3,2	2,2	20,0	1,0

Computer/Segnale	Determinazione dei tempi del segnale orizzontale (ms)			
	a	b	c	d
SVGA (72Hz)	2,4	1,3	16,0	1,1
SVGA (75Hz)	1,6	3,2	16,2	0,3
SVGA (85Hz)	1,1	2,7	14,2	0,6
Mac 16"mode	1,1	3,9	14,5	0,6
XGA (60Hz)	2,1	2,5	15,8	0,4
XGA (70Hz)	1,8	1,9	13,7	0,3
XGA (75Hz)	1,2	2,2	13,0	0,2
SXGA (1152 X 864, 75Hz)	1,2	2,4	10,7	0,6
SXGA (1280 X 960, 60Hz)	1,0	2,9	11,9	0,9
SXGA (1280 X 1024, 60Hz)	1,0	2,9	11,9	0,9
SXGA (1280 X 1024, 75Hz)	1,1	1,8	9,5	0,1

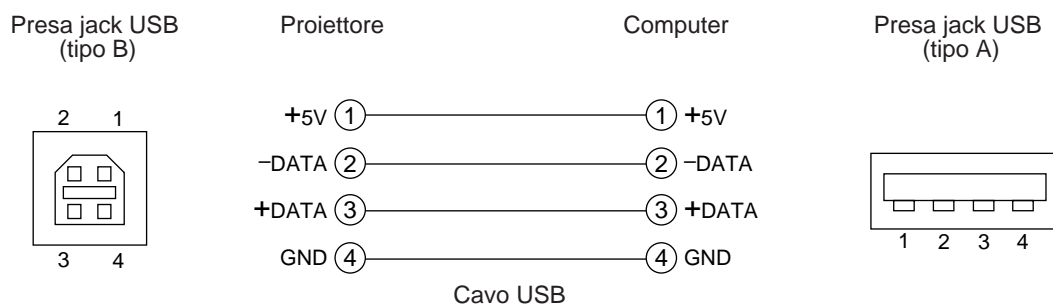


Computer/Segnale	Determinazione dei tempi del segnale verticale (linee)			
	a	b	c	d
VGA-1 (85Hz)	3	60	350	32
VGA-2 (85Hz)	3	41	400	1
PC-9800	8	25	400	7
TEXT	3	42	480	1
VGA-3	2	33	480	10
Mac 13"mode	3	39	480	3
VGA-3 (72Hz)	3	28	480	9
VGA-3 (75Hz)	3	16	480	1
VGA-3 (85Hz)	3	25	480	1
SVGA (56Hz)	2	22	600	1
SVGA (60Hz)	4	23	600	1

Computer/Segnale	Determinazione dei tempi del segnale verticale (linee)			
	a	b	c	d
SVGA (72Hz)	6	23	600	37
SVGA (75Hz)	3	21	600	1
SVGA (85Hz)	3	27	600	1
Mac 16"mode	3	39	624	1
XGA (60Hz)	6	29	768	3
XGA (70Hz)	6	29	768	3
XGA (75Hz)	3	28	768	1
SXGA (1152 X 864, 75Hz)	3	32	864	1
SXGA (1280 X 960, 60Hz)	3	36	960	1
SXGA (1280 X 1024, 60Hz)	3	38	1024	1
SXGA (1280 X 1024, 75Hz)	3	38	1024	1

Collegamento dell'USB

1. Utilizzare un cavo opzionale idoneo disponibile in commercio per collegare il proiettore e il computer.
Scollegare il cavo mouse dal proiettore.
2. Premere il tasto INPUT (INGRESSO) del proiettore o il RGB 1/2 del telecomando e selezionare l'ingresso a cui il computer deve essere collegato.
3. Dare avvio alle funzioni del mouse.
4. Per quanto riguarda il telecomando delle funzioni del mouse, far riferimento alle pagine 10.
5. La variazione della forza con cui viene premuto il tasto DISK PAD incide sulla variazione della velocità delle funzioni del mouse.



Attenzione

- Prima di eseguire le connessioni, leggere il manuale di istruzioni delle apparecchiature da collegare.
- Utilizzare, per il collegamento, il cavo USB opzionale.
- Valido con USB solamente nel caso in cui si utilizzi il mouse.
- Non utilizzare con nessun dispositivo che non sia il personal computer.
- Quando si utilizza Windows 95, occorre effettuare le impostazioni in modo che l'USB possa essere utilizzato con la versione OSR 2.1 o superiore. In determinati casi il funzionamento può risultare impossibile, a seconda del tipo o della versione del controller centrale.
- In caso di computer Notebook che utilizzino un dispositivo di puntamento incorporato, tipo track ball (sfera di controllo), il dispositivo di puntamento incorporato avrà la priorità anche nel caso che venga collegato un mouse ed il mouse può non essere selezionato. In questo caso, disabilitare il dispositivo di puntamento incorporato e cambiare l'impostazione BIOS (impostazione del sistema) in modo che si possa selezionare un mouse esterno. Dopo aver verificato le impostazioni di BIOS, eseguire le operazioni descritte ai punti 1 - 3 sopra riportati. Per quanto riguarda le impostazioni BIOS, far riferimento all'hardware del computer. Inoltre, alcuni computer potrebbero non disporre di un programma di utilità atto all'azionamento del mouse. Far riferimento al manuale dell'hardware del computer.

Collegamento al morsetto del segnale di comando

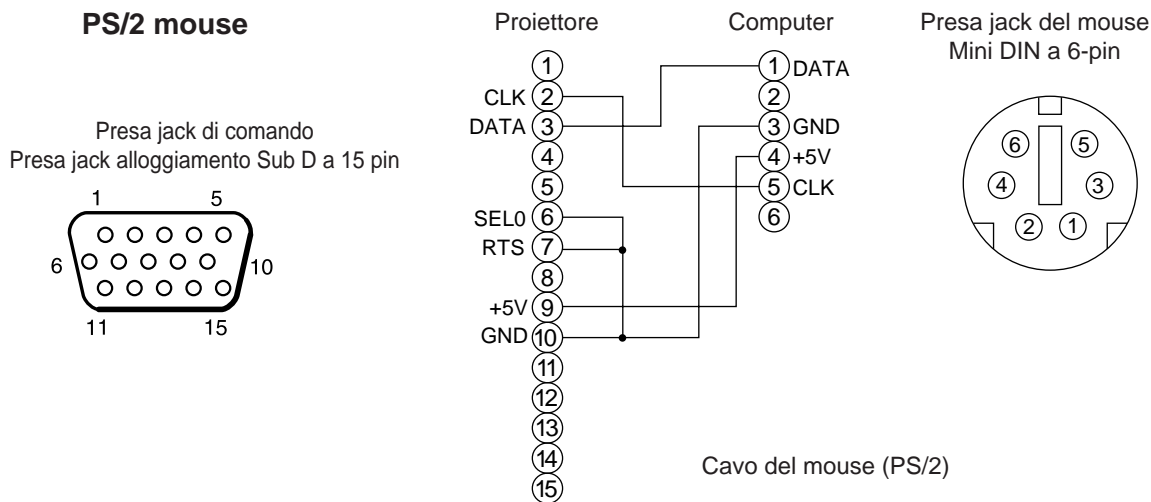
1. Funzioni del mouse

- (1) Attivare gli interruttori di alimentazione principale del proiettore e del computer e collegare le due unità utilizzando il cavo fornito in dotazione. Scollegare il cavo USB dal proiettore.
- (2) Attivare l'interruttore principale del proiettore (La spia dell'accensione si accende con luce verde).
- (3) Premere il tasto INPUT (INGRESSO) del proiettore o il tasto RGB del telecomando e selezionare l'ingresso cui il computer dovrà essere collegato.
- (4) Attivare l'alimentazione elettrica al computer.
- (5) Dare avvio alle funzioni del mouse.

Nel caso in cui il mouse non sia stato attivato, riavviare il computer (riavviamento da software o tramite tasto di riavviamento).

- (6) Per quanto riguarda le funzioni del telecomando, far riferimento alla pagina 10.

- (7) La variazione della forza con cui viene premuto il tasto DISK PAD incide sulla variazione della velocità delle funzioni del mouse.



Usare il cavo mouse fornito.

I cavi per mouse ADB (Apple), mouse Bus (NEC) e mouse seriale sono disponibili in via opzionale.

Attenzione

- Prima di eseguire le connessioni, leggere il manuale di istruzioni delle apparecchiature da collegare.
- Collegando il cavo del mouse ad alimentazione elettrica del computer attivata, potrebbe essere causa di malfunzionamenti.

Per il collegamento, usare il cavo mouse fornito con il computer o un cavo mouse opzionale.

- In caso di computer di tipo Notebook comprendente un dispositivo di puntamento incorporato, tipo sfera di controllo, in alcuni casi il dispositivo di puntamento incorporato avrà la priorità anche in caso di collegamento del mouse ed il mouse non potrà essere selezionato.

In questo caso, disabilitare il dispositivo di puntamento incorporato e variare le impostazioni BIOS (impostazione del sistema) in modo tale da poter selezionare un mouse esterno.

Dopo aver variato le impostazioni BIOS, eseguire le operazioni descritte ai punti (1) - (3) sopra riportati.

Per quanto riguarda le impostazioni BIOS, far riferimento al manuale dell'hardware del computer.

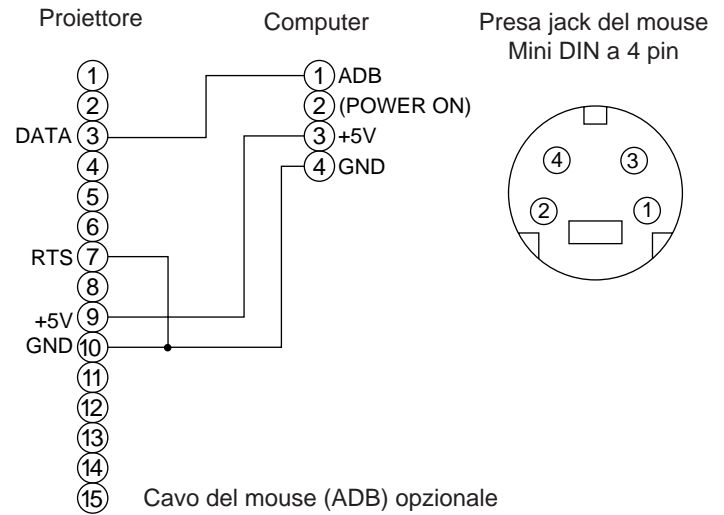
Inoltre, alcuni computer potrebbero non disporre di un programma di utilità atto all'azionamento del mouse. Far riferimento al manuale dell'hardware del computer.

Collegamento del morsetto del segnale di comando (segue)

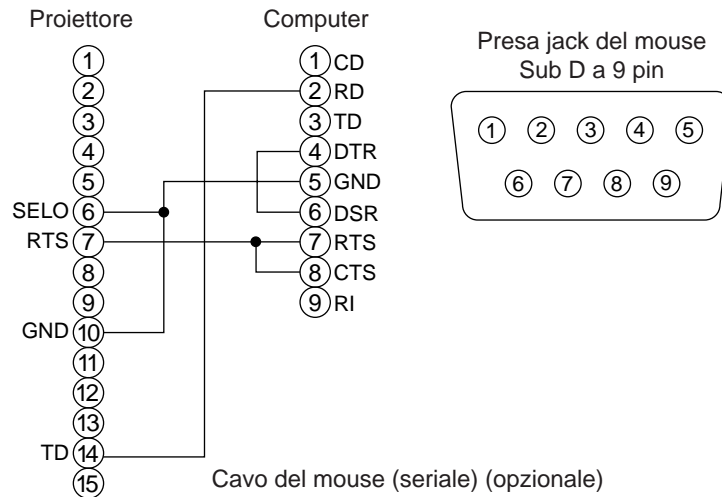
Presca jack del segnale di COMANDO

Nr. di pin	RS-232C	Mouse		
		PS/2	ADB	Serial
1				
2		CLK		
3		DATA	DATA	
4				
5				
6	SELO	SELO		SELO
7	RTS	RTS	RTS	RTS
8				
9		+5V	+5V	
10	GND	GND	GND	GND
11				
12				
13	RD			
14	TD			TD
15				

Mouse ADB (Mac)



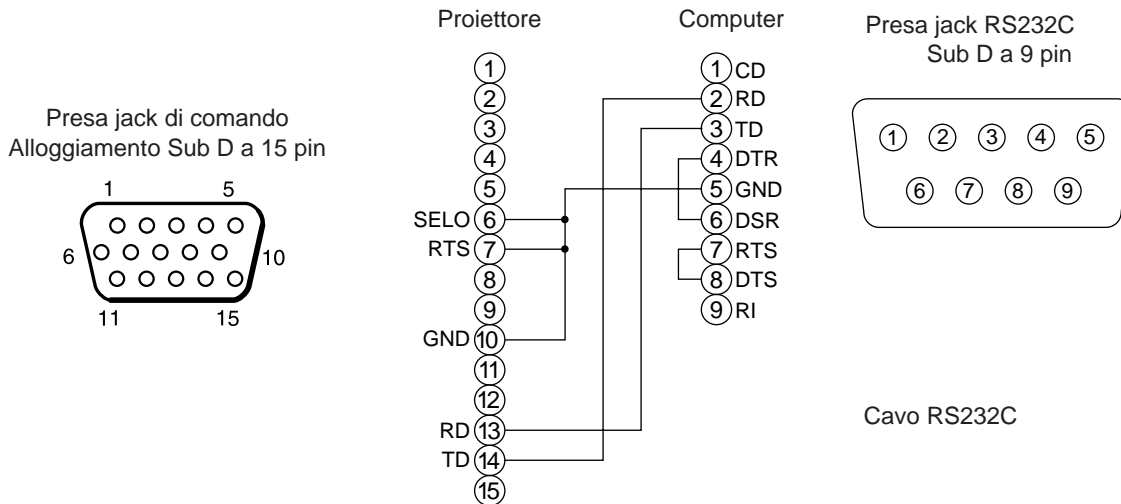
Mouse seriale



Collegamento del morsetto del segnale di comando (segue)

2. Comunicazione RS232C

- (1) Disattivare l'alimentazione elettrica al proiettore ed al computer e eseguire il collegamento utilizzando il cavo RS232C.
- (2) Attivare l'alimentazione elettrica al computer e, una volta avviato il computer, attivare l'alimentazione elettrica al proiettore.
- (3) Facendo riferimento alle pagine 21, impostare la velocità di comunicazione ed il numero di bit di comunicazione.
- (4) Avviare la comunicazione RS232C.



Comando	Proiettore→Computer			Computer→Proiettore						
	Codice di risposta			Codice di richiesta		Codice di impostazione		Codice di impostazione di default		
	1st	2nd	data	1st	2nd	1st	2nd	data	1st	2nd
MOUSE	11h	05h	+1	20h	05h	31h	05h	+1	40h	05h
COMUNICAZIONE	11h	06h	+1	20h	06h	31h	06h	+1	40h	06h
ALIMENTAZIONE (POWER)	11h	11h	+1	20h	11h	31h	11h	+1	---	---
ZOOM	11h	12h	+1	---	---	31h	12h	+1	---	---
MESSA A FUOCO (FOCUS)	11h	13h	+1	---	---	31h	13h	+1	---	---
SPECCHIO (MIRROR)	11h	14h	+1	20h	14h	31h	14h	+1	40h	14h
INGRESSO (INPUT)	11h	21h	+1	20h	21h	31h	21h	+1	40h	21h
SISTEMA (VIDEO)	12h	22h	+2	20h	22h	32h	22h	+2	40h	22h
VOLUME	11h	23h	+1	20h	23h	31h	23h	+1	40h	23h
ESCLUSIONE AUDIO (MUTE)	11h	24h	+1	20h	24h	31h	24h	+1	40h	24h
LUMINOSITA' (BRIGHT)	13h	31h	+3	20h	31h	33h	31h	+3	40h	31h
CONTRASTO (CONTRAST)	13h	32h	+3	20h	32h	33h	32h	+3	40h	32h
COLORE (COLOR)	13h	33h	+3	20h	33h	33h	33h	+3	40h	33h
TONALITA' (TINT)	13h	34h	+3	20h	34h	33h	34h	+3	40h	34h
NITIDEZZA (SHARPNESS)	13h	35h	+3	20h	35h	33h	35h	+3	40h	35h
FASE ORIZZONTALE (H.PHASE)	13h	37h	+3	20h	37h	33h	37h	+3	40h	37h
POSIZIONE ORIZZONTALE (H.POSIT.)	14h	38h	+4	---	---	34h	38h	+4	40h	38h
DIMENSIONE ORIZZONTALE (H.SIZE)	14h	36h	+4	---	---	34h	36h	+4	40h	36h
POSIZIONE VERTICALE (V.POSIT)	14h	3Ah	+4	---	---	34h	3Ah	+4	40h	3Ah
BILANCIAMENTO COLORE R (COLOR BALANCE R)	13h	3Bh	+3	20h	3Bh	33h	3Bh	+3	40h	3Bh
BILANCIAMENTO COLORE B (COLOR BALANCE B)	13h	3Dh	+3	20h	3Dh	33h	3Dh	+3	40h	3Dh
REGOLAZIONE AUTOMATICA (AUTO ADJUST)	11h	3Ch	+1	20h	3Ch	31h	3Ch	+1	40h	3Ch
SOPPRESSIONE IMMAGINE (BLANK)	11h	41h	+1	20h	41h	31h	41h	+1	40h	41h
INGRANDIMENTO (MAGNIFY)	11h	15h	+1	20h	15h	31h	15h	+1	40h	15h
FERMO IMMAGINE (FREEZE)	11h	16h	+1	20h	16h	31h	16h	+1	40h	16h

Collegamento del morsetto del segnale di comando (segue)

Grafico dei dati di comando

Particolare	Codice del dato
MOUSE	00h=unzione mouse disabilitata, Fh (frequenza di sincronizzazione) 01 - 7=abilitazione funzione mouse
COMUNICAZIONE	0Xh=8N1, 1Xh=7N1 X0h=1200bps, X1h=2400bps, X2h=4800bps, X3h=9600bps, X4h=19200bps
ALIMENTAZIONE (POWER)	3Eh=alimentazione disattivata (stato di attesa), 3Fh (frequenza di sincronizzazione) = alimentazione attivata.
ZOOM	01 - 3 Fh (frequenza di sincronizzazione) = Zoom +, Fh (frequenza di sincronizzazione) 41 - 7 = Zoom -
MESSA A FUOCO (FOCUS)	01 - 3 Fh (frequenza di sincronizzazione) = Messa a fuoco +, Fh (frequenza di sincronizzazione) 41 - 7 = Messa a fuoco -
SPECCHIO (MIRROR)	00h=Normale, 01h=H: inversione, 02h=V: inversione, 03h=H & V: inversione
INGRESSO (INPUT)	11h=VIDEO, 21h=RGB1, 22h=RGB2
SISTEMA(VIDEO)	00h 00h=Auto, 00h 01h=NTSC, 00h 04h=NTSC4. 43 00h 02h=PAL, 00h 03h=SECAM, 00h 05h=M-PAL, 00h 06h=N-PAL
VOLUME	00h (basso volume) - 24h (volume alto)
ESCLUSIONE AUDIO (MUTE)	00h=esclusione audio disattivata, 01h=esclusione audio attivata
LUMINOSITA' (BRIGHT)	00h 00h 00h (scura) - 00h 00h 24h (luminosa)
CONTRASTO	00h 00h 00h (basso) - 00h 00h 24h (forte)
COLORE	00h 00h 00h (debole) - 00h 00h 24h (intenso)
TONALITA' (TINT)	00h 00h 00h (delicata) - 00h 00h 24h (verdastra)
NITIDEZZA (SHARPNESS)	00h 00h 00h (delicata) - 00h 00h 24h (nitida)
FASE O. (H.PHASE)	00h 00h 00h - 00h 00h 24h
POSIZIONE ORIZZONTALE (H.POSIT)	00h 00h 00h 01h (a destra) si sposta di una fase 00h 00h 00h 7Fh (frequenza di sincronizzazione) (a sinistra) si sposta di una fase
DIMENSIONE ORIZZONTALE (H.SIZE)	00h 00h 00h 01h (ampia) si sposta di due fasi 00h 00h 00h 7Fh (frequenza di sincronizzazione) (ridotta) si sposta di due fasi
POSIZIONE ORIZZONTALE (V.POSIT)	00h 00h 00h 01h (verso l'alto) si sposta di una fase 00h 00h 00h 7Fh (frequenza di sincronizzazione) (verso il basso) si sposta di una fase
BILANCIAMENTO COLORE R (COLOR BALANCE R)	00h 00h 00h (rosso chiaro) - 00h 00h 24h (rosso scuro)
BILANCIAMENTO COLORE B (COLOR BALANCE B)	00h 00h 00h (blu chiaro) - 00h 00h 24h (blu scuro)
REGOLAZIONE AUTOMATICA	00h (REGOLAZIONE AUTOMATICA (riproduzione))
SOPPRESSIONE IMMAGINE (BLANK)	0Xh=Soppressione immagine disattivata, 1Xh=soppressione immagine attivata. X=8 Nero, X=9 Blu, X=F Bianco
INGRANDIMENTO (MAGNIFY)	00h=visualizzazione normale, 01h=zoom di ingrandimento o rapporto di aumento grandezza immagine 7Fh=zoom di diminuzione grandezza immagine
FERMO IMMAGINE (FREEZE)	00h=visualizzazione normale, 01h=visualizzazione immagine ferma

La configurazione dei codici di comando è composta da un comando a 2 byte e dai seguenti dati.

- Il primo byte di un comando indica il tipo di comando con 3 bit sul lato MSB e sulla lunghezza del dato; con 4 bit sul lato LSB.

Proiettore-computer	Computer-Proiettore
'0xH' : Codice errore	'2xH' : codice richiesta
'1xH' : Codice risposta	'3xH' : codice impostazione
'70H' : codice errore fotogramma	'4xH' : codice impostazione di default
'x' iindica la lunghezza del dato (esempio: x=2 significa un comando a 2 byte).	
- Il secondo byte di un comando indica il contenuto del comando.

Collegamento del morsetto del segnale di comando (segue)

Richiesta dello stato del proiettore

- (1) Inviare il codice di richiesta '20H' + 'yyH' al computer al proiettore.
- (2) Il proiettore rinvia al computer il codice di risposta '1xH' + 'yyH' +dati.

Variazione delle impostazioni del proiettore

- (1) Inviare il codice di impostazione '3xH' + 'yyH' +i dati dal computer al proiettore.
- (2) Il proiettore varia le impostazioni in base al suddetto codice di impostazione.
- (3) Il proiettore risponde al computer con il codice di risposta '1xH' + 'yyH' +dati.

Attenzione

Non è necessario che i dati di risposta riportati al punto (3) sopra descritto corrisponda ai dati di impostazioni riportati al punto (1).

Per esempio, nel caso in cui il proiettore non possa impostare i dati di impostazione riportati al punto (1), il proiettore potrebbe eseguire l'impostazione secondo il valore che più si avvicina. Tale valore sarà utilizzato allo stesso modo dei dati di risposta di cui al punto (3). Oppure, il proiettore risponderà con il codice di errore '0xH' + 'yyH' +dati.

Utilizzo delle impostazioni di default del proiettore

- (1) Il computer invia al proiettore il codice di impostazione di default '40H' + 'yyH'.
- (2) Il proiettore varia le impostazioni specificate in base i valori di default.
- (3) Il proiettore rinvia il valore di default, tramite il codice di risposta '1xH' + 'yyH' =dati.

Nel caso in cui un comando inviato dal proiettore non sia compreso dal computer.

- (1) TIl computer invia al proiettore il codice di comando '3xH' , '4xH' or '4xH' + 'yyH' +dati.
- (2) Nel caso in cui il comando inviato dal proiettore non sia compreso dal computer, il computer risponderà con il comando di errore: '00H' + 'yyH'.

Nel caso in cui i dati inviati dal proiettore non siano compresi

- (1) Il computer invia al proiettore il codice di comando '3xH' , '4xH' o '4xH' + 'yyH' +dati.
- (2) Nel caso in cui il comando inviato dal proiettore non sia compreso, il computer rinvierà il codice di errore '0xH' + 'yyH' +dati.

Nel caso in cui la lunghezza dei dati sia superiore a quanto indicato nel codice di lunghezza dati, il proiettore ignorerà il codice dei dati in eccesso.

Al contrario, nel caso in cui la lunghezza dei dati sia inferiore a quanto indicato nel codice di lunghezza dati, il proiettore riceverà una risposta includente il codice di errore.

Nel caso in cui si verifichi un errore di fotogramma

10 ripetizioni al secondo, finché non vi sia una risposta al codice di errore 70H + 70H.

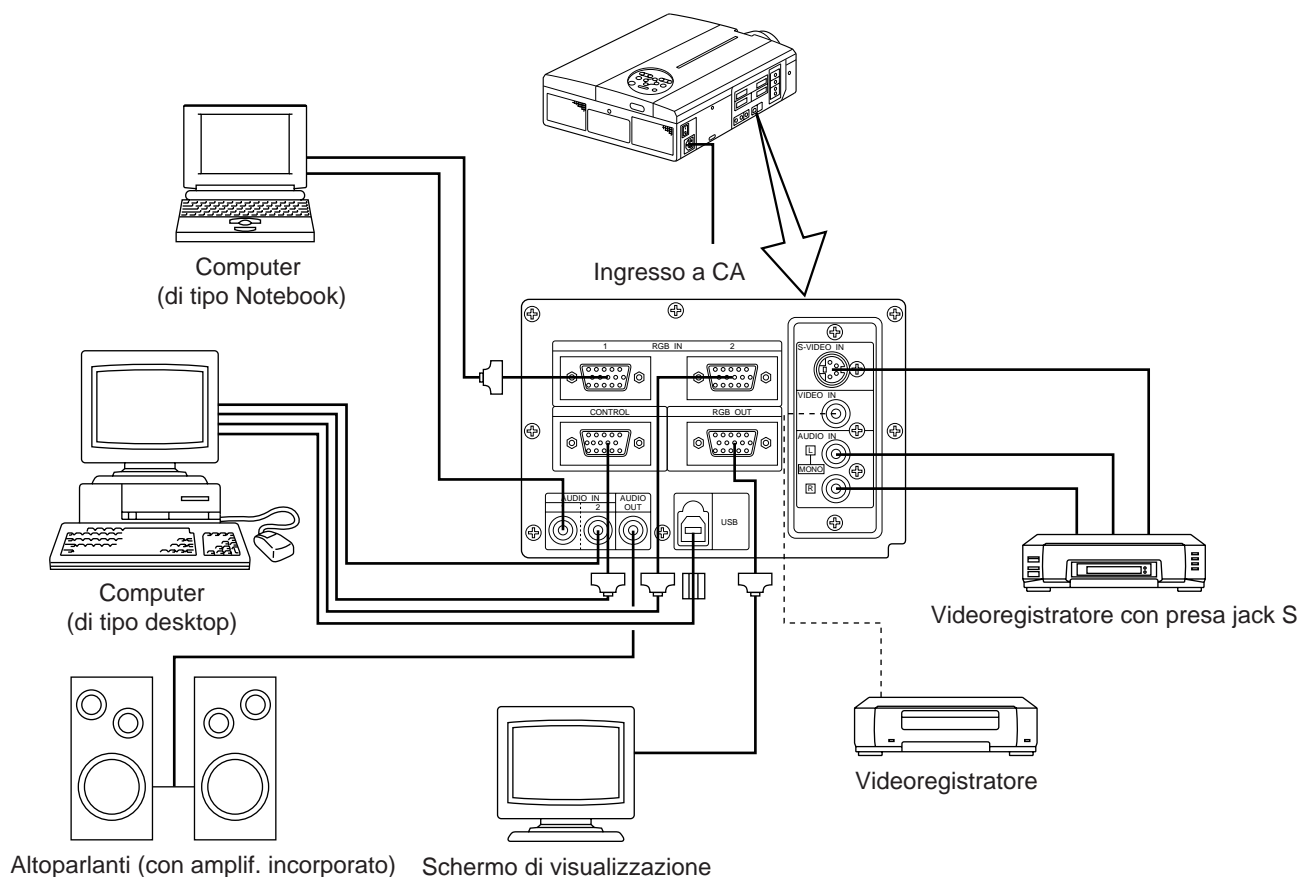
Nel caso in cui l'intervallo tra i byte in un comando sia pari a 500ms o superiore.

Nel caso in cui un comando o dei dati non siano inviati entro 500ms a seguito del codice di comando '2xH' , '3xH' o '4xH' inviato dal computer, si riceverà il comando di errore '70H' + '70H' non appena trascorso l'intervallo di 500ms. A seguito di questo, nel caso in cui non vi sia una risposta entro 1 sec., si verificherà un errore di fotogramma.

Attenzione

- Non è possibile garantire il funzionamento nel caso in cui il proiettore riceva un comando o dei dati indefiniti.
- Prevedere un intervallo pari ad almeno 40ms tra il codice di risposta e qualsiasi altro codice.

Esempio di impostazione del sistema



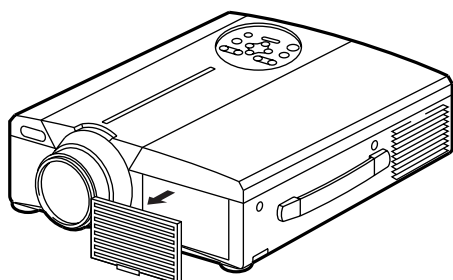
Attenzione Prima di iniziare, disattivare tutti i dispositivi.
Prima di iniziare, far riferimento al manuale di istruzioni di ogni dispositivo.

Pulizia del filtro dell'aria

Pulire il filtro dell'aria ogni 100 ore.

1 Disattivare l'interruttore dell'alimentazione elettrica al proiettore ed estrarre il cavo di alimentazione.

2 Rimuovere il filtro dell'aria anteriore



Pulizia del filtro dell'aria (segue)

3 Pulizia del filtro dell'aria con un'aspirapolvere

4 Installazione del filtro

Attenzione

Nel caso in cui il filtro dell'aria risulti ostruito da polvere, ecc., l'alimentazione al proiettore potrebbe disattivarsi in modo tale da evitare un incremento della temperatura interna. (Il colore della spia della lampada cambia in rosso).

Non azionare il proiettore nel caso in cui il filtro sia stato rimosso. (Se si usa senza filtro dell'aria, è possibile che entri polvere nel pannello LCD e che produca effetti nocivi sulla qualità dell'immagine.)

Lampada

La lampada, sorgente di luce, ha una determinata durata utile.

Quando utilizzata per un lungo periodo, le immagini potrebbero diventare più scure ed i colori potrebbero deteriorarsi.

L'utilizzo del proiettore in tali condizioni potrebbe essere causa di malfunzionamenti; sostituire pertanto la lampada.

La spia luminosa seguente o un messaggio visualizzato al momento dell'attivazione dell'alimentazione elettrica, fornirà indicazioni circa il momento in cui sia necessario sostituire la lampada.

In tal caso, procedere alla sostituzione della lampada. Per quanto riguarda la sostituzione della lampada, Vi preghiamo contattare BOXLIGHT.

Attenzione

Anche quando la lampada arriva a un'alta temperatura, è possibile interrompere l'alimentazione del proiettore per prevenire un aumento eccessivo della temperatura all'interno del proiettore. (L'indicatore POWER si spegne.) Disattivare l'interruttore MAIN POWER, attendere circa 20 minuti e riattivare l'interruttore MAIN POWER. Se il proiettore non recupera dopo che si è attivato l'interruttore MAIN POWER, contattare BOXLIGHT.

Tabella messaggi

Visualizzazioni a video

I seguenti messaggi vengono visualizzati a video

SOSTITUIRE LA LAMPADA. "CONTATTARE IL PERSONALE ADDETTO ALLA MANUTENZIONE"	Il tempo totale d'utilizzo effettivo della lampada è prossimo a quello di durata di servizio. Sostituirla con una lampada nuova. La lampada si spegne automaticamente una volta che è passato il tempo di sostituzione della lampada. *1
"SOSTITUIRE LA LAMPADA" "CONTATTARE IL PERSONALE ADDETTO ALLA MANUTENZIONE" "L'ALIMENTAZIONE ELETTRICA SI DISATTIVERA' DOPO * ore"	Il tempo totale d'utilizzo effettivo della lampada è prossimo a quello di sostituzione. Dopo (*) ore la lampada si spegnerà. Provvedere rapidamente alla sostituzione. *1 *Indica il numero di ore prima che la lampada si spenga automaticamente.
Lampeggio del messaggio "SOSTITUIRE LA LAMPADA"	Il tempo totale d'utilizzo effettivo della lampada ha superato quello di sostituzione. La spia lampeggia per circa 10 minuti e poi si spegne automaticamente. Sostituirla con una lampada nuova.
NESSUN INGRESSO RIVELATO	Non vi è presenza di alcun ingresso di segnale (far riferimento alle pagine 22-23).
SINCRONIZZAZIONE FUORI CAMPO	La frequenza di corrente orizzontale e verticale non può essere utilizzata dal proiettore (far riferimento alle pagine 23-24).

*1 La visualizzazione sparirà dopo 3 minuti, per riapparire nel momento in cui l'alimentazione elettrica sarà riattivata.

Tabella messaggi (segue)

Indicatori

L'indicatore di ALIMENTAZIONE, la spia luminosa e l'indicatore della TEMPERATURA si illumineranno o lampeggeranno nei casi seguenti:

Indicatore di ALIMENTAZIONE	Indicatore di LAMPADA	Indicatore di TEMPERATURA	Condizione	Elaborazione
Si illumina in arancione	Si spegne	Si spegne	Stato di attesa	_____
Lampeggia in verde	Si spegne	Si spegne	Allarme	_____
Si illumina in verde	Si spegne	Si spegne	Stato funzionamento *1	_____
Lampeggia in arancione	Si spegne	Si spegne	Raffreddamento	_____
Si illumina in rosso	Si illumina in rosso	Si spegne	La lampada non si accende *2 L'interno è troppo caldo.	Attendere qualche minuto (circa 20 min.) prima di riattivare l'alimentazione elettrica. Pulire il filtro dell'aria prima di accendere il proiettore. Se l'indicatore è ancora acceso, contattare il proprio rivenditore di fiducia.
Si illumina in rosso	Lampeggia in rosso	Si spegne	Non è stata inserita una lampada oppure manca il coperchio della lampada.	Contattare BOXLIGHT.
Si illumina in rosso	Si spegne	Lampeggia in rosso	La ventola di raffreddamento non funziona.	Contattare BOXLIGHT.
rossoLampeggia in rosso	Lampeggia in rosso	Si spegne	Il tempo totale d'utilizzo effettivo della lampada ha superato quello di sostituzione.	Contattare BOXLIGHT.

Nel caso in cui l'indicatore LAMPADA o TEMPERATURA si illumini o lampeggi, prima di avviare qualsiasi operazione, disattivare l'interruttore dell'ALIMENTAZIONE PRINCIPALE. Nel caso in cui il problema persista, contattare BOXLIGHT.

*1: Nel caso in cui la ventola di raffreddamento non funzioni e la parte interna si surriscaldi, l'alimentazione si disattiverà automaticamente ai fini del raffreddamento (l'indicatore si spegnerà). In tali casi, disattivare l'alimentazione al proiettore, lasciar raffreddare, quindi riattivare l'alimentazione al proiettore. La lampada si illuminerà. Nel caso in cui la lampada non si illuminasse, contattare BOXLIGHT.

*2: In alcuni casi, quando i fori di immissione aria sono bloccati e la temperatura interna si è rialzata, la lampada si spegnerà automaticamente e l'indicatore LAMPADA lampeggerà in rosso. In tali casi, disattivare l'interruttore dell'ALIMENTAZIONE PRINCIPALE, lasciar raffreddare (per circa 20 minuti), quindi riattivare l'alimentazione.

Manutenzione

Prima di richiedere assistenza ai fini della riparazione, verificare, attenendovi alla tabella seguente, la possibilità di ovviare al problema, quindi contattare BOXLIGHT.

Sintomo	Causa probabile	Azione correttiva	Pagina
L'alimentazione elettrica non è stata attivata	<ul style="list-style-type: none"> L'interruttore dell'alimentazione elettrica non è stato attivato. Il cavo di alimentazione non è ben sistemato. 	<ul style="list-style-type: none"> Attivare l'interruttore dell'alimentazione elettrica. Inserire il cavo di alimentazione nella presa di corrente a CA 	P.13 P.9
Assenza di video o audio	<ul style="list-style-type: none"> L'ingresso non è correttamente impostato Non vi è presenza di alcun ingresso di segnale 	<ul style="list-style-type: none"> Effettuare l'impostazione utilizzando il proiettore o il telecomando. Collegare in modo adeguato 	P.8,10, 13,19 P.9,31
Il video è funzionante, ma vi è assenza di audio	<ul style="list-style-type: none"> Il proiettore non è adeguatamente collegato. Il volume è impostato al minimo. E' attivata la funzione di esclusione audio. Quando la funzione P in P (Immagine nell'immagine) è attivata, ha luogo la commutazione da Audio a RGB. 	<ul style="list-style-type: none"> Collegare in modo adeguato Premere VOLUME + sul telecomando o visualizzare la schermata del menu, quindi regolare il volume. Premere il tasto ESCLUSIONE AUDIO (MUTE). Visualizza la barra di regolazione del volume e commuta l'ingresso Audio. 	P.9,31 P.10,18 P.8,10 P.10
L'audio è funzionante, ma vi è assenza di video.	<ul style="list-style-type: none"> Il proiettore non è collegato adeguatamente La manopola per la regolazione della luminosità è completamente ruotata in senso orario. Il coperchio è ancora sull'obiettivo. 	<ul style="list-style-type: none"> Collegare in modo adeguato Selezionare LUMINOSITA' (BRIGHT) tramite il tasto MENU, quindi premere il tasto (▶) Togliere il coperchio dall'obiettivo. 	P.9,31 P.17 P.13
I colori sono deboli e la simulazione dei colori è scarsa.	La densità e la simulazione dei colori non sono correttamente regolate.	Regolare il video	P.18
Le immagini sono scure	<ul style="list-style-type: none"> La luminosità ed il contrasto non sono regolati in modo adeguato La durata della lampada si sta esaurendo. 	<ul style="list-style-type: none"> Regolare il video. Sostituire con una nuova lampada. 	P.18 P.32
Il video è sfuocato.	La messa a fuoco o la FASE ORIZZONTALE (H.PHASE) non rientrano nei valori di regolazione.	Regolare la messa a fuoco o la FASE ORIZZONTALE (H.PHASE).	P.13,18
L'indicatore LAMPADA si illumina in rosso.	Lampada non funzionante.	Attendere circa 20 minuti, quindi riattivare l'alimentazione elettrica.	P.33
	Surriscaldamento interno.	<ul style="list-style-type: none"> Verificare che le aperture per la ventilazione non siano bloccate. Pulire il filtro dell'aria. Abbassare la temperatura ambiente a 35 gradi C o inferiore. 	P.31,32

Sull'immagine si potrebbe notare un punto di luminosità. Si tratta di un fenomeno connesso ai cristalli liquidi che non rappresenta un problema.

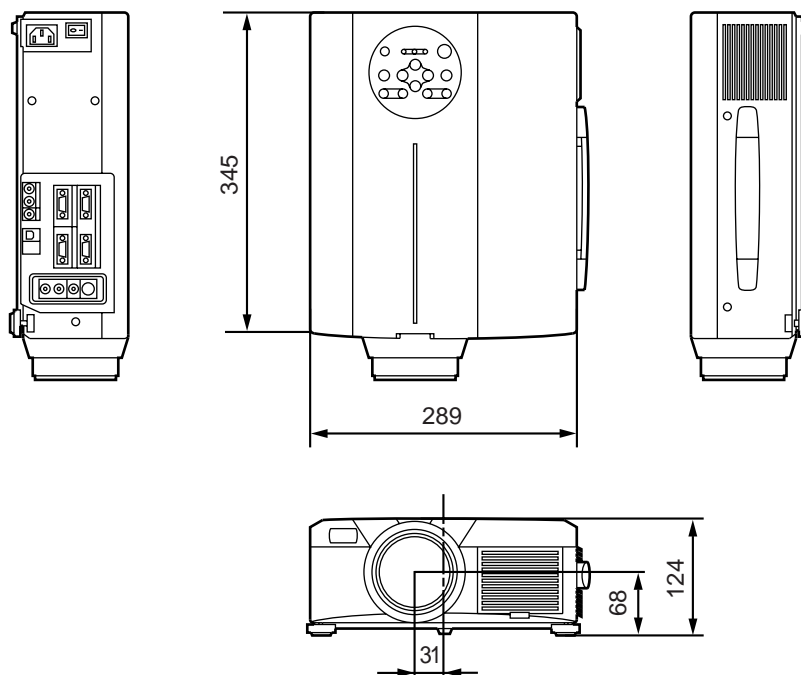
Dati caratteristici

· Questi dati caratteristici sono soggette a variazioni, senza preavviso.

Nome del prodotto		Proiettore a cristalli liquidi
Modello		MP-650i
Metodo di visualizzazione		Tre pannelli a cristalli liquidi, tre sistemi colore primari.
Pannello a cristalli liquidi.	Dimensioni del pannello.	3,3 cm (tipo 1,3)
	Sistema di comando.	Matrice attiva TFT
	Numero di pixel	786.432 pixel (1.024 orizzontali x 768 verticali)
Obiettivo		Obiettivo zoom F=1,7 - 2,3 l=49 - 64 mm
Lampada		190w UHB
Altoparlante		1,2W + 1,2W (Stereo)
Alimentazione elettrica		AC100 - 120V, 3,7A / AC220 - 240V, 1,5A.
Potenza assorbita		320W
Campo della temperatura d'esercizio		0 ~ 35°C
Dimensione		289 (W) × 124 (H) × 345 (D)
Peso (massa)		5,9 kg
Prese jack dell'ingresso del segnale VIDEO		S VIDEO: Presa jack mini DIN a 4 pin VIDEO: presa jack RCA AUDIO: presa jack RCA
Prese jack ingresso/uscita segnale RGB		Segnali RGB: Presa jack adattamento Sub D a 15 pin Audio: Minipresa jack stereo
Presa jack del segnale di COMANDO (CONTROL)		Presa jack adattamento Sub D a 15 pin
Spinotto a jack USB		Tipo B

Schema dimensionale

Unità di misura: mm



Garanzia e servizio assistenza

GARANZIA LIMITATA

BOXLIGHT CORPORATION (“BOXLIGHT”) garantisce che ciascun proiettore Boxlight MP-650i (da qui in avanti, “il Prodotto”) venduto è conforme e funziona secondo le specifiche dichiarate da BOXLIGHT. Detta garanzia limitata è valida solo per la prima persona o ente giuridico che acquista il Prodotto per uso personale o per affari e non per rivendita o distribuzione. Detta garanzia ha una durata di due (2) anni a partire dalla data di acquisto. BOXLIGHT non garantisce che il prodotto è conforme alle specifiche necessità della prima persona o ente giuridico che acquista il Prodotto per uso personale o per affari. La lampada è garantita 120 giorni.

La responsabilità BOXLIGHT CORPORATION in caso d’incrinatura della presente garanzia limitata è limitata alla riparazione o alla sostituzione del Prodotto, o al rimborso del prezzo di acquisto del Prodotto, a discrezione unica di BOXLIGHT. Per poter esercitare i diritti di Acquirente del Prodotto sotto questa garanzia, bisogna che l’Acquirente si faccia carico di costo e spese di restituzione del Prodotto a BOXLIGHT o a un centro di assistenza tecnica autorizzato e accompagni il Prodotto con una lettera scritta che spieghi il problema e che includa (i) prova d’acquisto, (ii) nome del rivenditore, (iii) modello e numero di serie del Prodotto. Inoltre, sulla parte esterna del cartone di spedizione contenente il Prodotto, deve essere chiaramente visibile un numero di autorizzazione emesso dalla divisione BOXLIGHT di assistenza tecnica ai clienti.

LIMITAZIONE E ESCLUSIONE DELLA GARANZIA

Sotto la presente garanzia limitata, BOXLIGHT CORPORATION declina ogni responsabilità se il Prodotto è stato danneggiato a causa di maltrattamento, cattivo uso, negligenza, incidente, sollecitazione meccanica o elettrica superiore al limite tollerabile, modifiche non autorizzate, manomissioni, cambiamenti o intervento di assistenza tecnica non eseguito da BOXLIGHT o da un centro di assistenza tecnica autorizzato, o per cause che risalgono a un uso del Prodotto diverso da quello normale, o da un utilizzo improprio nell’applicazione a cui detto Prodotto è stato designato.

NEGAZIONE RESPONSABILITÀ O GARANZIE

La garanzia stampata sopra è l’unica garanzia valida per questo acquisto.

Vengono negate tutte le altre garanzie espresse o implicite, incluse, ma non limitate a, le garanzie implicite o la commerciabilità e l’idoneità a uno scopo particolare. Non ci sono altre garanzie oltre quelle qui espresse e la presente garanzia non potrà essere in alcun modo estesa, modificata o cambiata salvo che con dichiarazione scritta e firmata da BOXLIGHT CORPORATION.

LIMITAZIONE O RESPONSABILITÀ

È da considerarsi compreso e inteso che la responsabilità di BOXLIGHT secondo contratto, illecito civile, sotto qualsiasi garanzia, per negligenza o altro, non potrà comunque andare oltre il rimborso della somma pagata per l’acquisto del Prodotto dall’acquirente e in nessun caso BOXLIGHT sarà responsabile per danni particolari, indiretti o consequenziali. Il prezzo specificato per il Prodotto è una considerazione per quanto riguarda la limitazione della responsabilità di BOXLIGHT. Nessuna azione, a prescindere dalla forma, derivante da accordo di acquisto del Prodotto, può essere avanzata da un acquirente dopo un anno da quando la causa dell’azione si è verificata.



Boxlight
19332 Powder Hill Place
Poulsho, Wa 98370-7407 USA
www.boxlight.com
tel (U.S. e Canada): 800-762-5757
tel (altri paesi): 360-779-7901

